

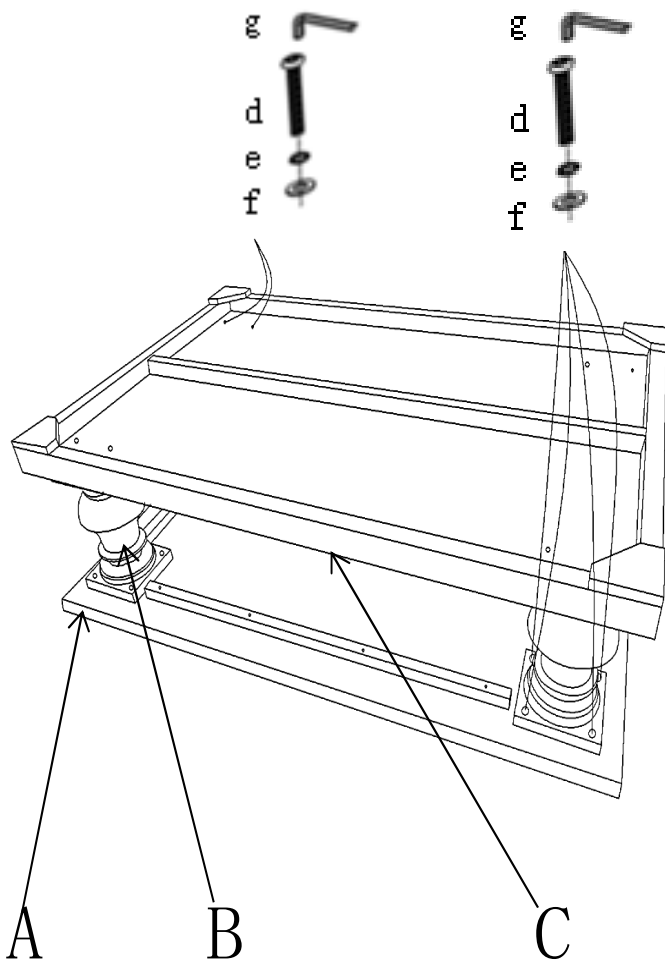
# UTTERMOST

## ASSEMBLY INSTRUCTIONS

ITEM NO: 50384

### Parts List

A	Table Top	1pc	E	Spring Washer	24pcs
B	Table Leg	4pcs	F	Flat Washer	24pcs
C	Table Bottom	1pc	G	Allen Wrench	1pc
D	Bolt	24pcs			



1. Take all parts carefully out of carton and place on a soft, flat surface to be sure no parts are missing or damaged. **NOTE: When assembling, install all bolts before securing any one bolt.**

2. Place the Table Top (A) upside down on a flat, soft surface. Place Table Legs (B) onto Table Top (A). Lay Table Bottom (C) onto the four Legs once all are in place. Be sure the two holes at one side of the Legs match the two holes on Table Bottom (C).

3. With all Legs and Table Bottom in place, install all Bolts (D), Spring Washers (E), and Flat Washers (F). **DO NOT FULLY TIGHTEN until all hardware is in place.**

4. Once ALL hardware is in place use the provided Allen Wrench to fully tighten ALL hardware.

5. Turn the table upright and the assembly is complete.

To Clean, wipe with soft dry cloth.