

# UTTERMOST

## ASSEMBLY INSTRUCTIONS

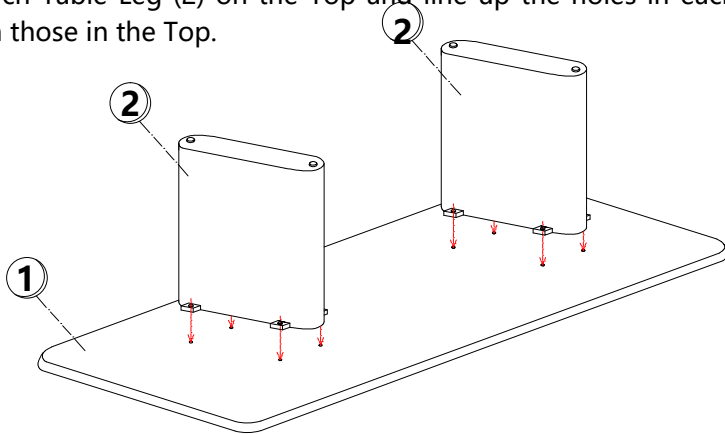
ITEM.: 50392

Page 1 of 1

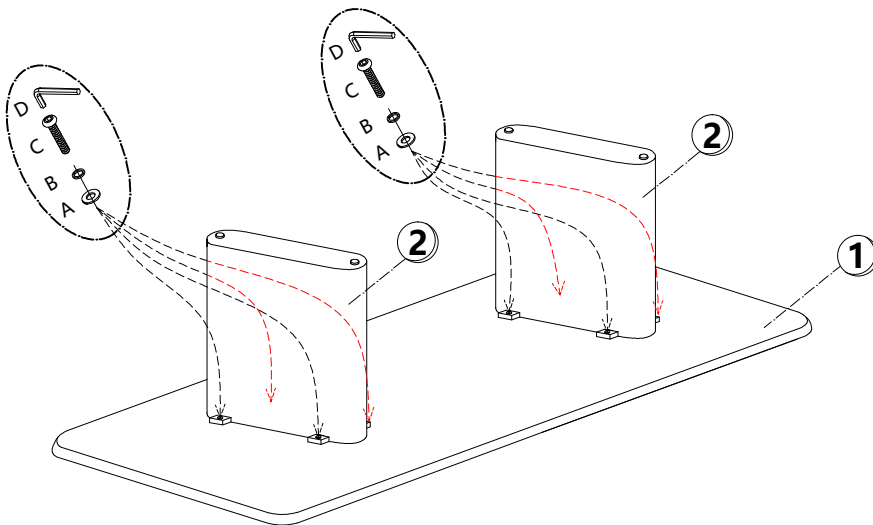
**Step 1** Take all parts carefully out of the carton and place on a flat, soft surface to be sure no parts are missing or damaged.

**When assembling, install all bolts before securing any one bolt.**

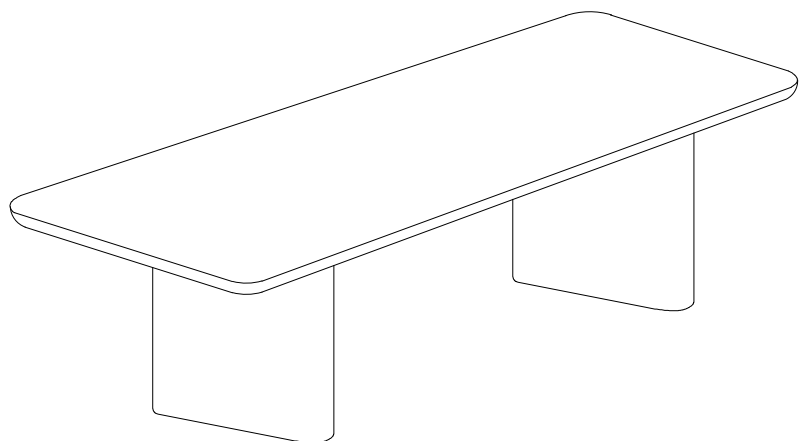
**Step 2** Place Table Top (1) upside down on a flat, soft surface. Place each Table Leg (2) on the Top and line up the holes in each Leg with those in the Top.





**Step 3** Install all bolts and washers to each Leg as shown in the diagram below - hand-threading only. **NOTE: Do not tighten any bolts until all hardware has been added.** Once all bolts and washers are in place, fully tighten using the provided Allen Wrench (D).







**Step 4** Turn the table upright. Assembly is complete.



### PART LIST

NO.	DESCRIPTION	QTY
1	Table top 	1 Set
2	Table legs 	2 Pcs

### HARDWARE

A	Flat washer 	8 pcs
B	Lock washer 	8 pcs
C	Bolt 	8 pcs
D	Allen wrench 	1 pc

**Notice:** To Clean, wipe with soft dry cloth.