





UTTERMOST



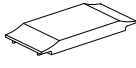
ASSEMBLY INSTRUCTIONS

STYLE: 51131

Hardware list

NO	DRAWING	DESCRIPTION	SIZE	Q'TY
A		Bolt	Ø1/4**3/4"	16pcs
B		Lock washer	Ø1/4"	16pcs
C		Flat washer	Ø1/4**16mm	16pcs
D		Allen wrench	4mm	1pc

Parts list

①		TOP	1pc
②		SHELF	1pc
③		LEG	4pcs

