

If you have any questions or problems assembling your fixture please call us for assistance. Customer Service:(702)361-4345 or (800)525-2655, [customer.services@kalco.com](mailto:customer.services@kalco.com)

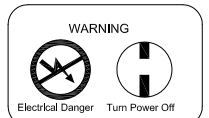
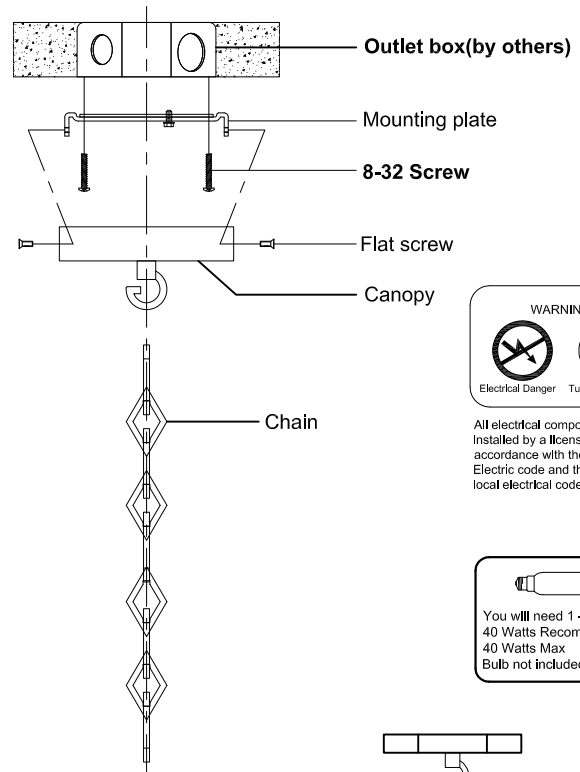
**WARNING - TO REDUCE THE RISK OF FIRE OR INJURY:**

- 1.If you are unfamiliar with electrical wiring, call a qualified electrician to install this unit. More than one person may be necessary to install fixture, make sure you have enough qualified help.
- 2.Turn off the power to the fixture's circuit at the service panel. Use a voltage detector to verify that the power is off.
- 3.DO NOT install bulb which exceeds the maximum wattage specified on the socket label.
- 4.This product must be installed in accordance with the applicable installation code by a person familiar with the construction and operation of the product and the hazards involved.

**INSTALL CANOPY AS FOLLOWS (FIG. 1):**

**CAUTION:** Be sure power is off at the main breaker box prior to installation.

1. Attach mounting plate to electrical box using 2 8-32 machine screws.
2. Follow the wiring diagram below to connect the main wire with the power supply.
3. Fix the canopy to the mounting plate using the provided flat screws.
4. Install (1) E12 T8 bulb. Do not use a bulb that exceeds 40 Watts.

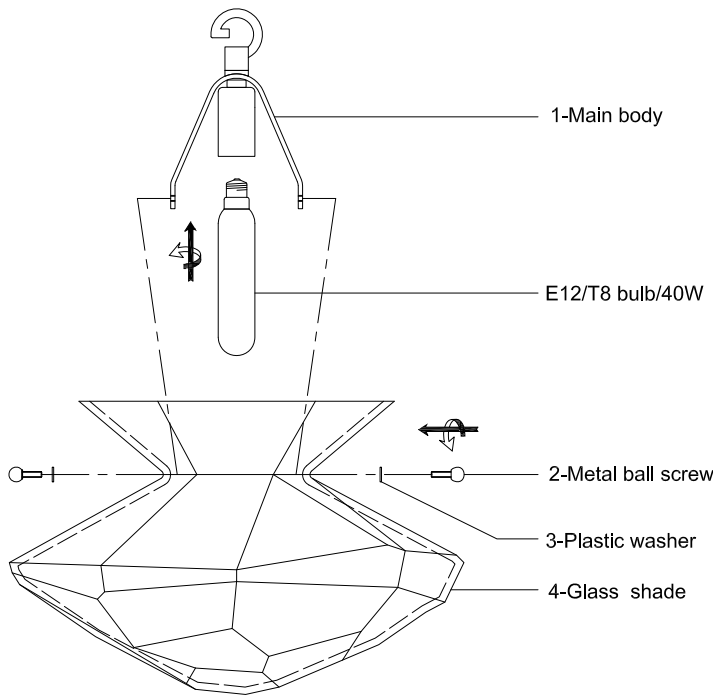


All electrical components must be installed by a licensed electrician in accordance with the National Electric code and the appropriate local electrical codes.

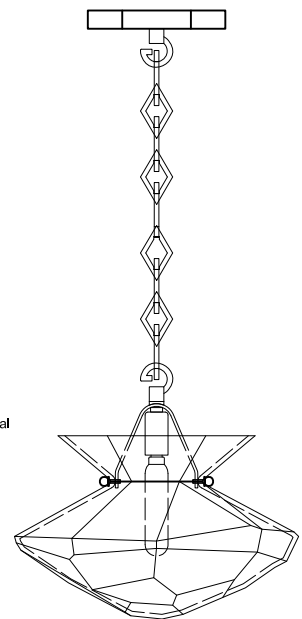
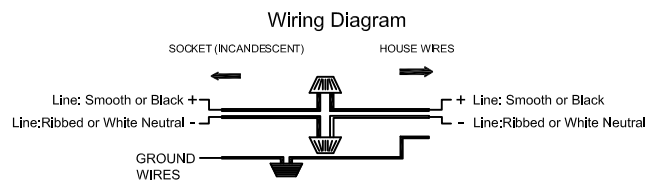


You will need 1 - Cand. Bulbs  
40 Watts Recommended  
40 Watts Max  
Bulb not included

(FIG. 1)



(FIG. 2)



(FRONT VIEW)

**GLASS SHADE INSTALLATION(FIG. 2):**

1. Insert the metal ball screw into the plastic washer.
2. Raise the glass shade up to the main body and screw onto the glass frame holder using the metal ball screws.