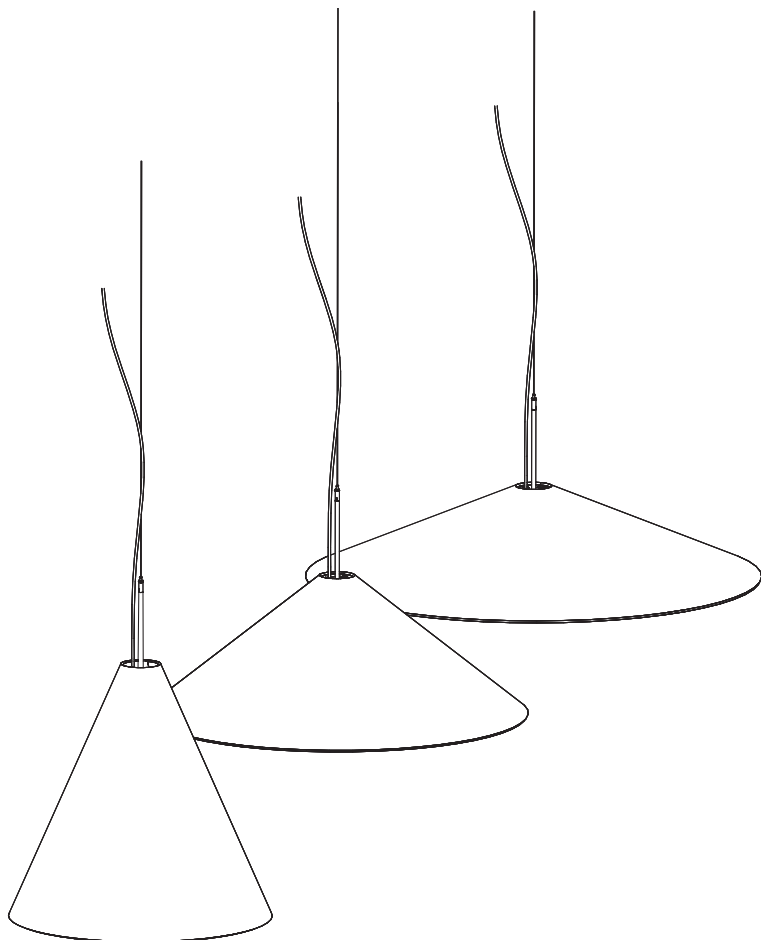


BuzziCone

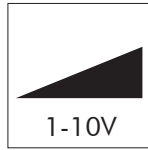
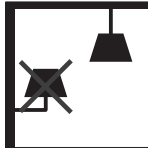
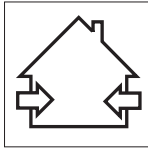
INSTALLATION MANUAL

MODE DE L'EMPLOI

100V-240V/277V

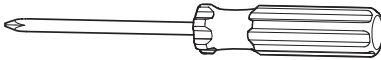
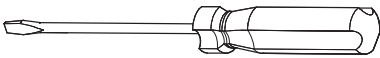


Technical info

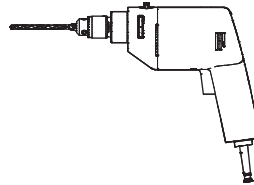
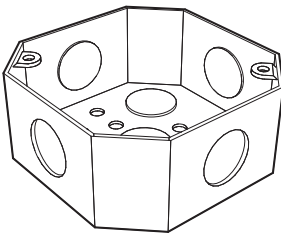


⚠ The light source of this luminaire is not replaceable; when the light source reaches its end of life the whole luminaire shall be replaced.

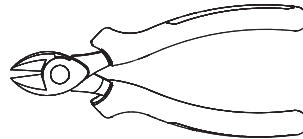
Excluded



2x 



1x 

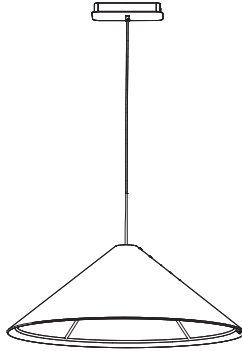


Included (separately)

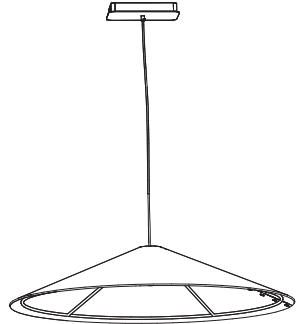
47



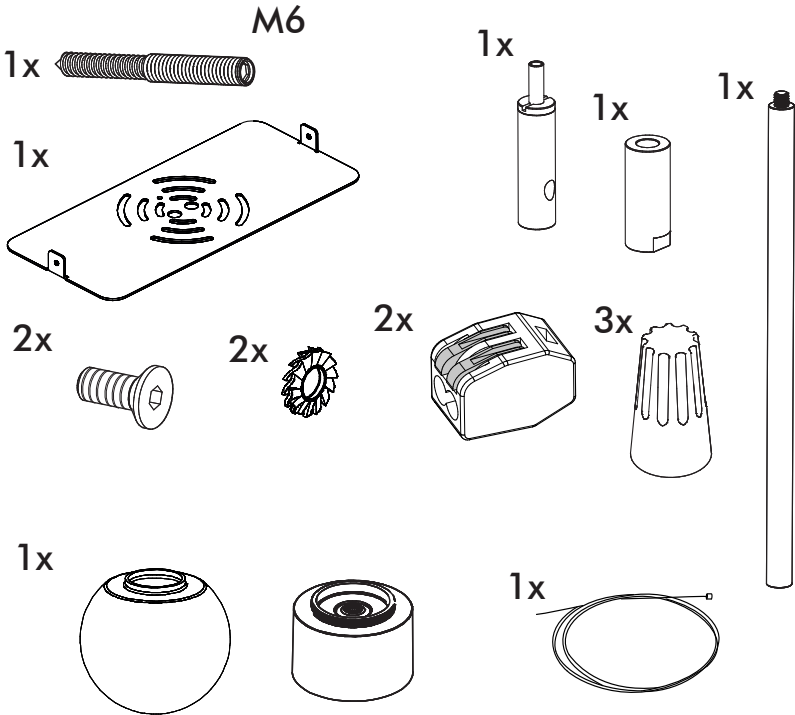
102



133



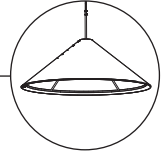
Included



Globe or Spot

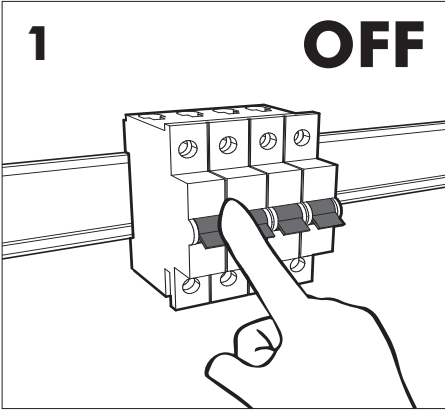
BuzziCone

2 PERS. 

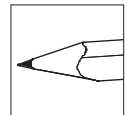
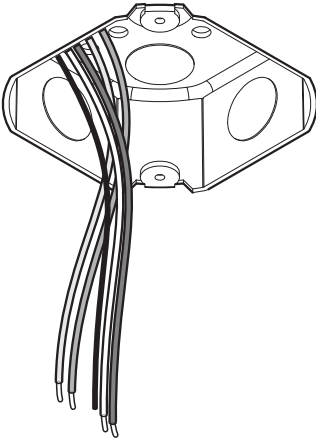


1

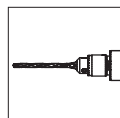
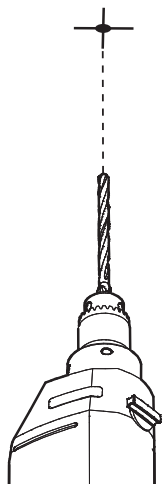
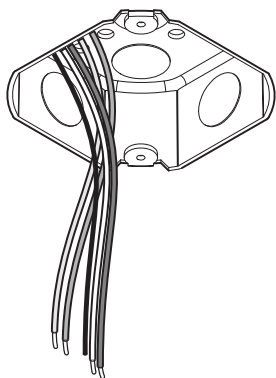
OFF



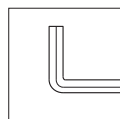
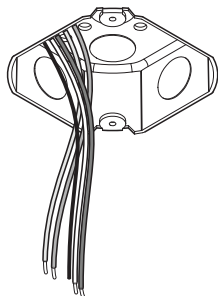
2

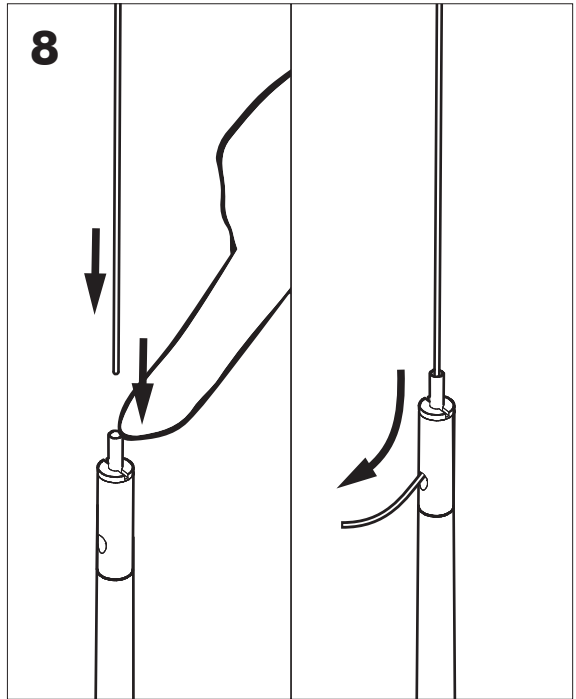
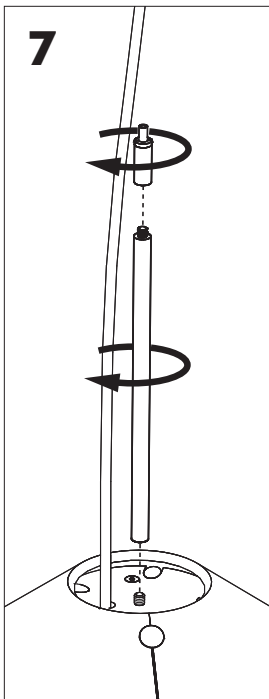
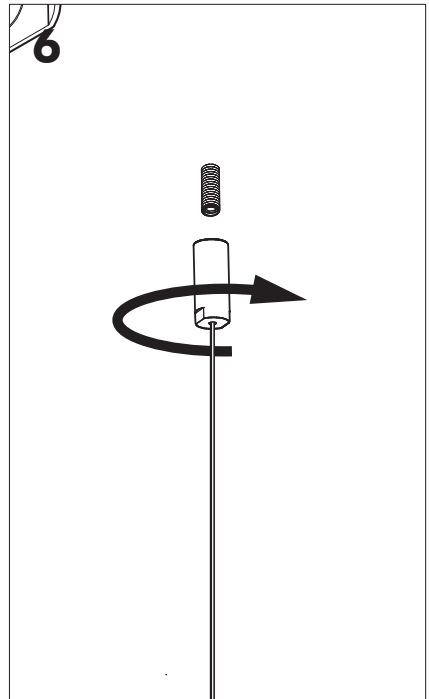
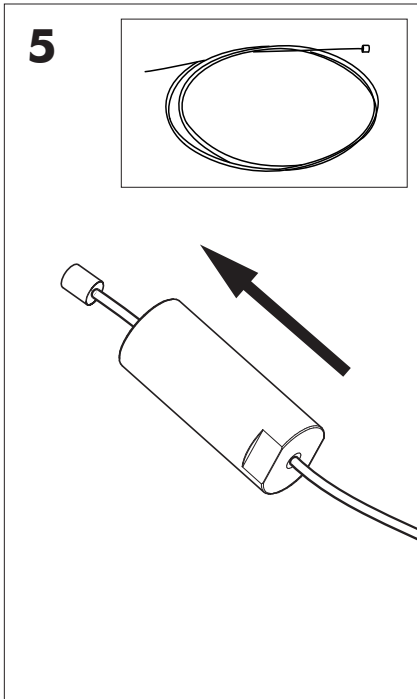


3

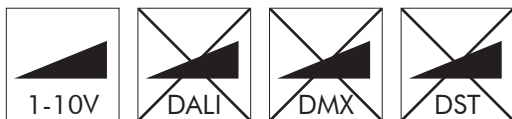


4

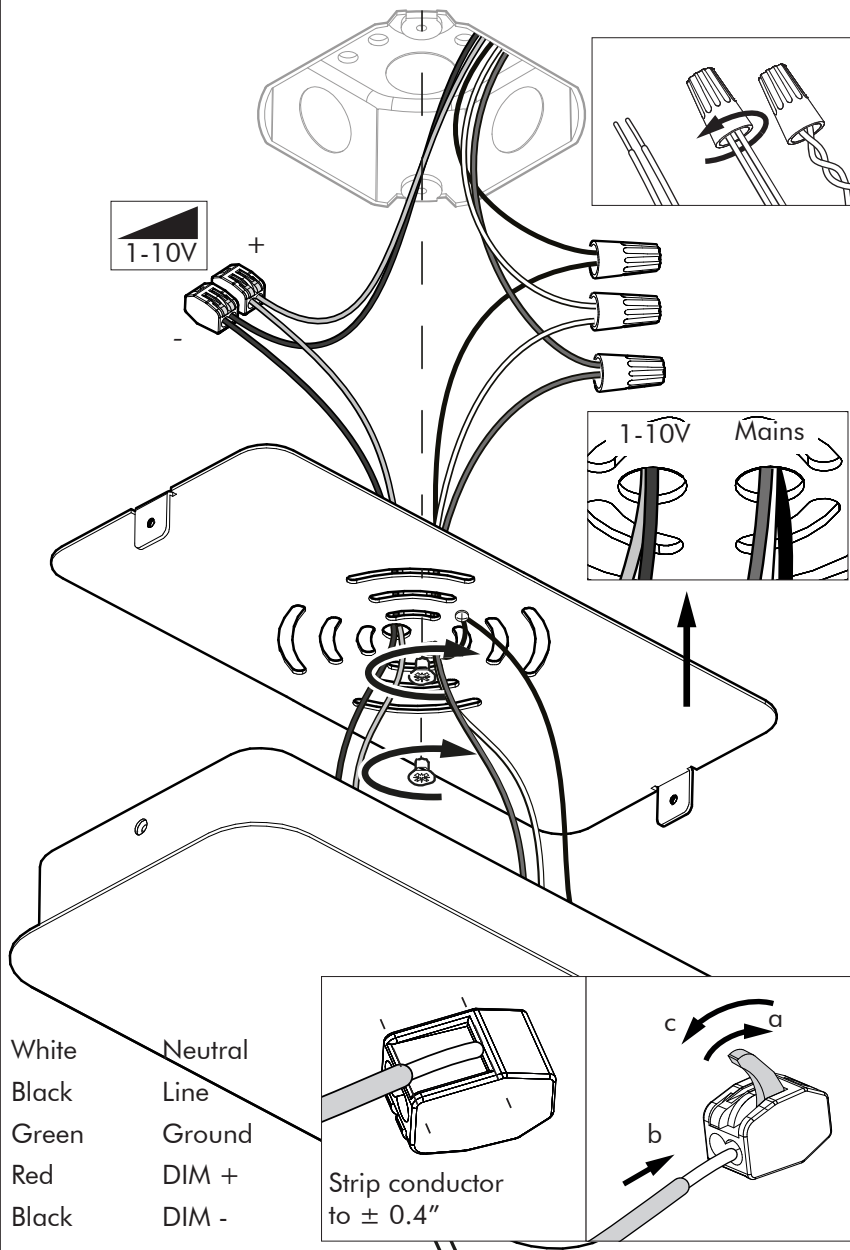




9a



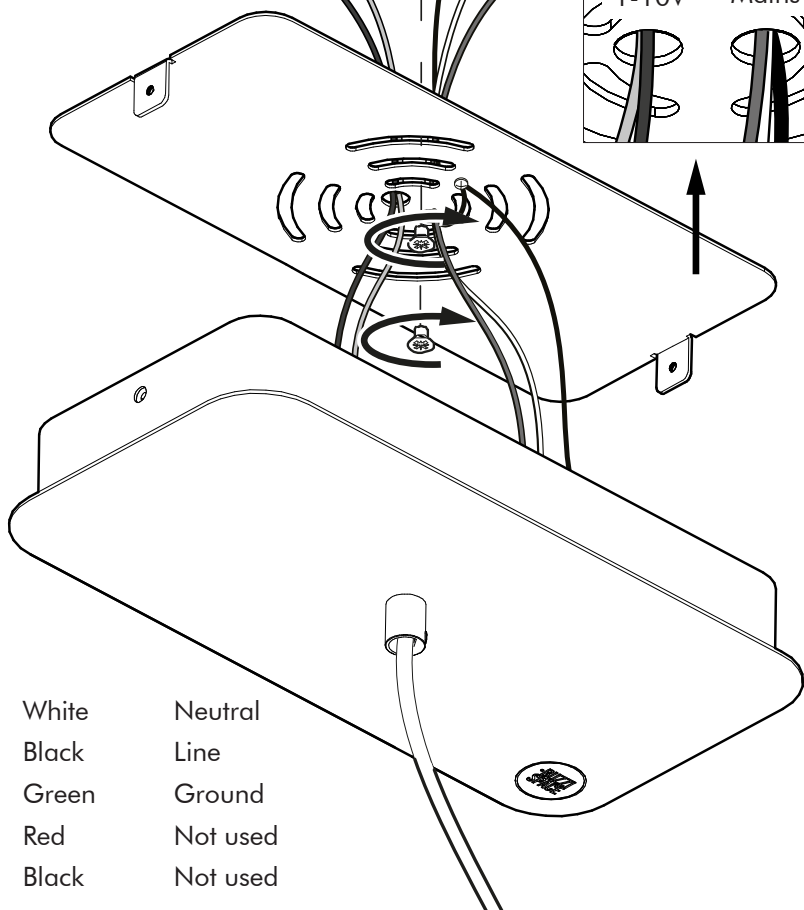
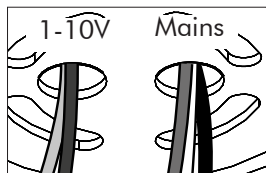
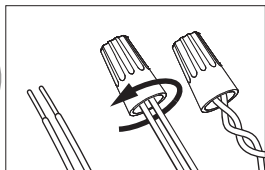
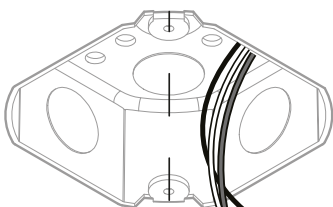
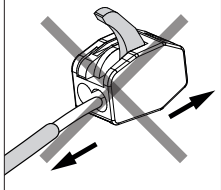
Connection including dimmable function



9b

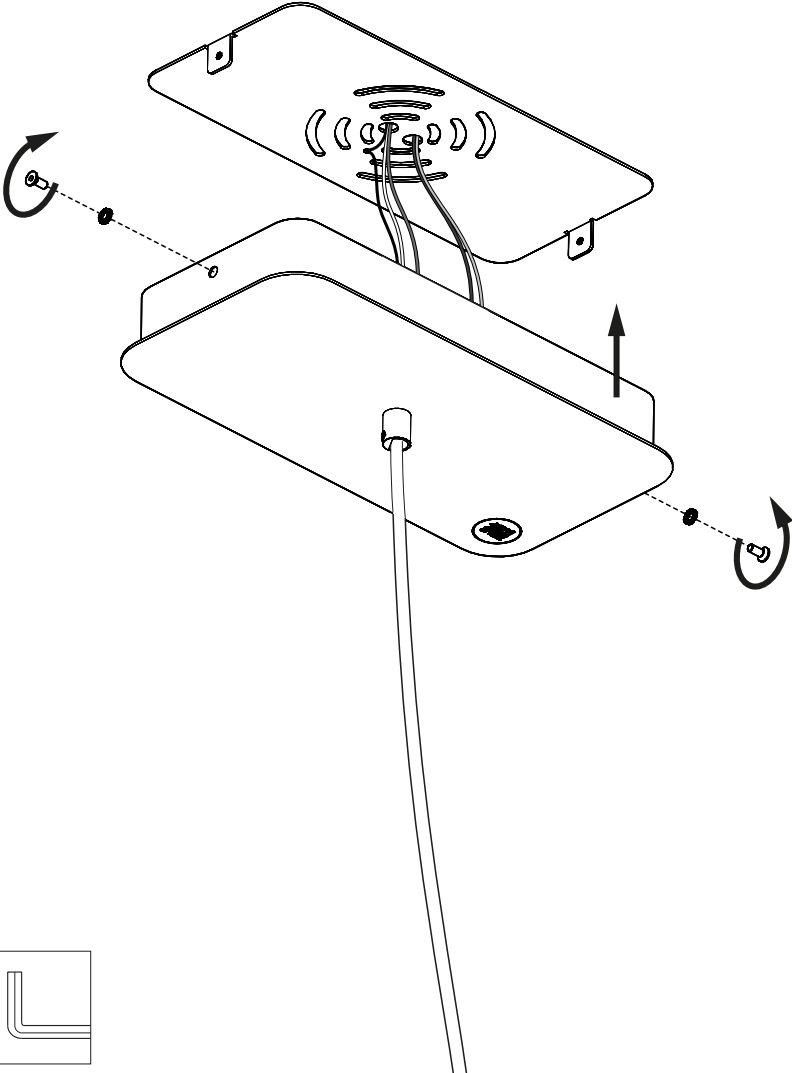
Connection excluding dimmable function

Do not remove!

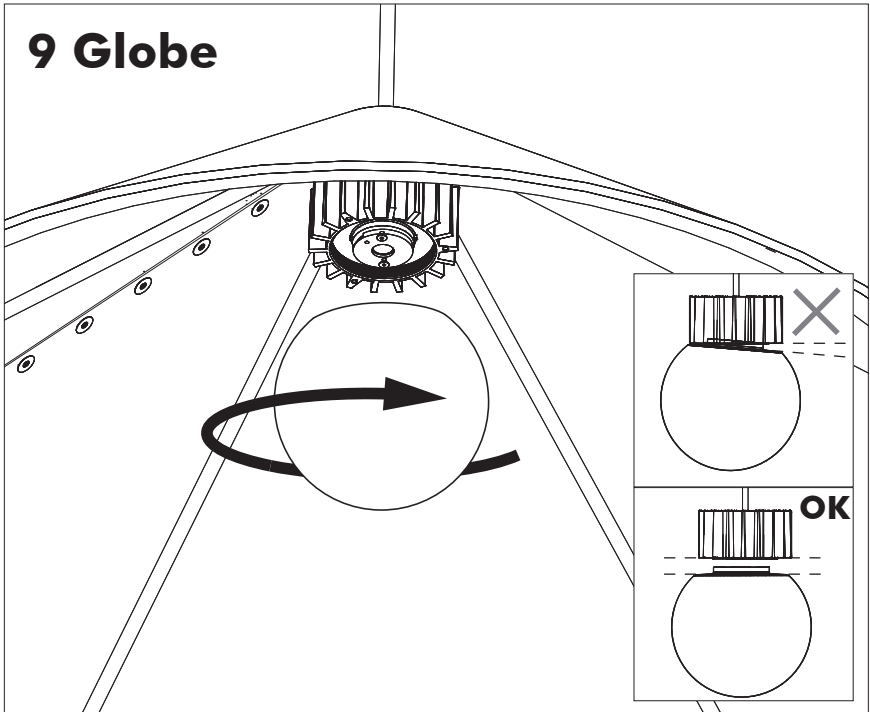


White	Neutral
Black	Line
Green	Ground
Red	Not used
Black	Not used

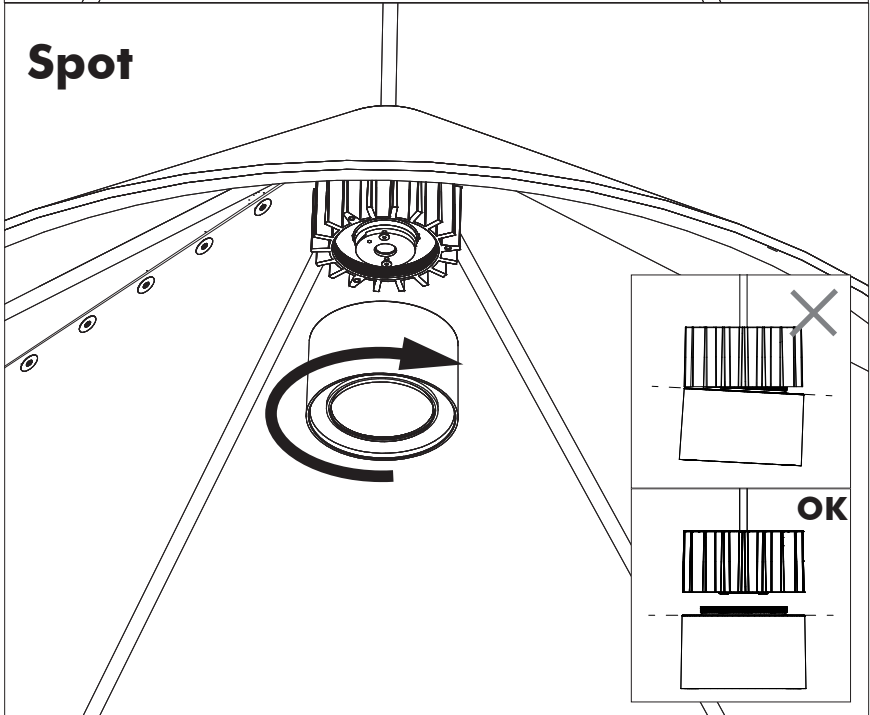
10



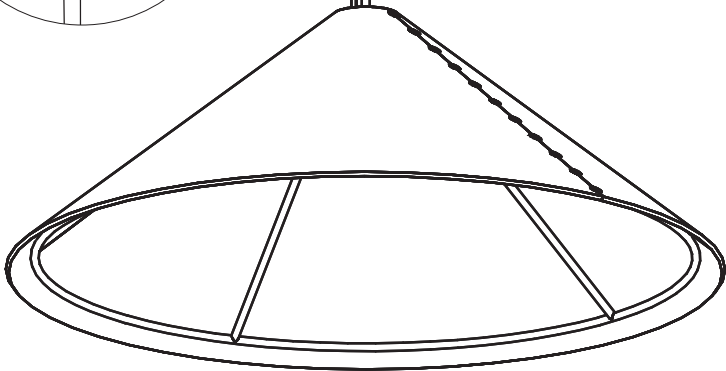
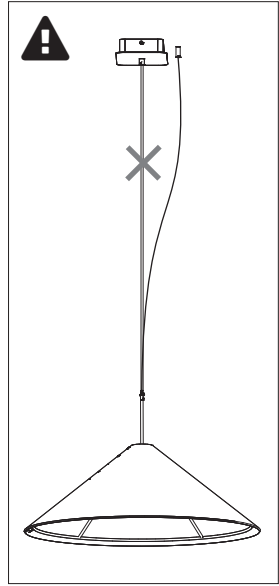
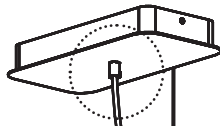
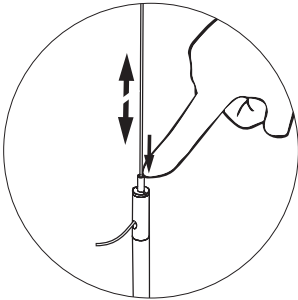
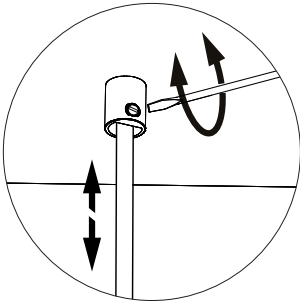
9 Globe



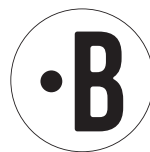
Spot



!



BuzziSpace
Groeningenlei 141
2550 Antwerp, Kontich
Belgium
☎ +32 (0)3 846 10 00
✉ info@buzzi.space
🌐 www.buzzi.space



A-0000006981/02
Last update: 17/02/2021