

INSTALLATION INSTRUCTIONS

Model 596PHMS;596PHBS

FOR YOUR SAFETY WARNING: BE SURE THE ELECTRICITY TO THE WIRES YOU ARE WORKING ON IS SHUT OFF; EITHER THE FUSE IS REMOVED OR THE CIRCUIT BREAKER IS SHUT OFF.

CAUTION: THE PRODUCT SHOULD BE INSTALLED BY A QUALIFIED ELECTRICIAN THAT IS AWARE OF THE CONSTRUCTION AND OPERATION OF THE PRODUCT AND THE HAZARDS INVOLVED

GENERAL You don't need special tools to install this fixture. Be sure to follow the steps in the order given. Under no circumstances should a fixture be hung on house electrical wires, nor should a swag type fixture be installed on a ceiling which contains a radiant type heating system. Read instructions carefully. If you are unclear as to how to proceed, consult a qualified electrician.

NOTE: Proper wiring is essential for the safe operation of this fixture.

MOUNTING THE FIXTURE (Fig. 1)

1. Shut off the power at the circuit breaker and remove the old fixture including the mounting hardware.
2. Carefully unpack your new fixture and lay out all the parts on a clear area. Take care not to lose any small parts necessary for installation.

Wiring instruction

3. If you are replacing an existing fixture, remove and disconnect the old fixture
4. Exposed the wires from the post or the pier mount supporting the fixture, to make the wire connection
5. Connect the Black wire from the fixture to the black (hot) supply wire from the post or the pier mount; connect the White wire from the fixture to the white (neutral) wire from the post or the pier mount, Connect the ground wire from the fixture to the ground wire from the post or the pier mount. Make sure all wire nuts are secured as per **Fig 2**. You may wrap the connections with electrical tape.
6. tuck them carefully inside the post or the pier mount.
7. Place the fixture post fitter (A) onto the post or the pier mount, and secure with the 3 mounting screws (B)

COMPLETING THE INSTALLATION (Fig. 1)

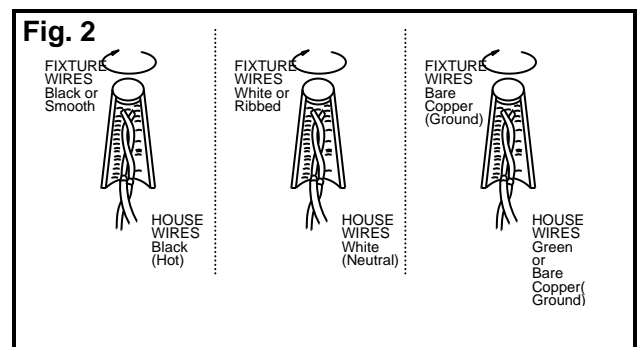
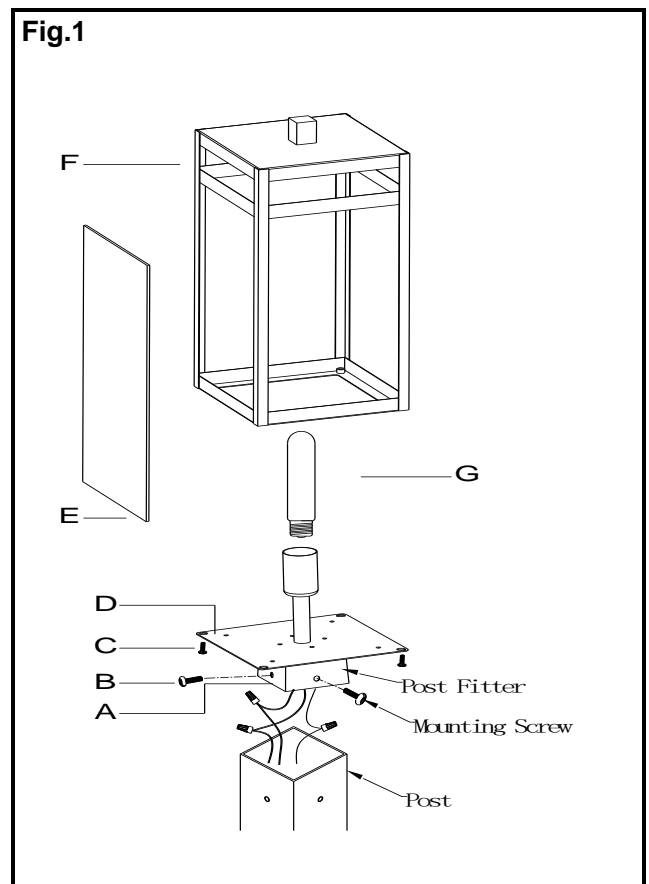
5. Install glass panel(E). (Fig.3)

Insert the glass panel(E) into the slot in the top edge of the cage (F), secure the glass panel (E) by pressing the cage tabs onto the bottom edge of the glass panel.

6. Install the bulb (G not provided) into E26 Medium base in accordance with the fixture's specification.
7. Place the cage (F) back to the pedestal (D) secured with mounting screws (C).

DO NOT EXCEED THE MAXIMUM WATTAGE RATING!

Your installation is now complete. Return power to the junction box and test the fixture



INSTALLATION INSTRUCTIONS

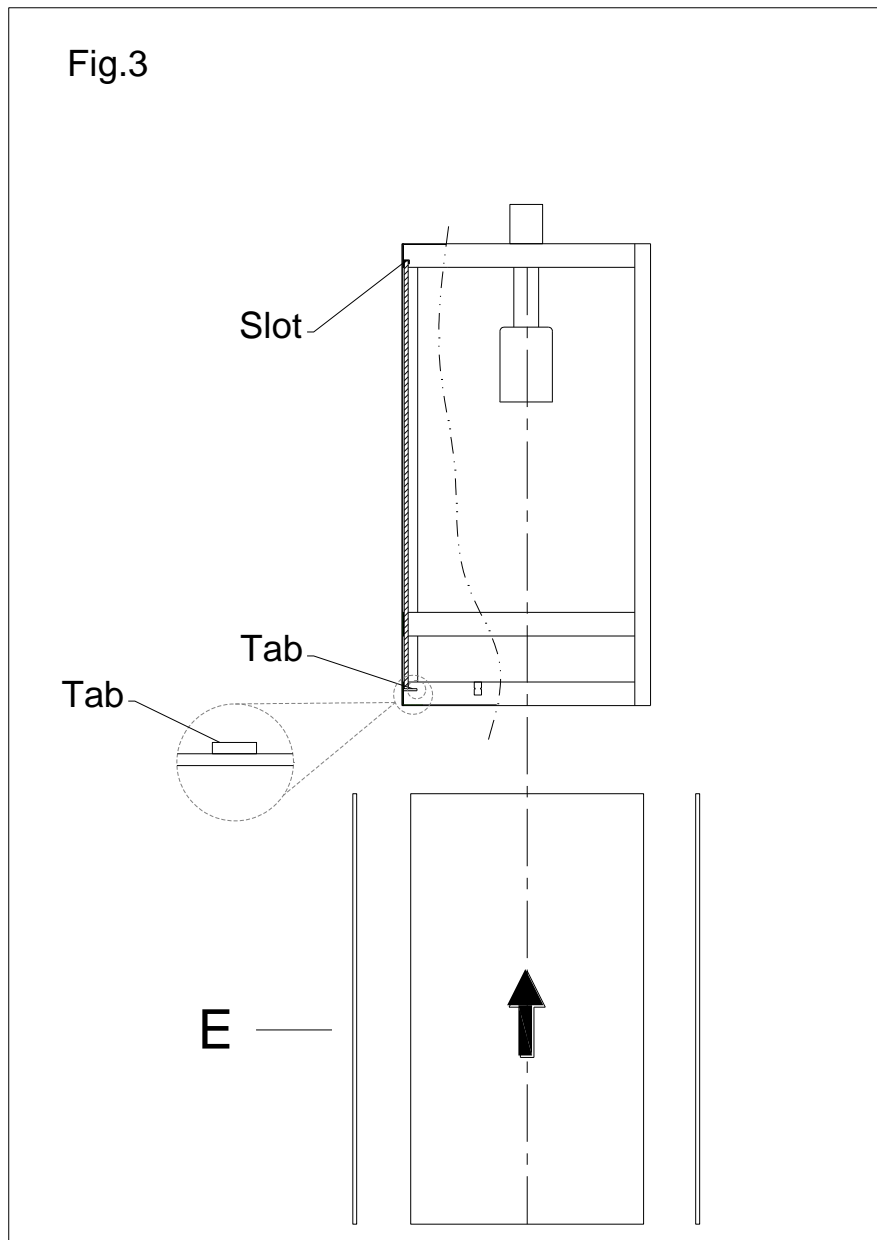
Model 596PHMS;596PHBS

FOR YOUR SAFETY WARNING: BE SURE THE ELECTRICITY TO THE WIRES YOU ARE WORKING ON IS SHUT OFF; EITHER THE FUSE IS REMOVED OR THE CIRCUIT BREAKER IS SHUT OFF.

CAUTION: THE PRODUCT SHOULD BE INSTALLED BY A QUALIFIED ELECTRICIAN THAT IS AWARE OF THE CONSTRUCTION AND OPERATION OF THE PRODUCT AND THE HAZARDS INVOLVED

GENERAL You don't need special tools to install this fixture. Be sure to follow the steps in the order given. Under no circumstances should a fixture be hung on house electrical wires, nor should a swag type fixture be installed on a ceiling which contains a radiant type heating system. Read instructions carefully. If you are unclear as to how to proceed, consult a qualified electrician.

NOTE: Proper wiring is essential for the safe operation of this fixture



ASSEMBLY AND INSTALLATION INSTRUCTIONS

WARNING: Be sure the electricity to the wires you are working on is shut off, either the fuse is removed or the circuit breaker is shut off.

NOTE: Before installing, consult local electrical codes for wiring and grounding requirements.

Carefully remove the fixture from the carton, and check that all parts are included, as shown in figure. Be careful not to misplace any of the screws or parts which are needed for installing the fixture.

Assembly and Installation Step:

1. Drill 4 holes 35mm deep for the Anchor sleeves and insert Wood screws so they are flush with the surface.
2. Place the Post of Fixture to the Base, and then secure with 3 Mounting Screws.

