

# JAMIE YOUNG CO

## Reservoir Pendant

### 5RESE-PECL

## SAFETY, INSTALLATION & CARE INSTRUCTIONS

### IMPORTANT SAFETY INSTRUCTIONS

We strongly recommend that all direct-wired lighting products be installed by a licensed electrician.

Two people may be required for installation. DO NOT EXCEED the rated bulb wattage. Keep flammable materials away from bulb. This light fixture is shipped with all internal wiring intact. Do not open the product or alter the wiring in any manner.

Installation requires an electrical junction box in the ceiling sufficient to support the weight of the light fixture. This fixture weighs: 5.5 lb. /2.5Kg.



**WARNING:** Be certain that the power to the electrical junction box is turned off at the circuit breaker before installation. Turning the power off at a light switch is not sufficient to prevent electrical shock.

### CAUTION:

Prior to installation, locate ALL PARTS INCLUDED before disposing of packaging materials.

### Tools Required for Installation (Not Included):

Phillips and Flat-blade Screwdrivers	Pliers
Electrical Tape	Adjustable Wrench
Wire Cutters	Drill

Note: Additional wiring supplies may be required.

### Parts Required (not included):

Part	Qty.	Description
(I)	1	Junction Box
(II)	1	Ground Junction Box Wire
(III)	1	Hot Junction Box Wire
(IV)	1	Neutral Junction Box Wire

### Parts Included/Referenced (See Figure 1):

Part	Qty.	Description	Part	Qty.	Description	Part	Qty.	Description
(A)	1	Socket	(F)	2	Mounting Screws	(L)	3	Wire Connectors
(B)	1	Glass Shade	(G)	1	Ground Screw	(M)	1	Canopy
(C)	1	Light Bulb (Not Included)	(H)	1	Ground Wire	(N)	2	Ball Finial
(D)	1	Ring	(I)	1	Hot Fixture Wire			
(E)	1	Mounting Bracket	(J)	1	Neutral Fixture Wire			

### Important Safety Instructions:

For your safety, use of a two-person installation team is strongly recommended.

This product must be installed in accordance with the applicable installation codes by a person familiar with the construction and operation of the product and the hazards involved.

This fixture has been rated for up to one (1) 25W-maximum Type G incandescent light bulb(C) (not included). To avoid the risk of fire, do not exceed the recommended wattage.

This fixture is meant for indoor use in dry locations only.

# JAMIE YOUNG CO

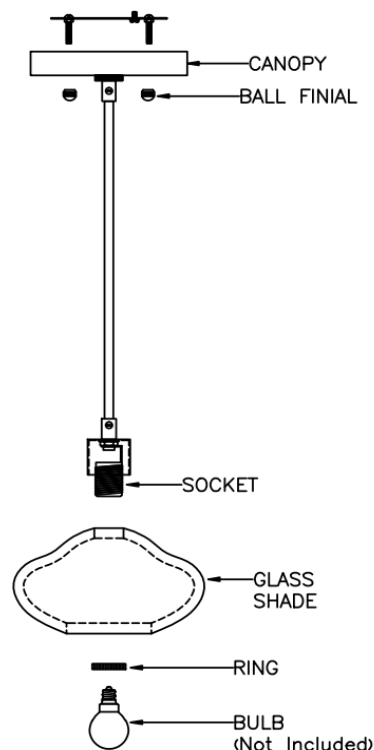
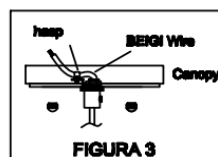
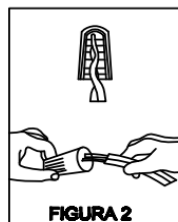
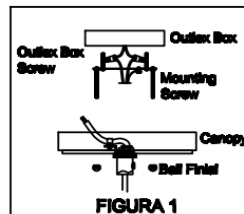
## Reservoir Pendant

5RESE-PECL

### SAFETY, ASSEMBLY, CARE, AND TROUBLESHOOTING

#### Installation Procedure:

1. SHUT OFF THE MAIN ELECTRICAL SUPPLY FROM THE MAIN FUSE BOX/CIRCUIT BREAKER.
2. TAKE THE PARTS CAREFULLY OUT OF THE CARTON, PLACE THEM ON A FLAT SURFACE, AND MAKE SURE THE PARTS WILL NOT BE DAMAGED.
3. REMOVE THE BALL FINIAL UNDER THE CANOPY FROM THE MOUNTING SCREWS, AND TAKE OUT THE UNIVERSAL BAR. ATTACH THE UNIVERSAL BAR TO THE OUTLET BOX BY USING TWO OUTLET BOX SCREWS. (SEE FIGURE 1)
4. ADJUST BEIGE CORD AS NEEDED FOR INSTALLATION, REMOVE EXCESS.
5. INSTALL THE GROUND WIRE IN THE UNIVERSAL BAR WITH THE SUPPLIED GREEN GROUND SCREW. (SEE FIGURE 2)
6. PLACE THE NULL WIRE, WHITE WIRE EVENLY AGAINST THE NULL WIRE FROM THE OUTLET BOX AND PLACE THE LIVE WIRE, BLACK WIRE EVENLY AGAINST THE LIVE WIRE FROM THE OUTLET BOX.
7. AFTER THE WIRES ARE CONNECTED. PULL THE BEIGE FABRIC WIRE TO ADJUST THE LENGTH, TIGHTEN IT BY THE HASP. TUCK THEM CAREFULLY INSIDE THE OUTLET BOX. (SEE FIGURE 3)
8. ATTACH THE CANOPY TO THE MOUNTING SCREWS AND SECURE WITH TWO BALL FINIALS.
9. SECURE THE GLASS SHADE INTO SOCKET WITH RING TIGHTLY.
11. INSTALL 1\*25W, E12 BULB TYPE G (NOT INCLUDED) INTO THE SOCKET OF THE FIXTURE, IN ACCORDANCE WITH THE FIXTURE'S SPECIFICATIONS.



# JAMIE YOUNG Cº

**CARE & CLEANING:**

To clean, wipe the fixture ONLY with a soft, dry cloth.