

CRYSTORAMA

LIGHTING THE WAY FOR SIXTY YEARS

ASSEMBLY INSTRUCTION MODEL #608-FB



All electrical components must be installed by a licensed electrician in accordance with the National Electric Code and the appropriate local electrical codes.



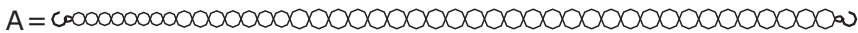
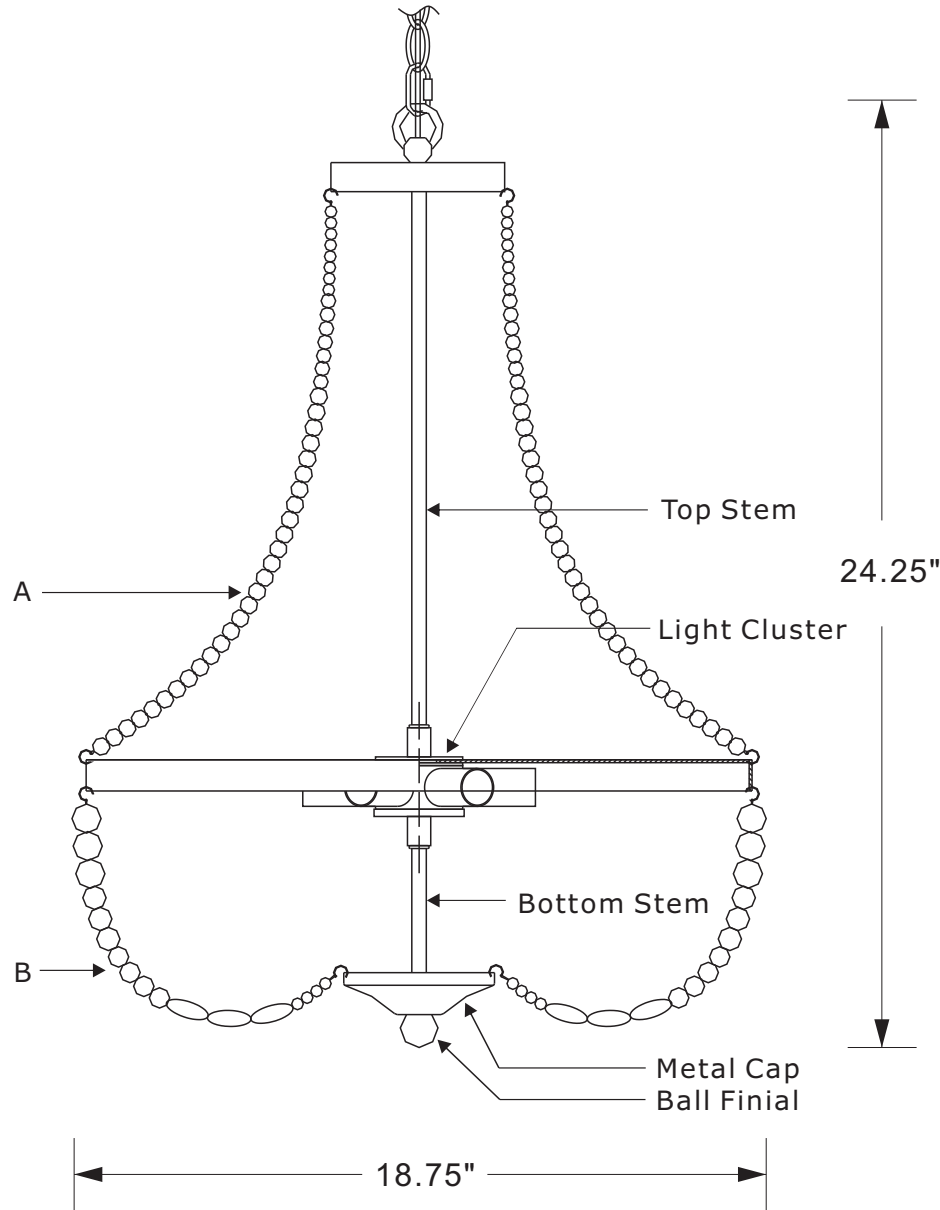
You will need 6 -Candelabra Base Bulb
40 Watts Recommended 60 Watts Max.
USE LED BULBS FOR EXTENDED USE

How to Install

1. Do a complete inventory of all parts and components before you start installation.
2. Attach the Top Stem assembly onto the Light Cluster.
3. Attach the Bottom Stem onto the Light Cluster.
4. Put the bottom metal cap over the bottom stem and secure it with ball finial.
5. Dress the fixture with beads "A" and "B" as illustrated.

Bead Sets

- A. 40 Sets.
(8)8mm + (7)10mm + (28)12mm
- B. 50 Sets.
(3)20mm + (3)16mm + (4)14mm
+ (3)(30-11)mm + (4)8mm

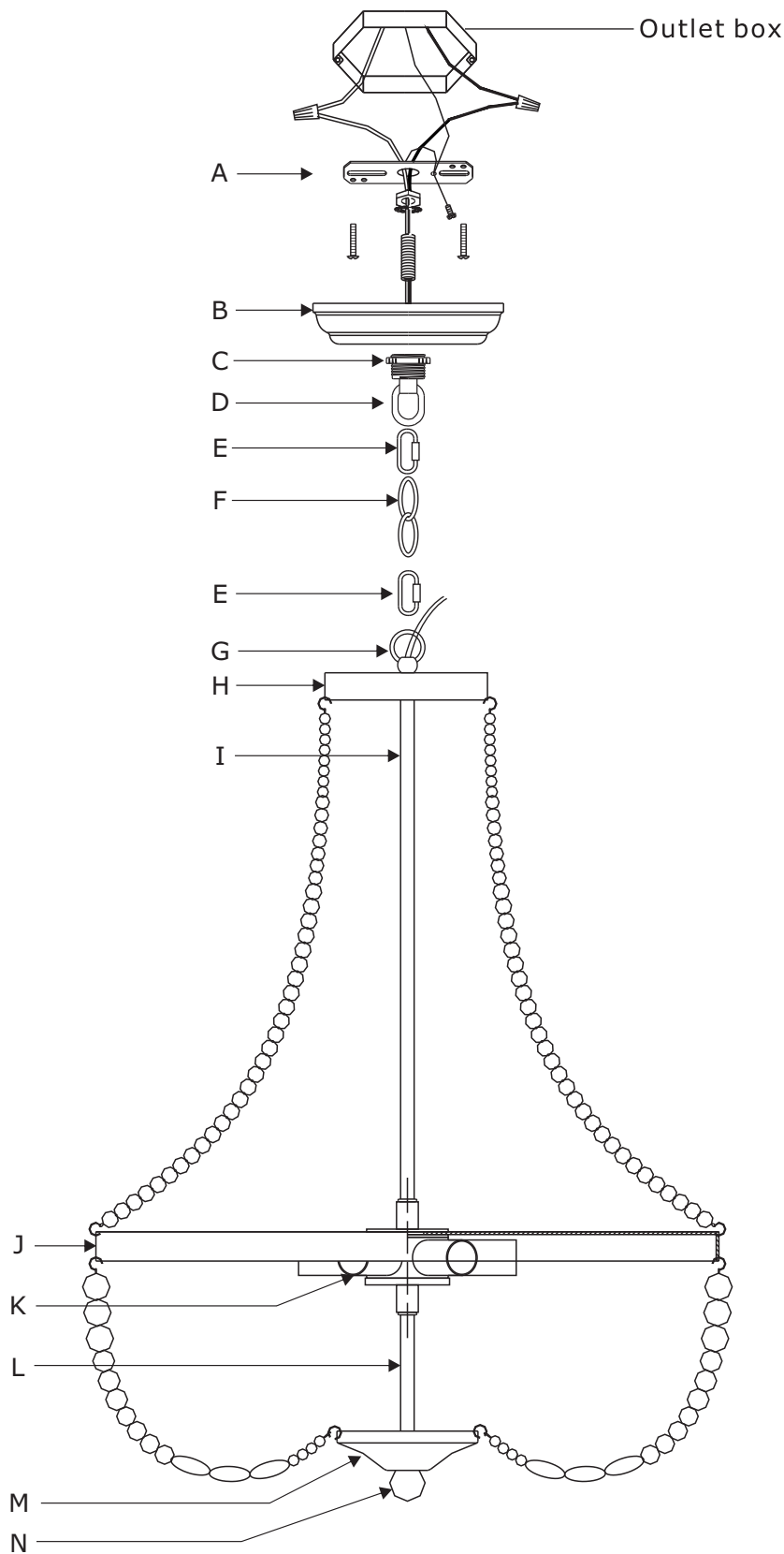


WARNING: This product can expose you to Lead, which is known to the State of California to cause cancer and/or birth defects or reproductive harm. For more information go to www.P65Warnings.ca.gov.

CRYSTORAMA

LIGHTING THE WAY FOR SIXTY YEARS

PART NUMBER MODEL #608-FB



Part Number

- A. (1) - Mounting Hardware
- B. (1) - Canopy(W5",H1") #XRE608FBCAN5IN
- C. (1) - Collar Ring
- D. (1) - Collar Loop
- E. (2) - Quick Link
- F. (1) - Hanging Chain(72",4mm) #XRE608FBCHA4MM
- G. (1) - Fixture Loop
- H. (1) - Top Band Ring
- I. (1) - Top Stem #XRE608FBTOPSTEM
- J. (1) - Bottom Band Ring
- K. (6) - Socket Sleeve
- L. (1) - Bottom Stem #XRE608FBBOTSTEM
- M. (1) - Metal Cap #XRE608FBCAP
- N. (1) - Ball Finial #XRE600FBBOTFIN