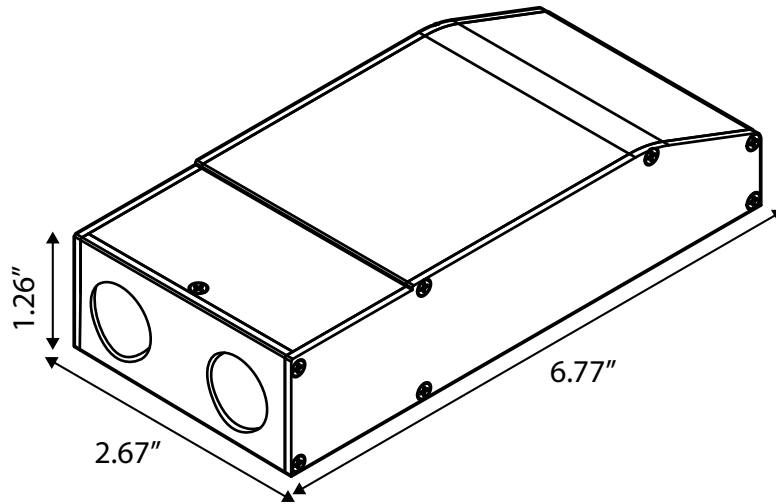


Features

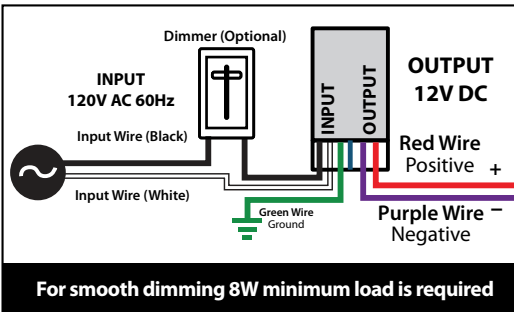
Dimmable with any standard MLV/Incandescent TRIAC-
(Leading edge) dimmer switch
Super compact ALUMINUM CASE.
Class 2
UL 8750
IP67 - Withstands wet and salty conditions.
Auto-Reset Protection for short circuits, over-voltage
and over-temperature.
FCC 15 part 2
12V DC True RMS



Specifications

Max Load	60W
Input Voltage	120V AC
Input Current at Max Load	0.61 A
Output Voltage	12V DC
Output Current at Max Load	5.26 A
Power Factor	0.95
Efficiency	> 90%
Operating Temp.	-20°C - 70°C (-4°F - 158°F)
Short circuit protection	Yes
Overcurrent	Yes
Over temperature	Yes
Open circuit protection	Yes
Input Wires (White \ Black)	14 AWG
Output Wires (Red \ Purple)	18 AWG
Dimensions L*W*H	6.77" x 2.67" x 1.26"
Weight	17 oz

Installation



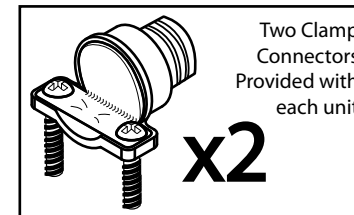
Dimmable

12V
DC

Class
2



Revisions:



4		
3		
2		
1		



Project:

Part number: TRE12L60DC

Scale: NTS

Product: ELECTRONIC LED DRIVER 60W 12V DC IP67 DIMMABLE

Type:

Date: