

WAC LIGHTING

Hardscape

Quick Connect Luminaire With Dual CCT

Fixture Type: _____
 Catalog Number: _____
 Project: _____
 Location: _____

Model & Size	Color Temp & CRI	Watt	Lumens	Finish
7062 6"	27/30 2700K/3000K - 85	4.5W	110	BBR Bronze on Aluminum
7122 12"	27/30 2700K/3000K - 85	7.0W	230	Brass
7182 18"	27/30 2700K/3000K - 85	8.5W	350	BK Black on Aluminum BZ Bronze on Aluminum GH Graphite on Aluminum SD Sand on Aluminum

Example: **7062-27/30BBR**

DESCRIPTION

Hardscape luminaire with a unique, Quick Release light engine for easy servicing. Multiple mounting options with durable stainless steel construction.

FEATURES

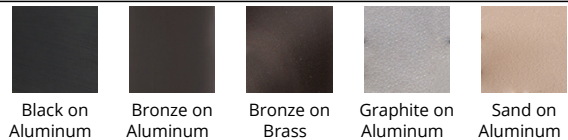
- Quick release connection at fixture to easily detach after installation
- Integral brightness control, select color temperature option
- Hardscape easily detaches from capstone bracket after installation
- Use VA value for sizing the transformer and calculate voltage drop
- Transformer required
- 10 yrs warranty



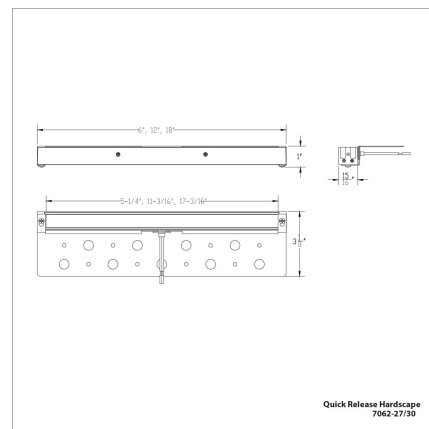
SPECIFICATIONS

Construction	Solid die-cast brass, Corrosion resistant aluminum alloy
Power:	4.5W, 7.0W, 8.5W
Input:	9-15 VAC, 50/60Hz
Dimming:	Integral Brightness Control
Light Source:	Integrated LED, 3 Step Mac Adam Ellipse
Lens:	PC Diffuser
Rated Life:	50,000 Hours
Mounting:	Can be mounted on wall in all orientations
Finish:	Enamel Coated Sand on Aluminum, Enamel Coated Graphite on Aluminum, Enamel Coated Bronze on Aluminum, Enamel Coated Black on Aluminum, Enamel Coated Bronze on Brass
Operating Temp:	-40°F to 122°F (-40°C to 50°C)
Standards:	ETL, cETL, Wet Location Listed, IP66

FINISHES:



LINE DRAWING



WAC LIGHTING

12V Magnetic Transformer (Outdoor)

Accessory

Model & Product

9075-TRN-SS 75W Magnetic Landscape Lighting Power Supply in Stainless Steel
 9150-TRN-SS 150W Magnetic Landscape Lighting Power Supply in Stainless Steel
 9300-TRN-SS 300W Magnetic Landscape Lighting Power Supply in Stainless Steel
 9600-TRN-SS 600W Magnetic Landscape Lighting Power Supply in Stainless Steel

L x W x H

13.97IN x 5.35IN x 5.63IN
 18.9IN x 6.69IN x 6.3IN
 18.9IN x 6.69IN x 6.3IN
 14.49IN x 10.08IN x 5.94IN

Example: **9075-TRN-SS**

DESCRIPTION

WAC Landscape Lighting Magnetic power supplies are 12V AC to support the entire line of 12V Landscape Lighting products, including Accent, Flood, Well, Indicator, Submersible, 12V Tape Light, Step and Wall, Deck and Patio, Path and Area, and Hardscape lighting products. The Stainless Steel housing enhances protection from corrosive and outdoor elements. Mounting extrusion with varying knockout sizes proved for a simple installation. Heavy gauged grounded and water resistant cord included for simple plug-in power feature. Hinged cover includes a loop to safely lock the power supply with an optional lock to secure access from inner contents. Multiple wire taps ranging from 12V-16V on terminal strip, for long runs where voltage drop may occur. Hinged cover includes a loop to safely lock the power supply with an optional lock to secure access from inner contents.

FEATURES

- Outdoor rated stainless steel transformer contains an outdoor rated 3-prong plug for power
- Knock outs for power and photosensor connections
- 3-prong outlet for timer
- Taps for 12V, 13V, 14V and 15V
- 6' lead input wire, except for the 600W which comes with a 5' lead wire
- UL 1838 Listed
- MLV Dimming capable, dimming dependent upon fixture type
- 5 year warranty

SPECIFICATIONS

Construction	Stainless steel
Input:	120 VAC, 50/60Hz
Finish:	Stainless Steel Stainless Steel
Operating Temp:	-40°F to 122°F (-40°C to 50°C)
Standards:	UL, cUL, Wet Location Listed, IP65

Fixture Type: _____

Catalog Number: _____

Project: _____

Location: _____



FINISHES:



Stainless Steel

LINE DRAWING

