

# LED Indoor Luminaires Ceiling Mount – Pendant 120-277VAC / 60Hz

Model #: EGRPxxLAJUDxx

## Safety Precautions

- Read all safety precautions and installation instructions carefully before installing or servicing this fixture. Failure to comply with these instructions could result in potentially fatal electric shock and/or property damage.
- It is recommended that a qualified electrician perform all the wiring. This fixture must be wired in accordance with all national and local electrical codes.
- Do not handle any energized fixture or attempt to energize any fixture with wet hands or while standing on a wet or damp surface or in water.
- This fixture is designed for use in a 120-277VAC / 60Hz fused circuit. This fixture is compatible with Triac (forward-phase or leading edge) / ELV (reverse phase or trailing edge) and 0-10V dimming circuit.
- Make sure that the power source conforms to the requirements of the fixture. (See labels on the fixture housing).
- To reduce the risk of electrical shock, and to assure proper operation, this fixture must be adequately grounded. To accomplish proper grounding, there must be a separate ground wire (green) contact between this fixture and the ground connection of your main power supply panel.
- This fixture is intended to be used for general indoor lighting in dry or damp locations.
- Disclaimer

Changes or modifications not expressly approved by the party responsible for compliance could void the user's authority to operate the equipment. NOTE: This equipment has been tested and found to comply with the limits for a Class B digital device, pursuant to Part 15 of the FCC Rules and Canadian ICES-005 (B) / NMB-005 (B). These limits are designed to provide reasonable protection against harmful interference in a residential installation. This equipment generates, uses, and can radiate radio frequency energy and, if not installed and used in accordance with the instructions, may cause harmful interference to radio communications. However, there is no guarantee that interference will not occur in a particular installation. If this equipment does cause harmful interference to radio or television reception, which can be determined by turning the equipment off and on, the user is encouraged to try to correct the interference by one or more of the following measures:

- Reorient or relocate the receiver antenna.
- Increase the separation between the equipment and receiver.
- Connect the equipment into an outlet on a circuit different from that to which the receiver is connected.
- Consult with the dealer or an experienced radio/TV technician for help.

Any modifications to this fixture may void the warranty and interfere with the safe operation of the luminaire.

Operation is subject to the following two conditions: (1) this device may not cause interference, and (2) this device must accept any interference, including interference that may cause undesired operation of the device.

## Assembly Instructions

### Step 1 – Preparing for installation

- Disconnect electrical power** at the fuse or circuit breaker box before installing or servicing any part of this fixture.
- Carefully remove the fixture and parts bag from the carton.
- Remove components from the parts bag.
- Install the gembar (1) to the 3-0 or 4-0 junction box (not included) using two screws (2) to secure it.
- For 16" and 20" model, remove plastic flat mounting plate on the back of the fixture by turning counterclockwise. This part will be replaced with the new plastic dome cover (10) in Step 2 D.
- For 24" model, remove the metal mounting plate on the back of the fixture by turning counterclockwise. This part will be reused in Step 2 E.

### Step 2 – Assembling Fixture (Fig 1 & 2)

- Identify your fixture model EGRF16, EGRF20, or EGRF24 then proceed accordingly to corresponding illustration of Fig 1 for 16" and 20" or Fig 2 for 24" diameter.
- Determine drop height from the ceiling to bottom of the fixture to assemble stems section. The stems consist of 4x 12" and 2x 6" pipe for a total of 60" long section will require to be assembled to the fixture. **Note: Consult factory for additional stems if longer stems are required (sold separately).**
- Connect all stems (6, 7, 8) together and to the 90° swivel part (5) and to the reducer nipple (9) by turning clockwise to secure it. **Note: two different length reducer nipple (9) and two different cover (10) provided but only one of each will be used depending on the fixture models purchased. Discard spare parts if not used.**
- For 16" and 20" model, install new plastic dome cover (10) to the reducer long nipple (9) using lock washer (11) and jam nut (12) to secure it per Fig 1. Discard original flat mounting plate.
- For 24" model, insert metal cover (10) over the stem first then install original metal mounting plate (11) to the reducer short nipple (9) by using lock washer (12) and jam nut (13) to secure it per Fig 2. Discard spare parts if not used.
- Discrete power wires in black, white, pink and purple color are pre-cut from factory to 108" long. Feed all wires inside the stems section and allow about 7" to protrude from the bottom for splicing to the fixture. Match same color wires from the stem with the wires from the fixture for electrical connections using wire nuts (provided) to secure it. **Note: 108" wire length provided. Refer to Step 3 C before making final cut of the power wires on the other end.**

### Step 3 – Color changing temperature adjustment, CCT (if desired)

- CCT switch is located on the back of the fixture. Adjust switch to desired temperature of 2700K, 3000K, 3500K, 4000K, or 5000K as shown below. Note: Fixture is preset to 3000K from factory. Power to the fixture must always be turned OFF prior to adjusting the CCT switch.

• 2700K
• 3000K
• 3500K
• 4000K
• 5000K

### Step 4 – Install fixture

- For 16" and 20" model, install the fixture to the new cover (10) by turning clockwise to lock and secure it. All splicing must be hidden inside the cover.
- For 24" model, install the fixture to the metal mounting plate (11) by turning clockwise to lock and secure it. Then lower the metal cover (10) on top of the metal mounting plate. Using Allen wrench (14 - provided) to secure it. All splicing must be hidden inside the metal cover (10).
- Insert canopy (3) and nut (4) over the 90° swivel part (5) then feed the fixture wires through the center hole on the gembar (1). Then pull wires down on one side of the gembar. Do the same for the supply power source wires. Note: all wires must be on same side of the gembar for connections..
- Install the fixture assembly by threading the support union onto the gembar (1), rotating clockwise to secure it.

### Wiring – All wiring must take place inside the junction box (not included)

**Caution:** Make sure power is off at the fuse or circuit breaker box. Check power wires for damage or scrapes. If the power supply wires are within three inches of the LED driver, use a wire suitable for at least 90°C (194°F).

**Note:** Most dwellings built before 1985 have supply wire rated to 60°C. Consult a qualified electrician to ensure correct branch circuit conductor before installing.

### Step 5 – Wiring fixture

- Make all wire connections to appropriate wire. Secure with wire nuts (provided).
- For NEC (National Electrical Code) requirements, cut the wire about 7" above the canopy (3) and then strip 3/8" from the ends of the color-coded wires accordingly.

View shown for reference only.  
Individual models may vary.

FIG 1



**LED Indoor Luminaires**  
**Ceiling Mount – Pendant**  
**120-277VAC / 60Hz**

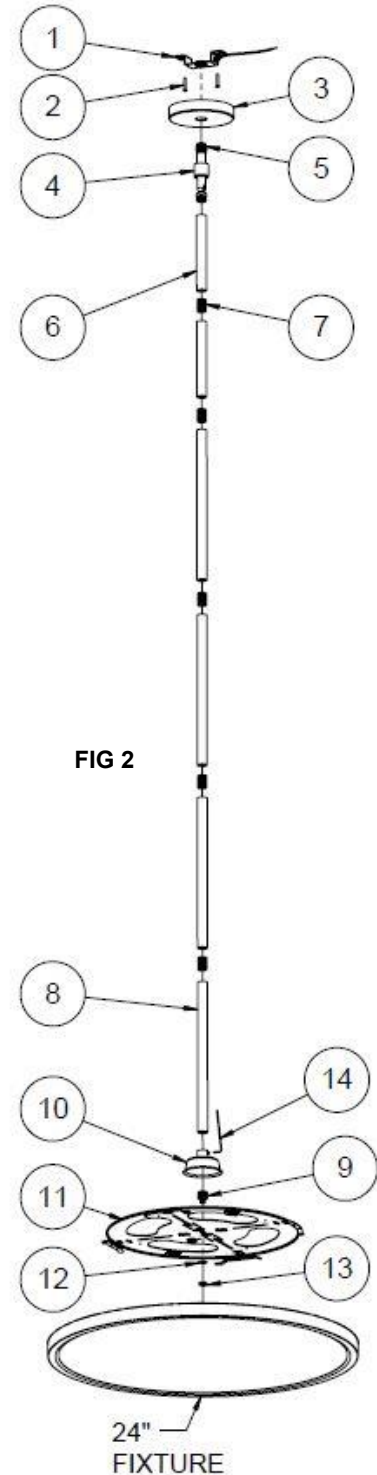
**Model #: EGRPxxLAJUDxx**

- C. **For non-dimming.** Connect the white wire from the fixture to the white (N) wire from the supply power source. Connect the black wire from the fixture to the black (L) wire from the supply power source. Pink and purple wires are not to be used and must be individually capped to prevent shorting.
- D. **For TRIAC dimming.** Connect the white wire from the fixture to the neutral (N) wire from the dimmer source per dimmer wiring instructions. Connect the black wire from the fixture to the control line (L) wire from the dimmer supply power source per dimmer wiring instructions. Pink and purple wires are not to be used and must be individually capped to prevent shorting.
- E. **For 0-10V dimming.** Connect the pink wire from the fixture to the dimmer source pink or gray wire. Connect purple wire from the fixture to the dimmer source purple wire. Connect the white wire from the fixture to white (N) wire from the supply power source. Connect the black wire from the fixture to the black (L) wire from the dimmer supply power source.
- F. **Do not mix wires.** Pull on each wire lead to make sure connections are secure. Make certain no bare wires are exposed outside of wire connectors. Tuck all connections neatly into junction box.

**Step 6 – Install canopy**

- A. Slide the canopy up and over the gembar (1) then threading the nut (4) clockwise onto the union to secure it.

**Step 7 – Restore power at the fuse or circuit breaker box**



**Limited Factory Warranty**

AFX Inc. hereby warranty that this fixture is free from defects in materials and workmanship when installed and used under normal operating conditions for a period of 5 years from date of purchase. This warranty covers all component parts and extends only to replacement of defective fixture or components; it does not cover failure due to improper installation, misuse, mishandling or damage incurred in transit.