



1718 W. Fullerton Chicago, IL 60614
 Ph: 773.770.1195 • Fax: 773.935.5613
 www.PureEdgeLighting.com • info@PureEdgeLighting.com
 © 2016 PureEdge Lighting. All Rights Reserved.

Installation Instructions for TruArch 1 Flex Channel End Feed Power Connector - Traditional Dimming, 0-10V, DMX & DALI

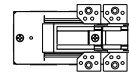
TAFX1-EP_

IMPORTANT INFORMATION

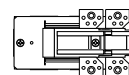
- This instruction must be used concurrently with other TruArch 1 DIY installation instructions.
- This product is wall or ceiling mount.
- This instruction shows a typical installation.
- This product must be installed by a qualified electrician and in accordance with local electrical codes.

SAVE THESE INSTRUCTIONS!

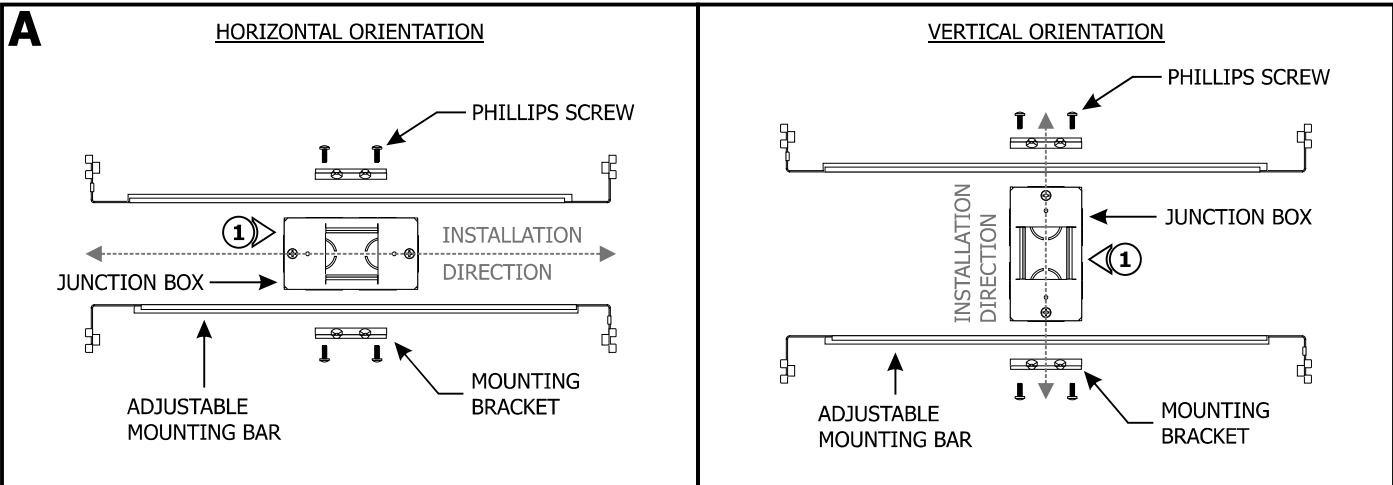
OUTSIDE



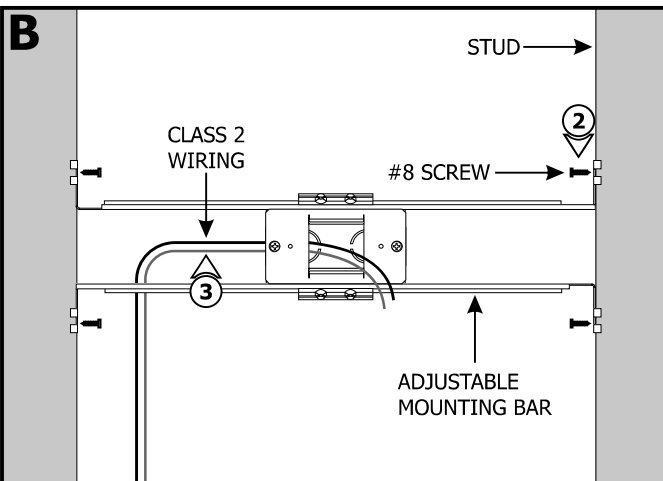
INSIDE



Section One: Install the Junction Box

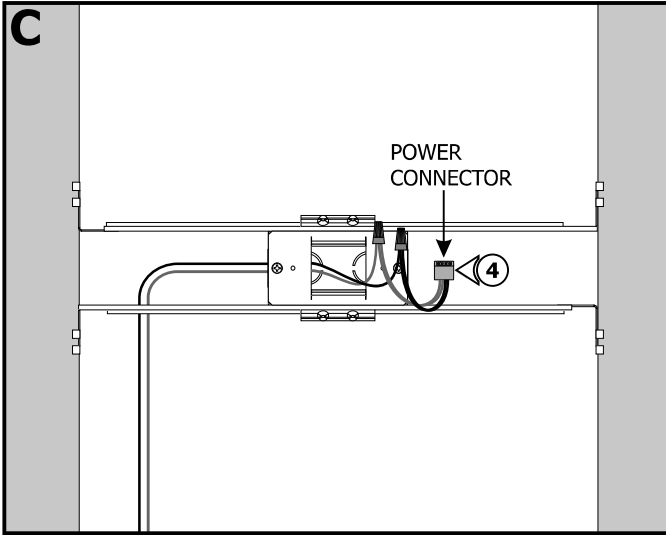


1: Mount each adjustable mounting bar to one side of the junction box and secure them with the mounting brackets and Phillips screws provided.



NOTE: Adjustable mounting bars mount to studs that are spaced 15" to 24" apart. If the span needs to be shorter than 15", then break the bar arms from dedicated lines.

- 2:** Place the adjustable mounting bar tabs against the studs. Secure the adjustable bars to the studs with the #8 screws.
- 3:** Run the Class 2 24VDC low voltage wires coming from the remote power supply to the junction box. Only install conduit if required by local electrical codes.



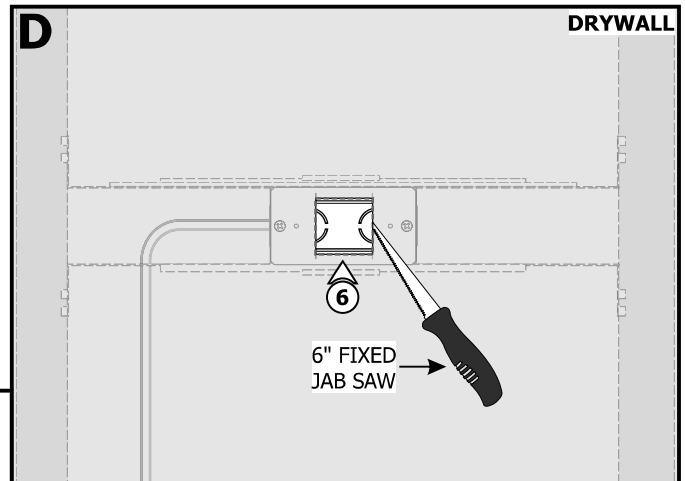
NOTE: If the installation requires RGB, RGB+W, Tunable White or RGBTW refer to wiring diagrams on pages 5 through 7.

NOTE: Remote power supply wires must be present in junction box. Refer to instructions provided with power supply.

4: Connect the +24VDC low voltage wire of the power supply to the red wires of the power connector using a wire nut. Connect the -24VDC low voltage wire of the power supply to the black wires of the power connector using a wire nut.

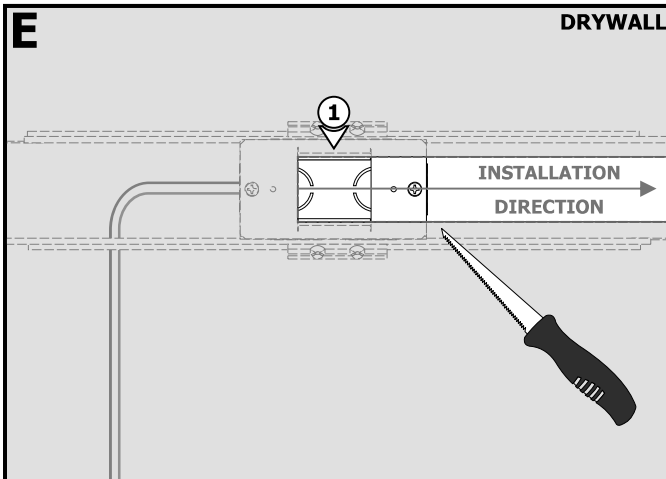
5: Place all wire nut connections inside the junction box.

CAUTION: Unroll the entire LED strip from the reel and use the power connector to power the strip making sure there is no outage before continuing with the installation. Afterwards, carefully roll the LED strip loosely back into the reel.



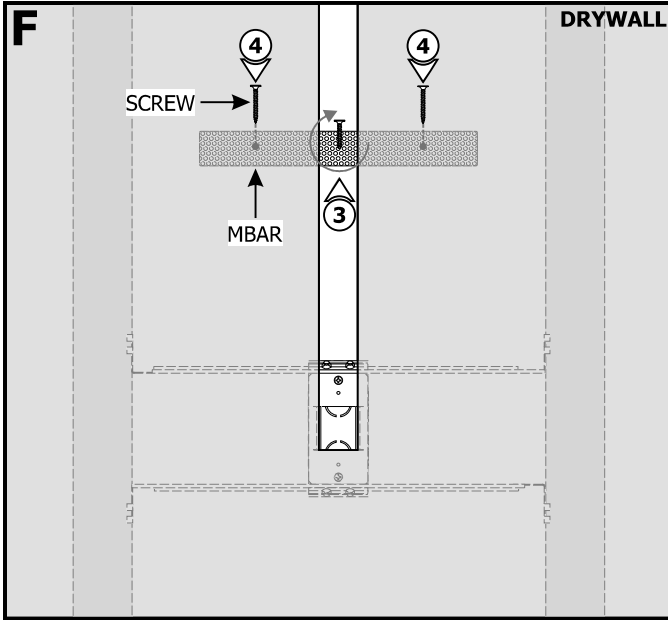
6: Cut a section of drywall using a 6" fixed jab saw or other appropriate tool to expose the mounting plate area. Install the drywall.

Section Two: Prepare and Install the Flex End Feed Power Connector



1: Mark and cut out the area where the installation will be located using the junction box opening as a guide (MIN 1-1/4").

2: Refer to Sections Three and Four in the TruArch 1 Flexible Channel instructions to measure and adjust the channel length before continuing.



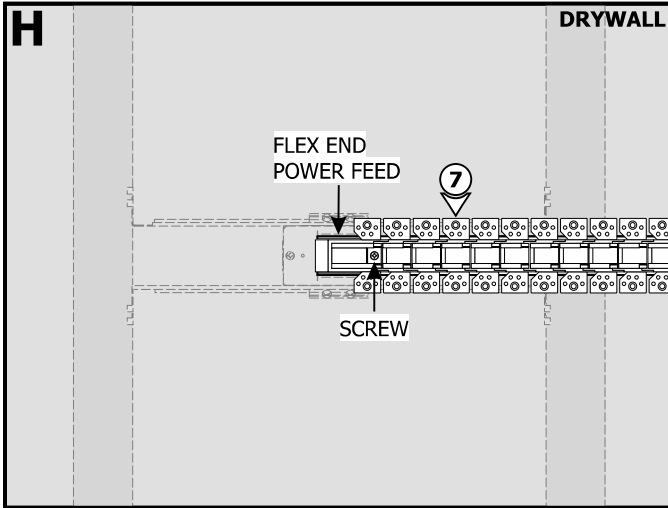
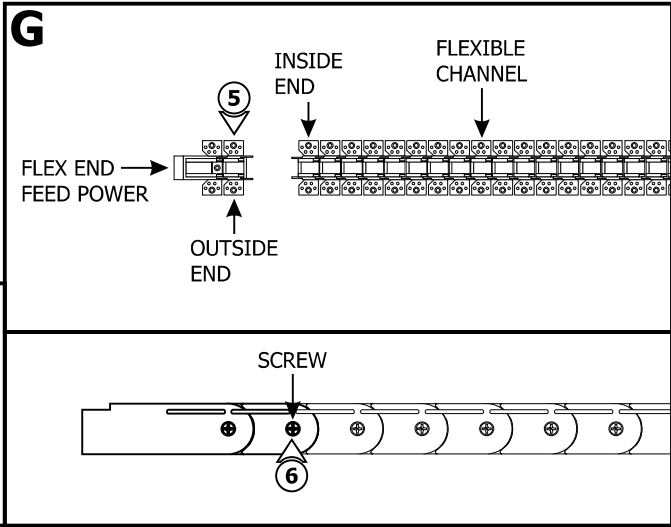
NOTE: Ensure the channel is supported with either a stud or mounting strap. To install the channel without standard-spaced studs, install perforated mounting straps (MBAR).

3: Thread a drywall screw into the perforated material. Use the screw to hold and place the mounting strap behind the drywall, and then rotate it in place.

4: Secure the mounting strap to the drywall on each side of the junction box using two drywall screws. Mark the location of the mounting strap on the drywall.

5: Depending on the design, align the inside end of the channel with the outside end of the Flex End Power Feed or the outside end of the channel with the inside end of the Flex End Power Feed.

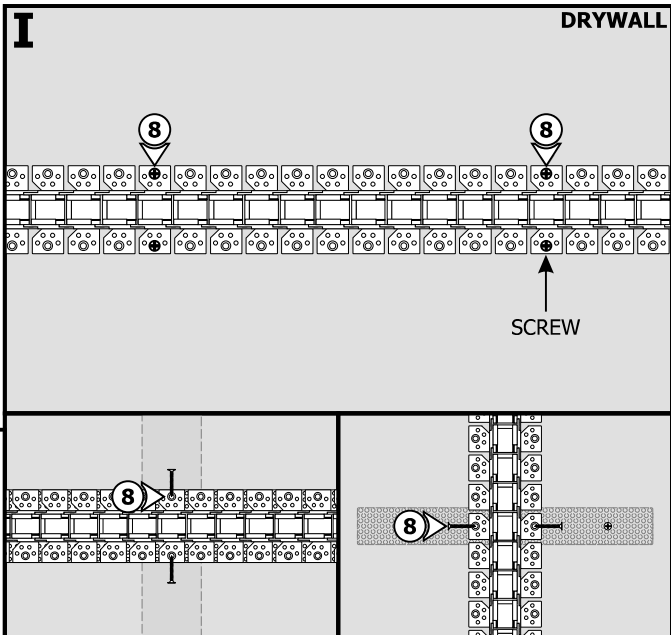
6: Slide the ends together and align the screw holes on the sides of each channel link. Tighten the two screws to secure in place.



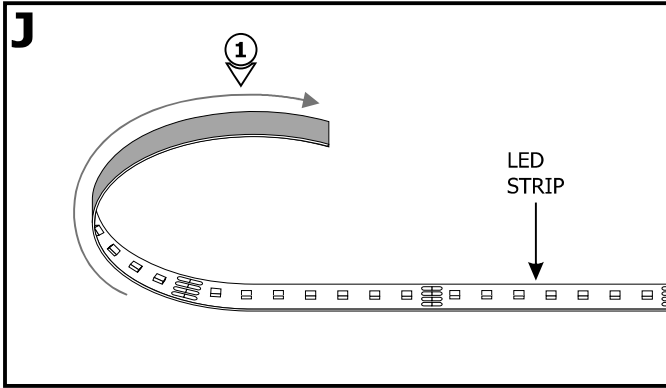
7: Place the assembled channel and Flex End Power Feed into the drywall cutout. Attach the assembled trap door frame to the junction box using the Phillips screw.

8: Properly secure the Flexible Channel to the marked studs and mounting straps using drywall screws (**DO NOT over tighten**). Ensure all screw heads are flush with the channel surface.

NOTE: Refer to the TruArch 1 Flexible Channel instructions to plaster before continuing.



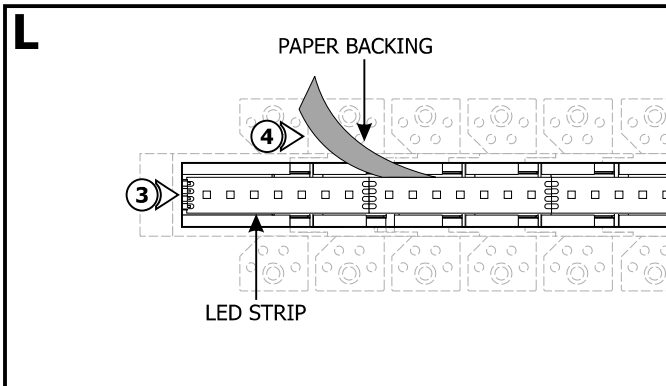
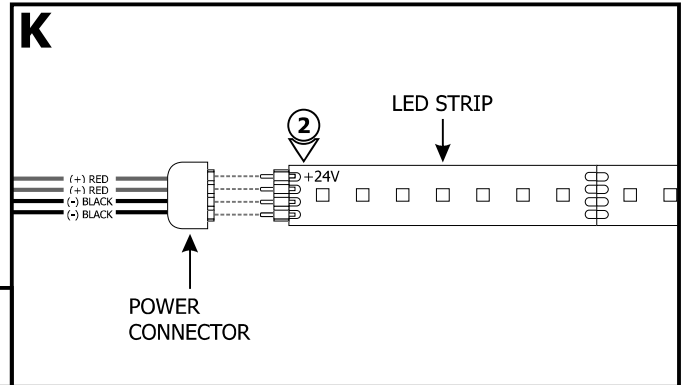
Section Three: Install the LED Strip



NOTE: LED Strip may not properly adhere to the channel surface unless the channel is cleaned with alcohol prior to application.

1: Gently uncoil the LED Strip before applying to the channel surface otherwise the strip may lift off of the surface.

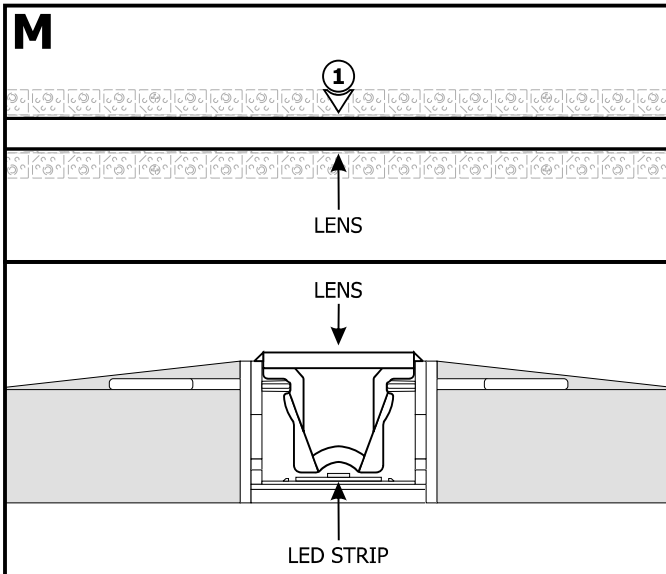
2: Line up the "+" wire side of the power connector with the "+24V" marking on the LED Strip. Push the male connector of the strip into the power connector.



3: Place the power connector inside the End Power Feed Connector.

4: Carefully remove the backing from the LED Strip, making sure not to remove the tape. Firmly press down the adhesive portion of the LED Strip onto the channel surface while removing the rest of the backing, making sure there are no air bubbles that can cause surface irregularities.

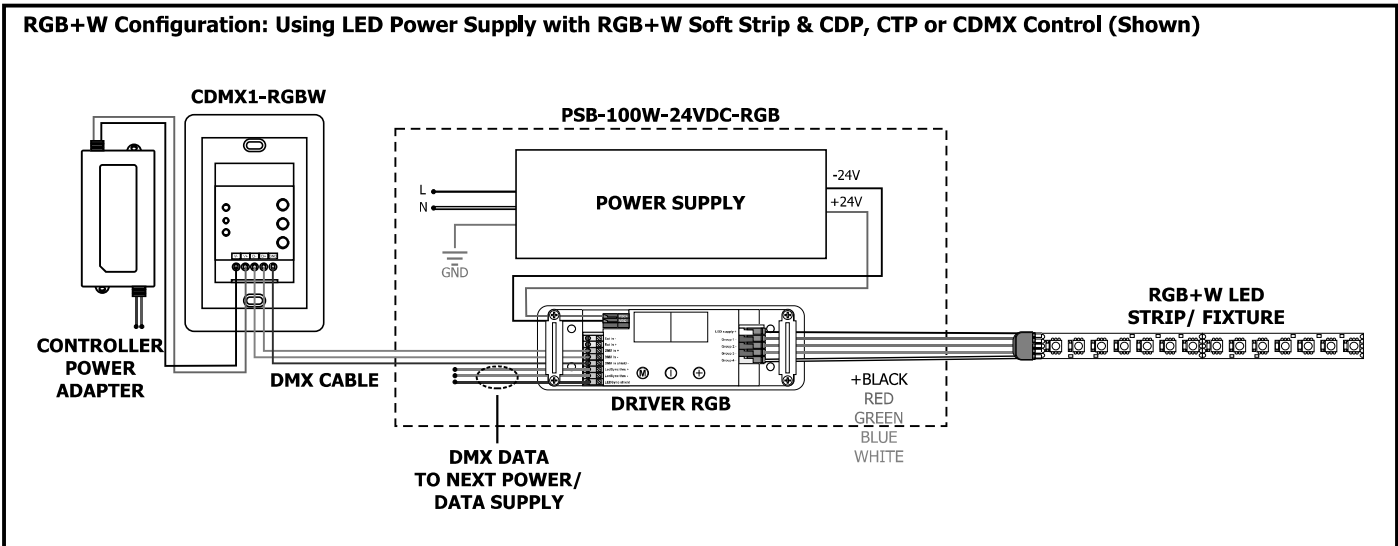
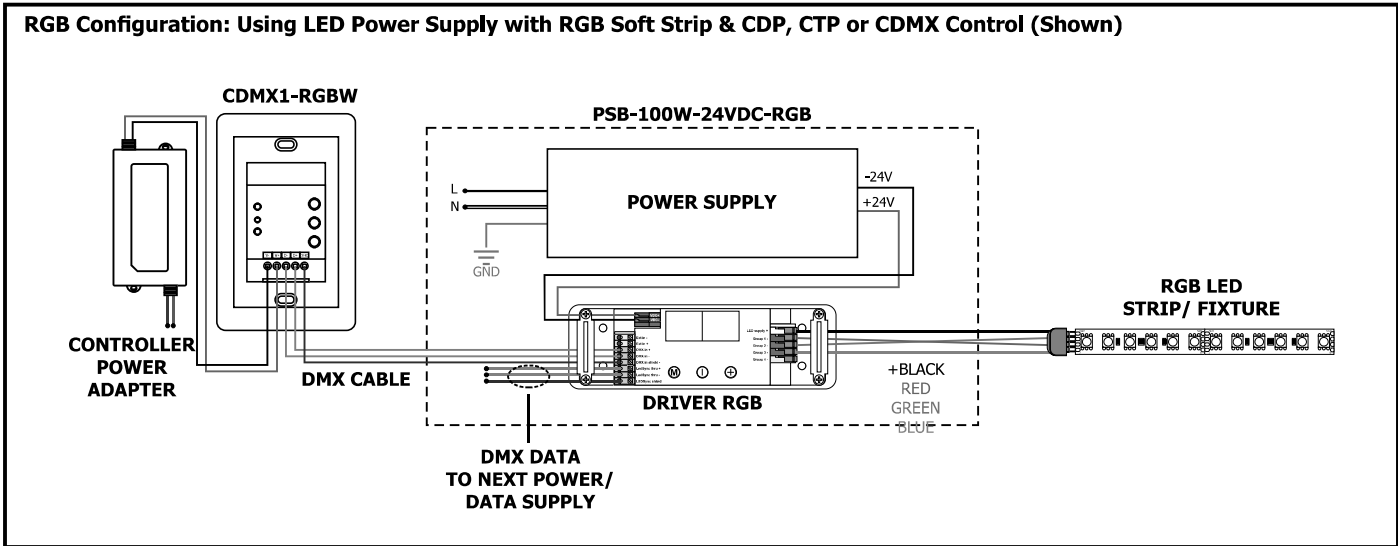
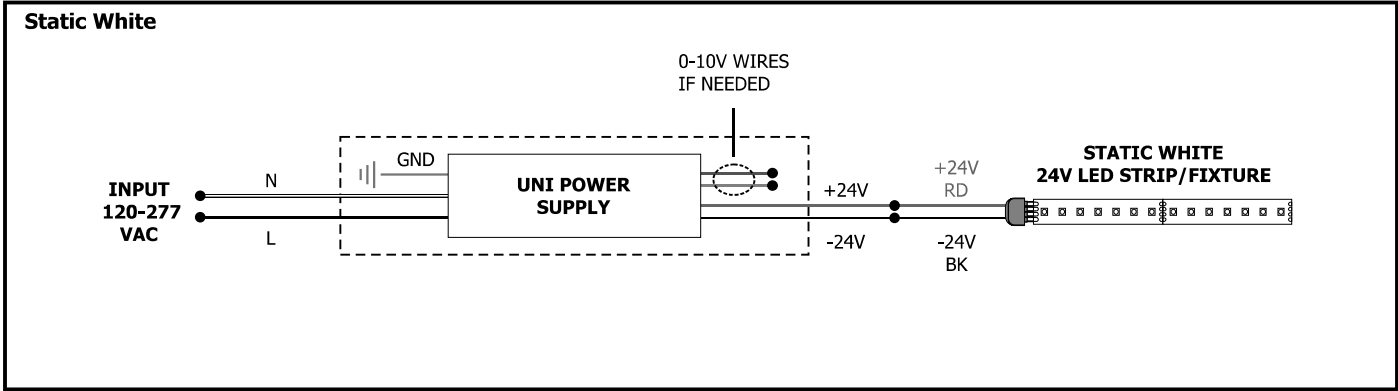
Section Four: Install the Lens



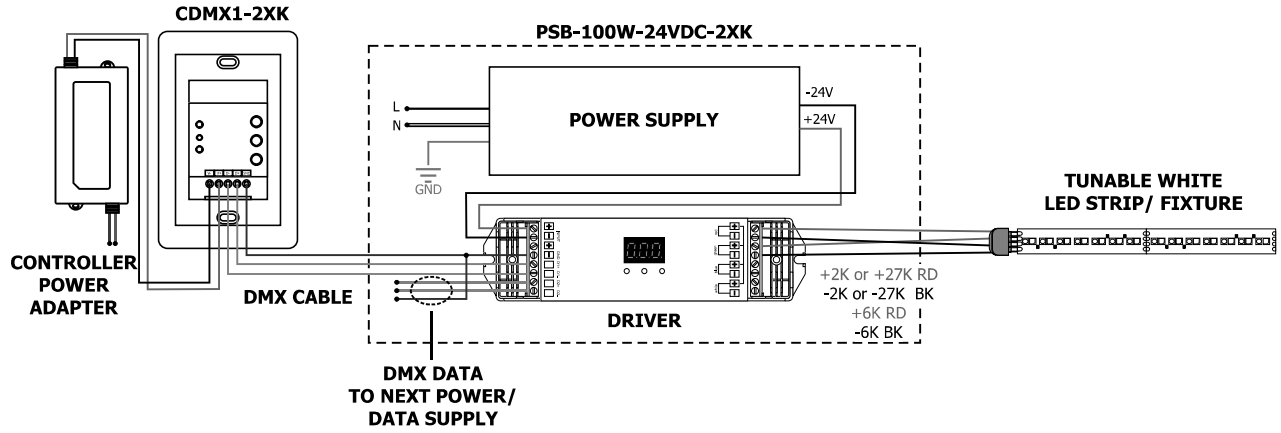
1: Carefully push the lens completely inside the channel.

NOTE: Use the lens for the final clean installation. **Do Not** use the mudding cover.

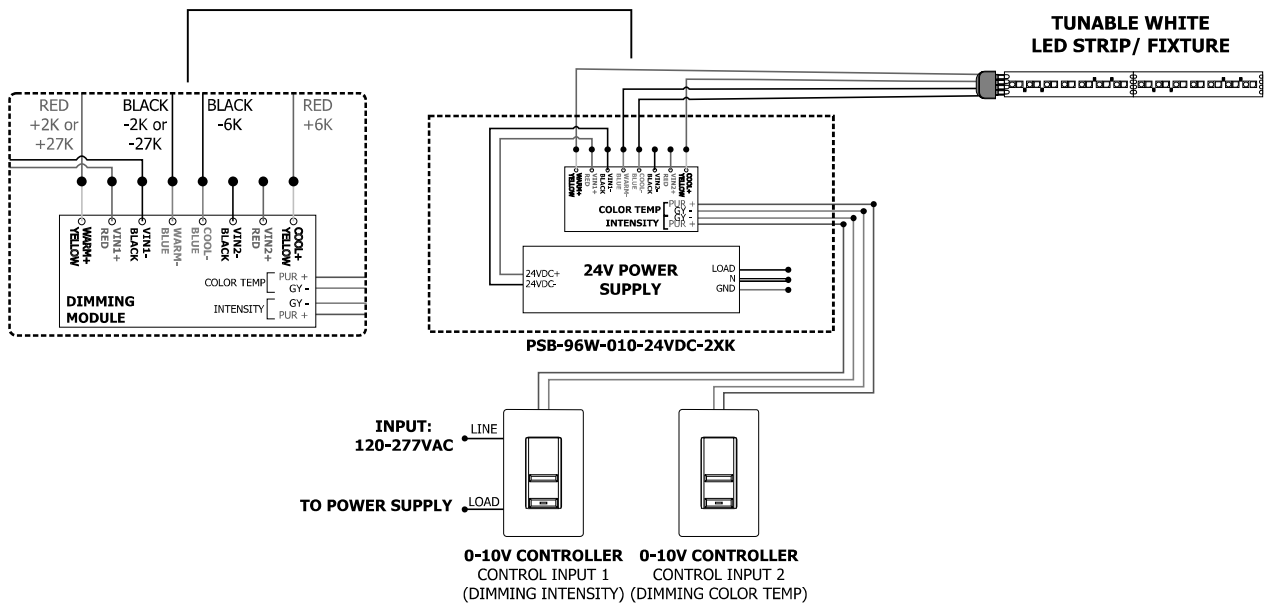
General Wiring Diagrams



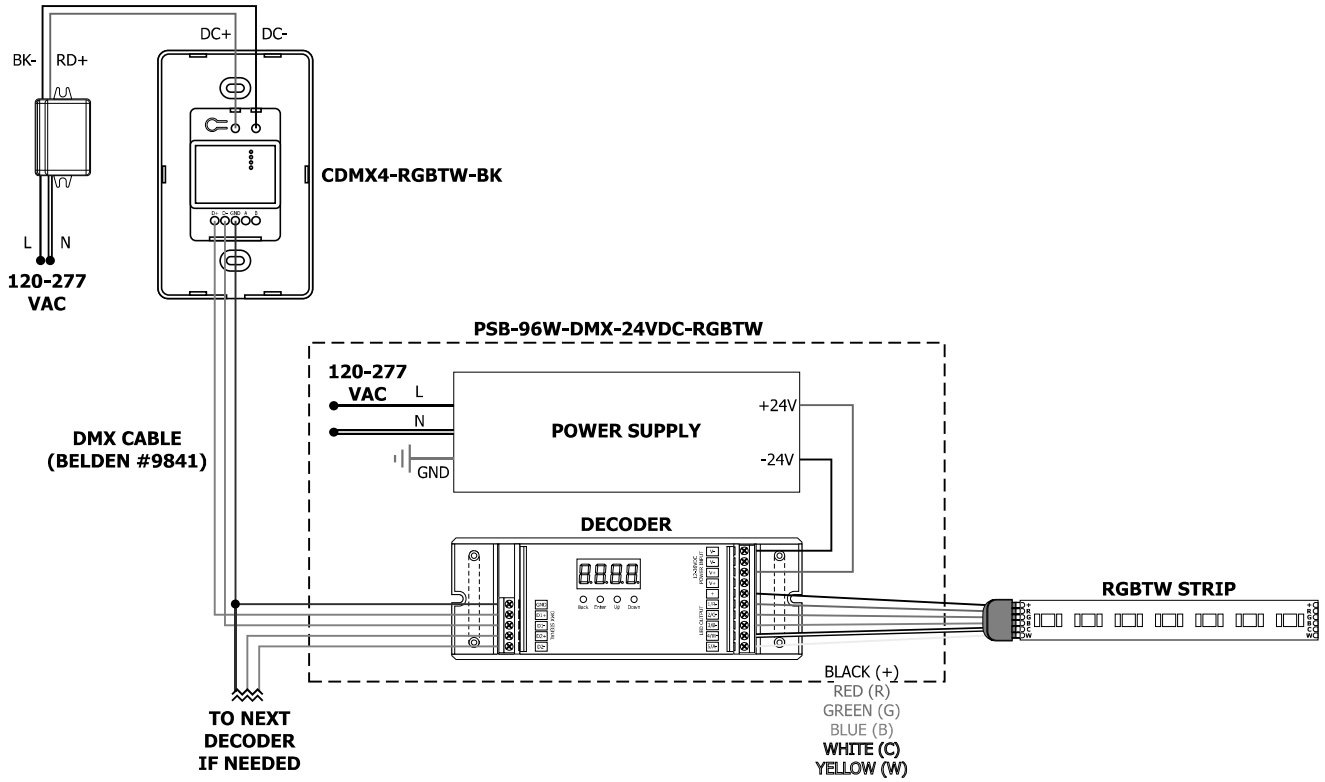
Tunable White: 2XK Power Supply with CDMX Controller



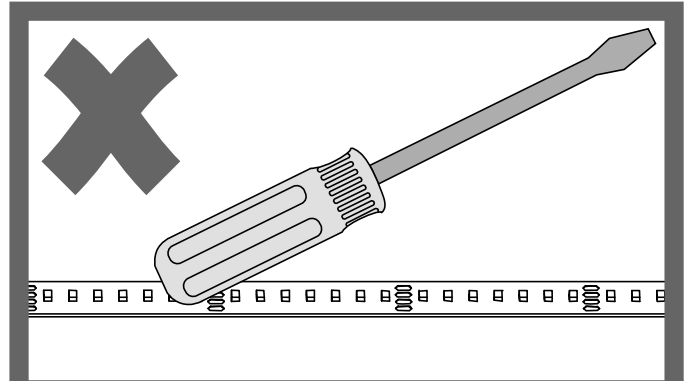
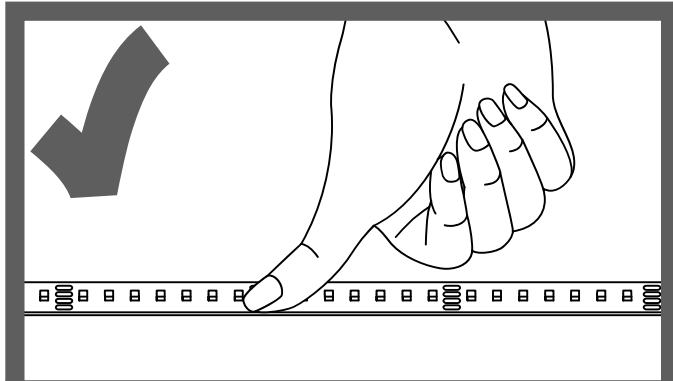
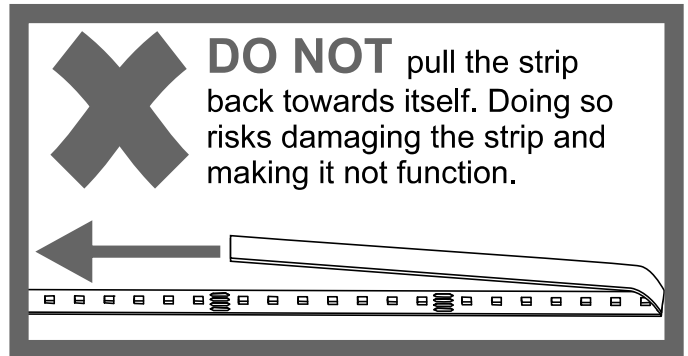
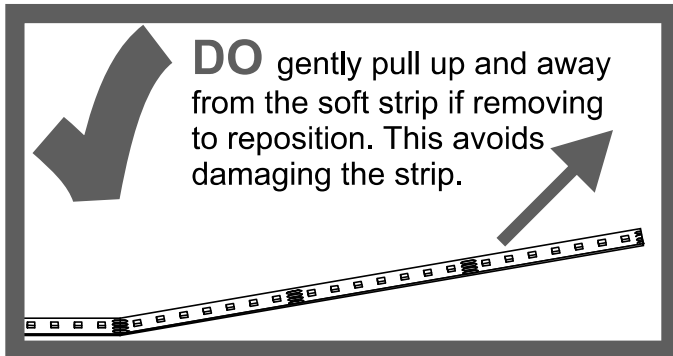
Tunable White: LED Power Supply with two Channel Controls, for Intensity and Color Temperature



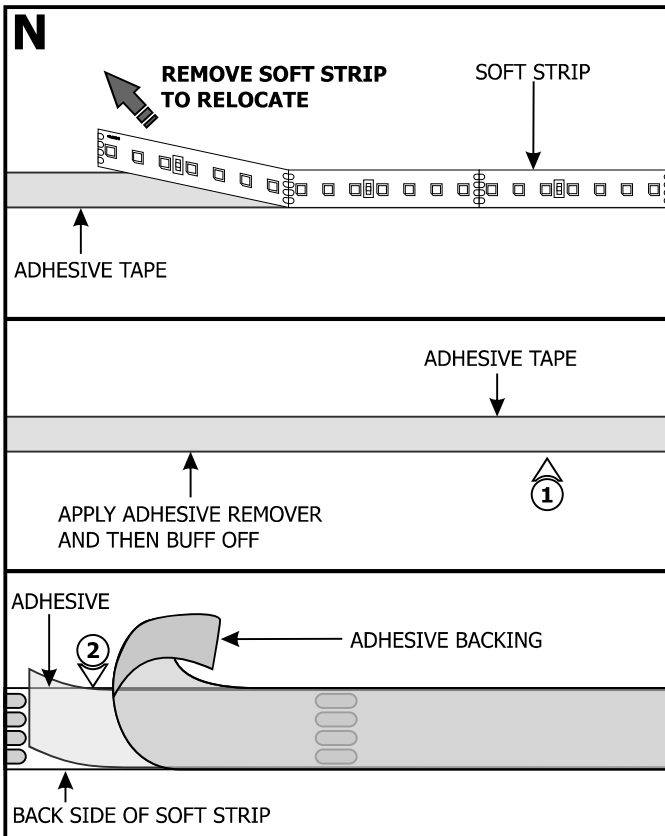
RGBTW: DMX Power Supply with CDMX Controller



IMPORTANT INFORMATION REGARDING INSTALLATION AND REWORK OF SOFT STRIP LED



Relocating Soft Strip (Optional)



NOTE: If relocating the installed soft strip, make sure that the adhesive tape on back of the soft strip covers the entire strip. The adhesive tape isolates the strip from the installation surface. Damaged or inconsistent adhesive tape may cause the contacts on the back of the strip to come in contact with the conductive heat sink which will cause the strip to short and burn. Call PureEdge Lighting to get replacement adhesive tape and/or optional aluminum heat sink tape (SS-HR-F).

- 1:** To remove tape residue from back of the strip, apply WD-40, Goo Gone, or a mixture of warm water and lemon oil to the corner of a clean, dry towel. Gently buff the area containing the adhesive residue until it is completely removed.
- 2:** Gently remove a few inches from one side of the tape backing. Attach the adhesive tape to the back of the soft strip and apply moderate pressure to affix the tape. Continue this step a few inches at a time until the entire adhesive tape is attached to the back of the soft strip.
- 3:** Refer to Section Three to reinstall the LED Soft Strips.