



1718 W. Fullerton Chicago, IL 60614
 Ph: 773.770.1195 • Fax: 773.935.5613
 www.PureEdgeLighting.com • info@PureEdgeLighting.com
 © 2016 PureEdge Lighting. All Rights Reserved.

Installation Instructions for TruArch 1 DIY Flexible Channel

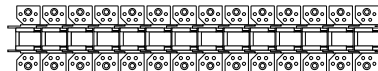


TAFX1-CH_

IMPORTANT INFORMATION

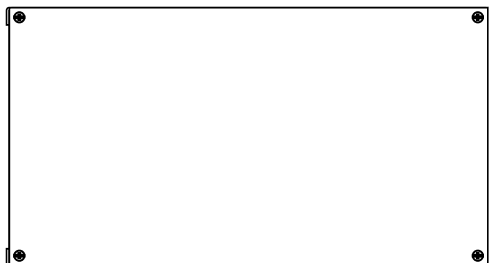
- This instruction must be used concurrently with other TruArch 1 DIY installation instructions.
- This product is wall or ceiling mount.
- This instruction shows a typical installation.

SAVE THESE INSTRUCTIONS!



Section One: Install the Remote Power Supply

A

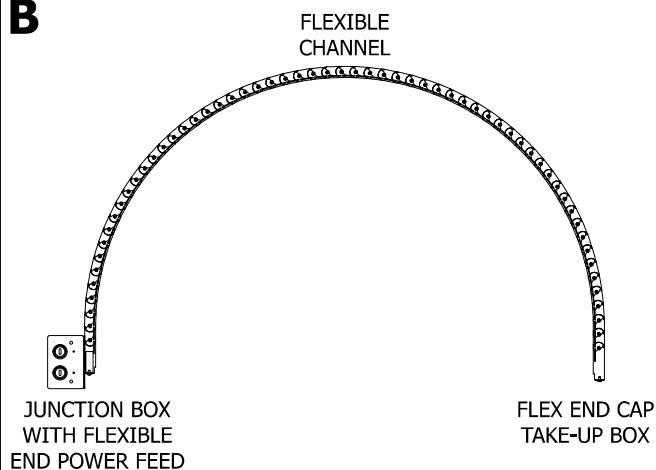


REMOTE POWER SUPPLY

- 1: Remote power supplies must be installed within 40ft of the junction box. Refer to the instructions and wiring diagram provided with the remote power supplies.

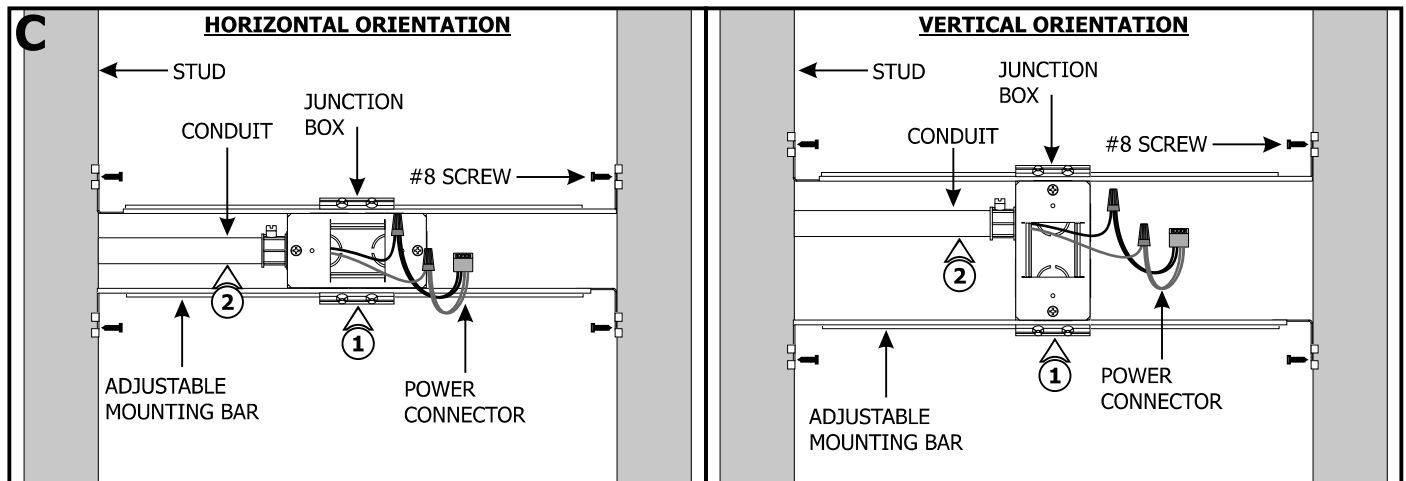
Section Two: Configuration Notes

B

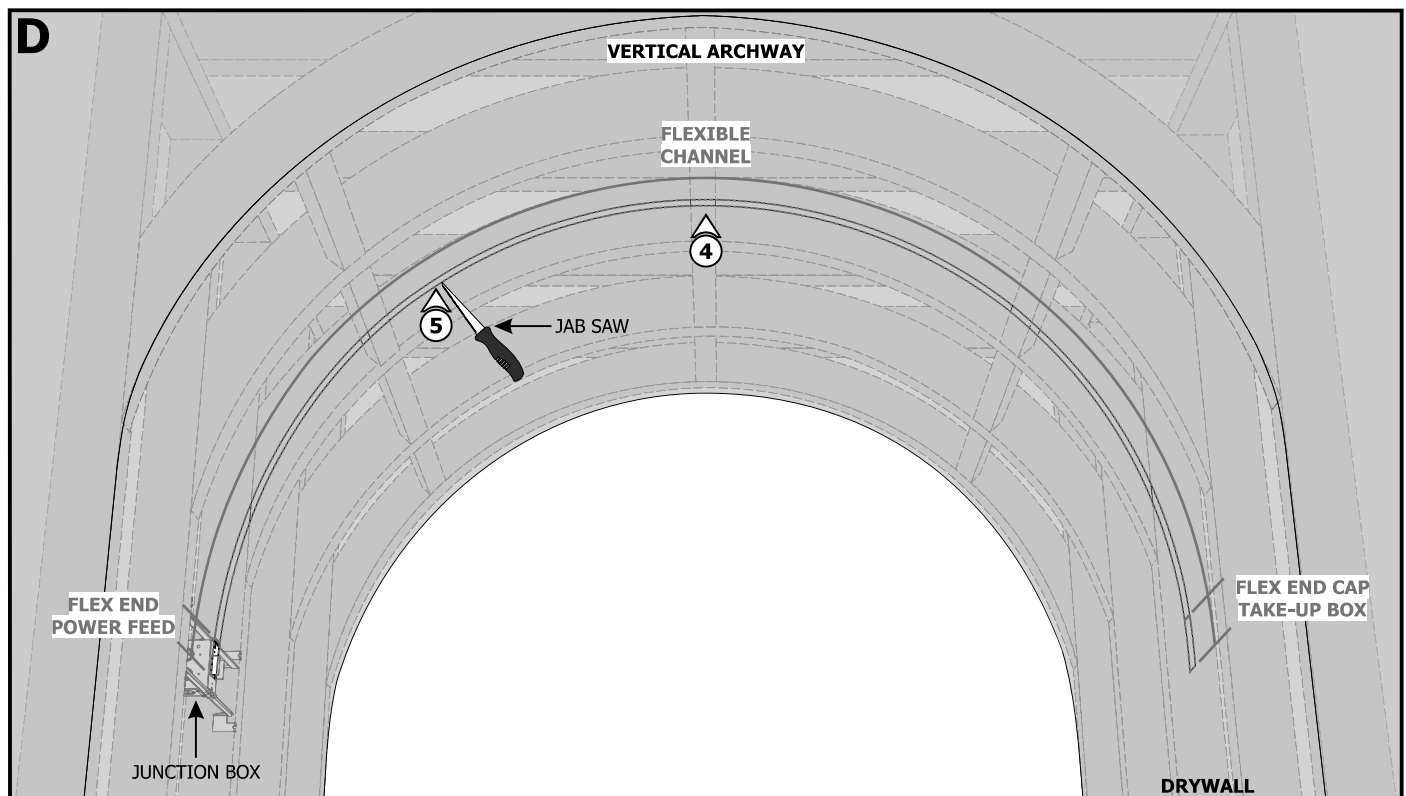


- 1: Lay out the fixture on the floor as a guide to determine the position of each component.
- 2: TruArch can be used within vertical archways or horizontally on curved walls with an inner or outer curvature and a minimum radius of 8".
- 3: Horizontal installations are typically installed perpendicular to wall studs. Where no stud/joist is present (or in a remodel installation) a mounting strap (MBAR) may be used to secure the channel to the drywall.
- 4: Vertical installations are typically installed between wall studs or ceiling joists. Cross braced stud sections or mounting straps (MBAR) are suggested to provide additional support every 32". Refer to Drawing E to install mounting straps or support braces.

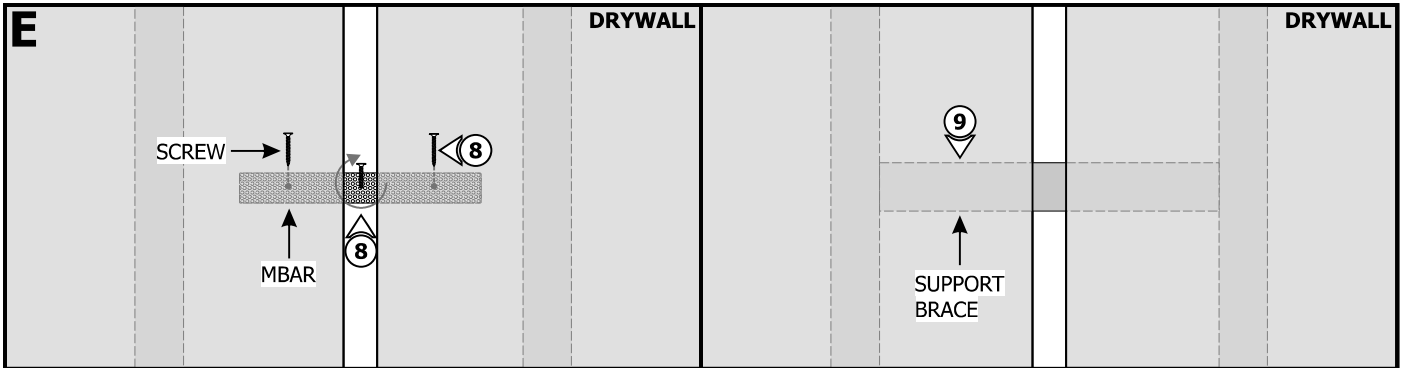
Section Three: Install the Junction Box



- 1:** Refer to the instructions provided with any of the TruArch 1 Power Feeds to install the junction box using the adjustable mounting bars. Secure the bars to the studs. Wire the power connector and test the LED Strip.
- 2:** Run the Class 2 24VDC low voltage wires coming from the remote power supply to the junction box. Only install conduit if required by local electrical code.



- 3:** Cut a section of drywall to expose the junction box area.
- 4:** Mark the area where the TruArch will be located on the wall using the junction box opening as a guide (MIN. 1-1/4"). Allow 3-3/8" at the end of the installation for Flexible Take Up Boxes (if any).
- 5:** Cut out the marked area on the drywall using a jab saw or other appropriate tool.
- 6:** Install the drywall aligning it with the junction box.
- 7:** Mark the location of the studs and mounting straps (MBAR) on the drywall for future reference.



NOTE: To install the channel in a wall without standard-spaced joists, install perforated mounting straps (**MBAR**) every 32" behind drywall.

NOTE: For areas with lots of vibrations, it is suggested to install 2X4 support braces (suggested spacing is every 32") before installing and finishing drywall to avoid cracking of plaster. Refer to the step 9, Alternate Installation Option.

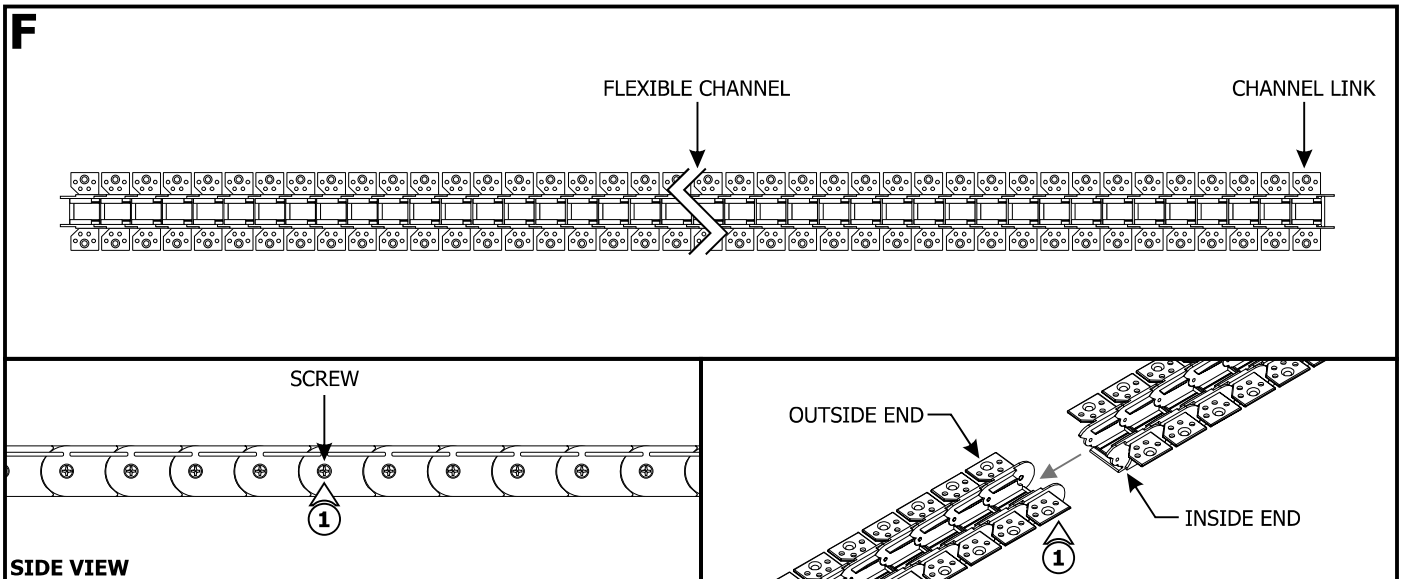
Additional Mounting Support:

8: Thread a drywall screw into the perforated material. Use the screw to hold and place the mounting strap (**MBAR**) behind the drywall, and then rotate it in place. Secure the mounting strap to the drywall using two drywall screws. Mark the location of the mounting strap on the drywall.

Alternate Installation Option:

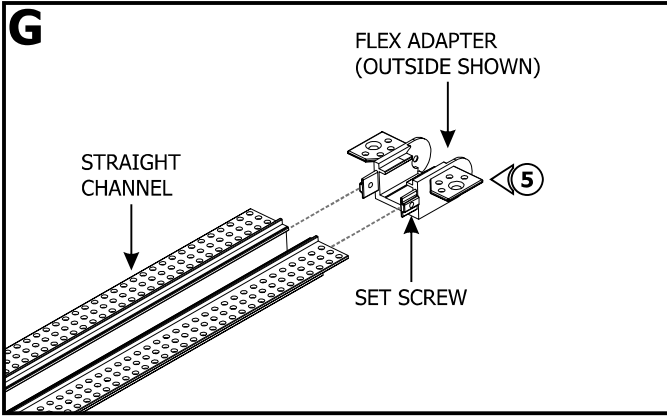
9: Install 2X4 support braces (suggested spacing is every 32") before installing and finishing drywall.

Section Four: Install the Channel and Connectors



Adjust the Channel Length:

- 1:** To lengthen the Flexible Channel, align the inside end of the Flexible Channel with the outside end of the other Flexible Channel. Slide the ends together and align the screw holes on the sides of each channel link. Tighten the two screws to secure in place.
- 2:** To shorten the Flexible Channel, loosen the two screws on the sides of the channel and remove the channel section. **DO NOT** cut the channel.
- 3:** Repeat steps 1 and 2 to adjust the length of the remaining Flexible Channels.



Connecting Straight Channel to Flexible Channel

4: Use the Inside and Outside Flex Adapters (**TAFX1-AIO**) to connect a straight channel to a Flexible Channel.

5: Slide the Flex Adapter into the end of the straight channel and tighten the two M3 set screws using a 1.5mm Allen wrench to secure in place.

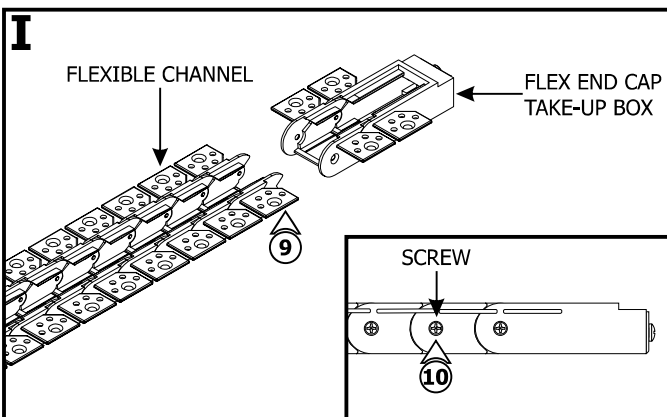
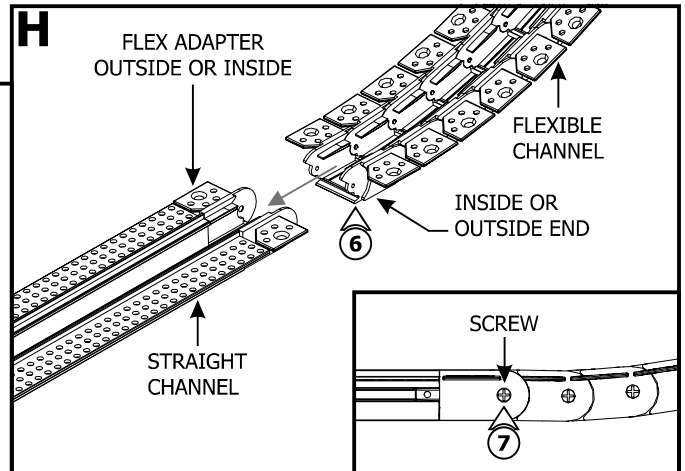
NOTE: End portion of the TruArch channel can be used as a straight part of the design for a smooth transition.

6: Depending on the design, align the Outside Flex Adapter with the inside end of the Flexible Channel or the Inside Flex Adapter with the outside end of the Flexible Channel.

7: Slide the end of the Flexible Channel into the Flex Adapter. Tighten the two screws on the sides of the Flex Adapter to secure in place.

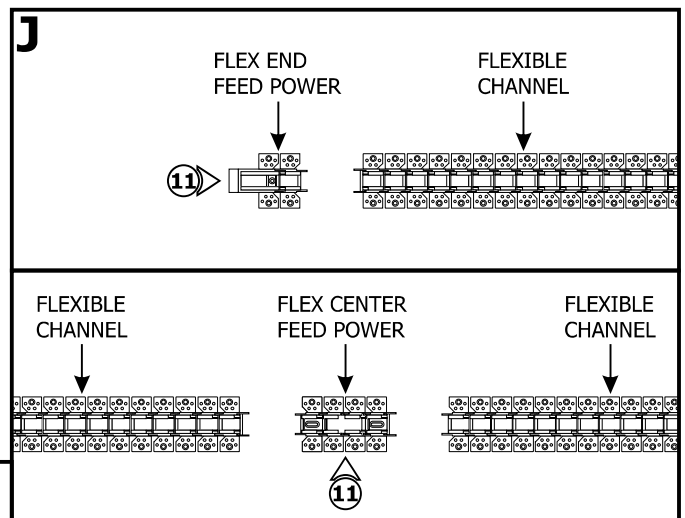
8: Repeat steps 4 through 7 to connect the remaining sections.

NOTE: Refer to the instructions provided with the Straight Channel to install straight channels and connectors.

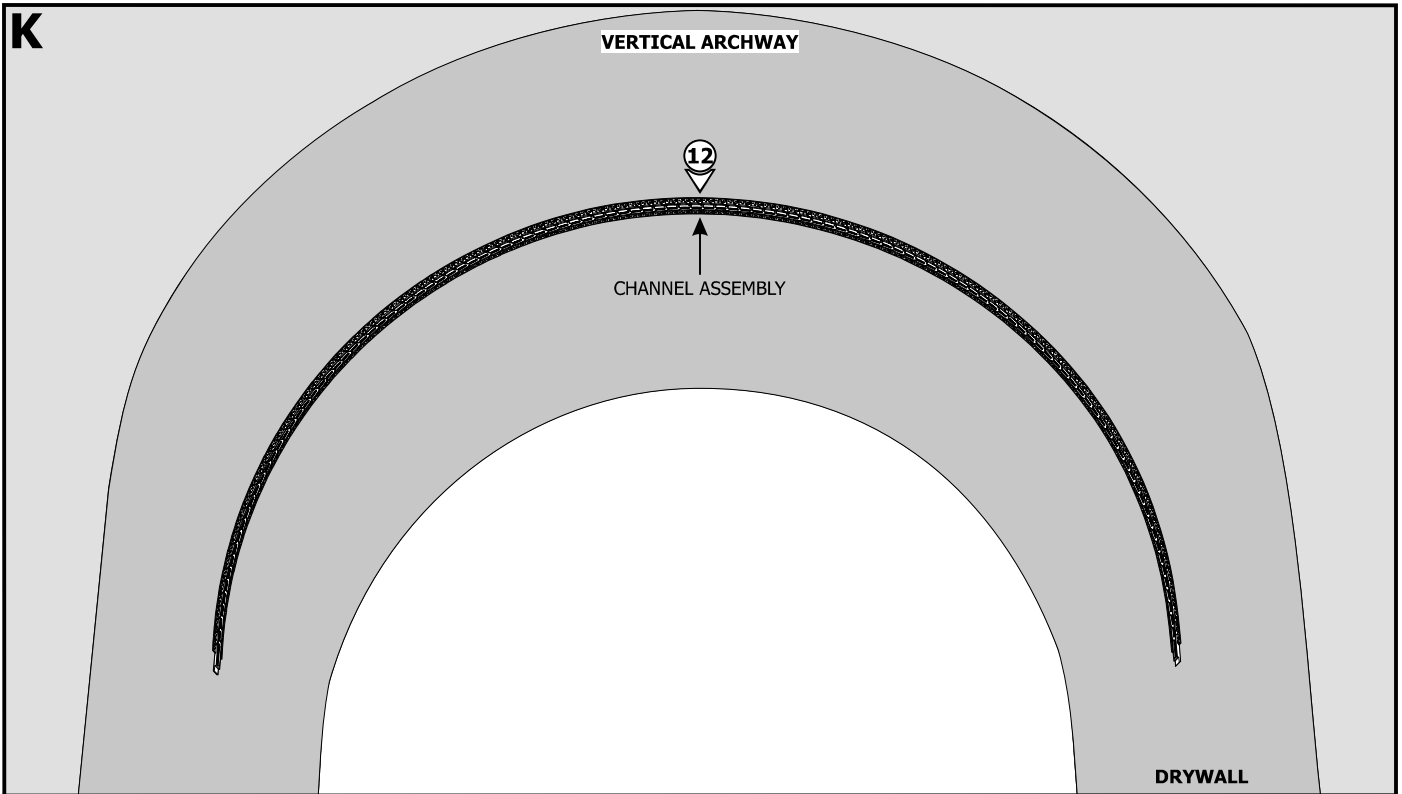


9: Install the Flex End Cap Take-Up Box at the end of a Flexible Channel installation run. Depending on the design, align the Outside Flex Take-Up Box with the Inside end of the channel or the Inside Flex Take-Up Box with the Outside end of the channel.

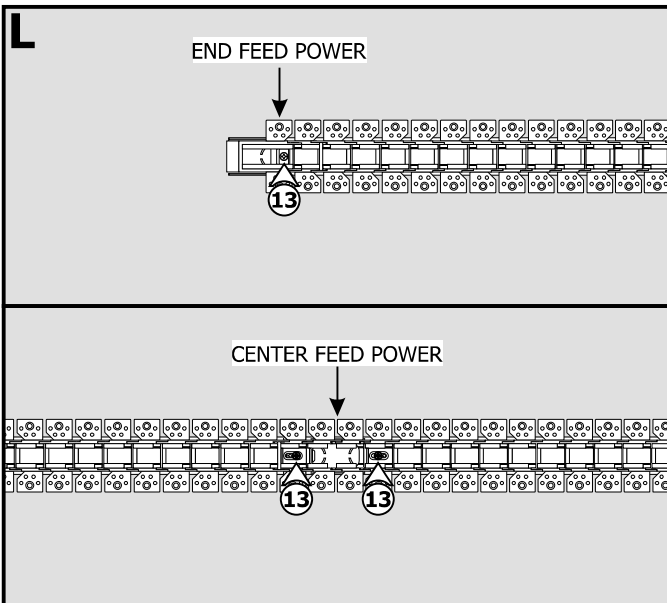
10: Slide the Take-Up Box into the channel and tighten the two screws to secure in place.



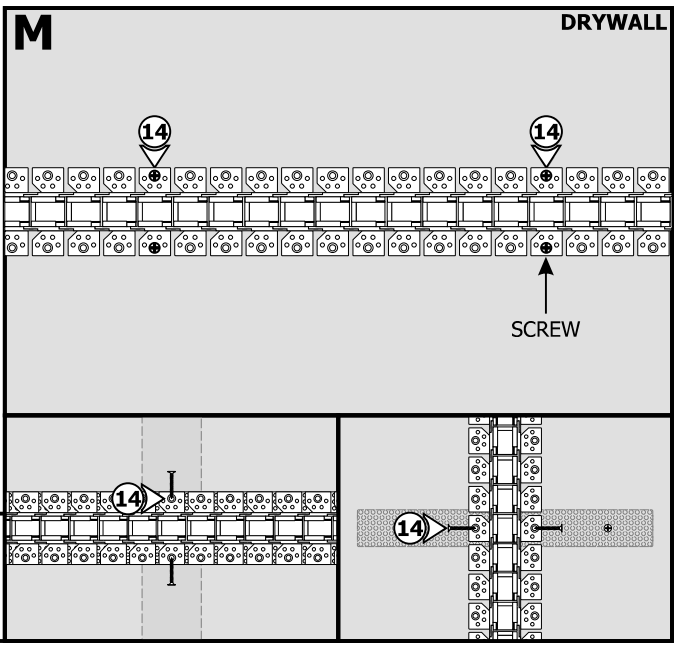
11: Refer to the instructions provided with the TruArch 1 Flex Power Feeds to connect the channels.



12: Place the assembled channel in the drywall cutout.

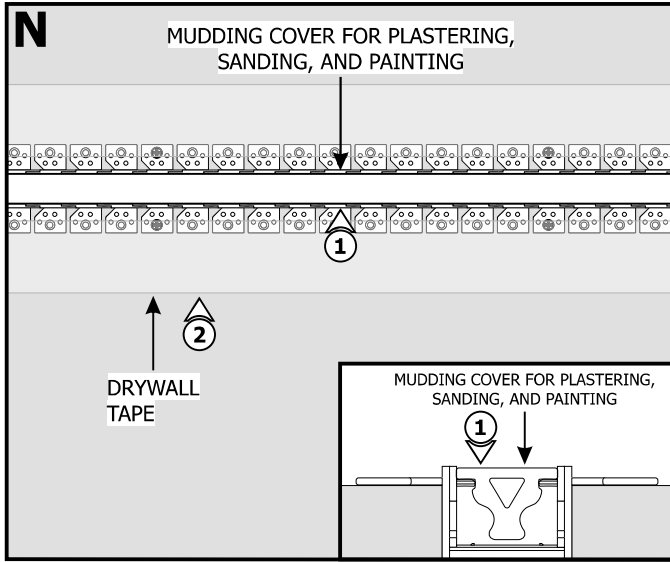


13: Secure the TruArch 1 Flexible Power Feed to the junction box using the provided screw(s).



14: Properly secure the Flexible Channel to the marked studs and mounting straps using drywall screws (**DO NOT over tighten**). Ensure all screw heads are flush with the channel surface.

Section Five: Plaster, Sand and Paint the Flexible Channels



NOTE: For areas with lots of vibrations, it is suggested to use Durabond to avoid cracking of plaster.

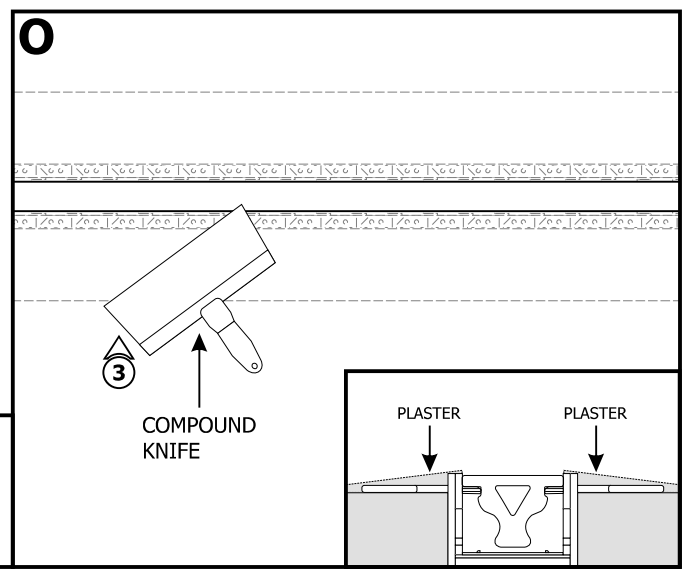
NOTE: Do Not use premixed joint compound "Soft Mud". No use compuesto para juntas premezclado "Soft Mud".

NOTE: Do Not use the lens to plaster, sand, and paint.

1: Place the mudding cover for plastering, sanding and painting inside the channel.

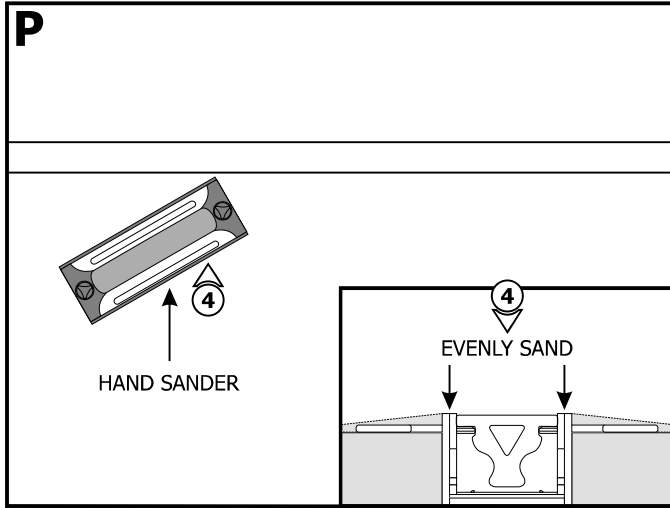
2: Must apply drywall tape (Ultra-Thin drywall tape suggested) along edges of the channel to prevent cracking of plaster after installation. **DO NOT** overlap strips of drywall tape.

NOTE: Recommended plaster method: 1st Coat - Durabond 25 with 8" Blade, 2nd Coat - Easy Sand 45 with 10" Blade, 3rd Coat - with 12" blade. Taper the plaster to blend with the surface.
3: Use a 12" compound knife for a smooth compound spread.

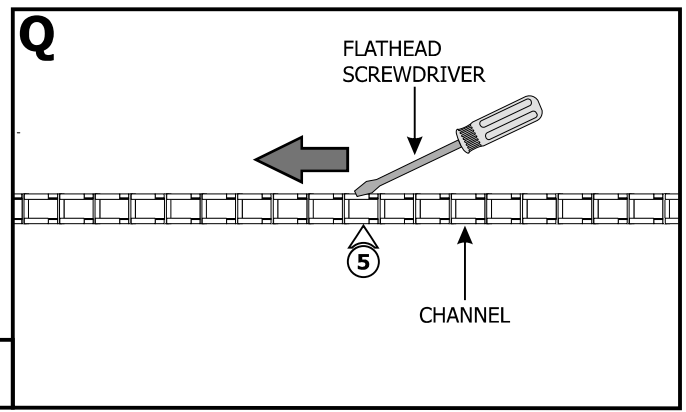


4: Evenly sand the plaster until it blends with the top of the cover and the curved wall or ceiling, ensuring no visible seams, before applying paint.

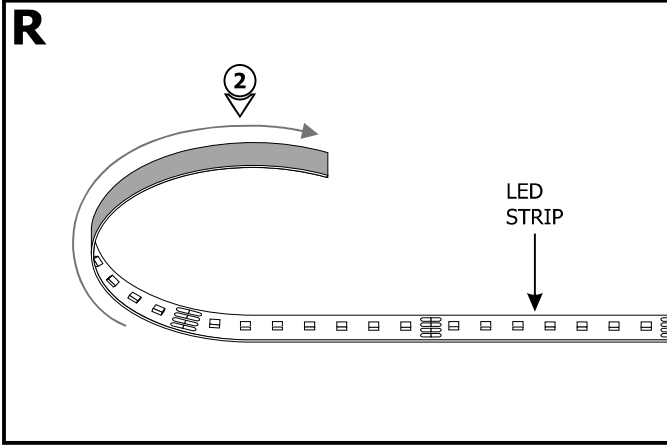
NOTE: Discard the mudding cover after use.



5: Carefully use a flathead screwdriver to remove excess drywall from the internal bevel/edge.

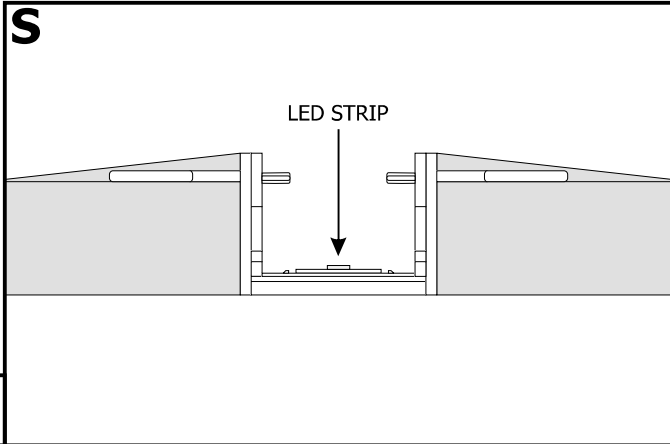


Section Six: Install the LED Strip

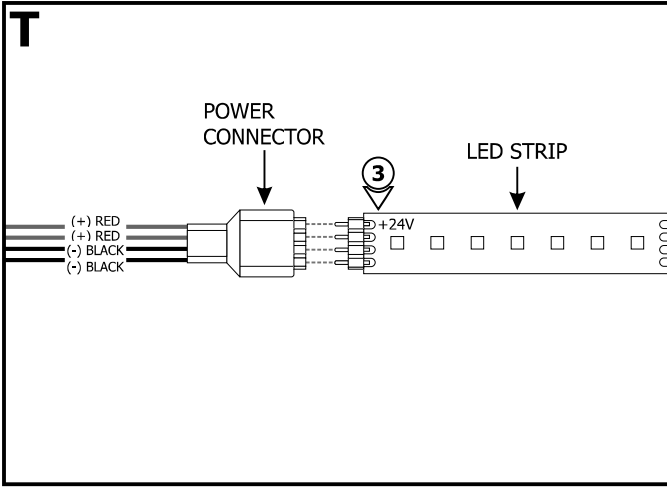


NOTE: LED Strip may not properly adhere to the channel surface unless the channel is cleaned with alcohol prior to application.

- 1: Clean the channels surface with alcohol to remove any dust or debris before continuing.
- 2: Gently uncoil the LED Strip before applying to the channel surface otherwise the strip may lift off of the surface.

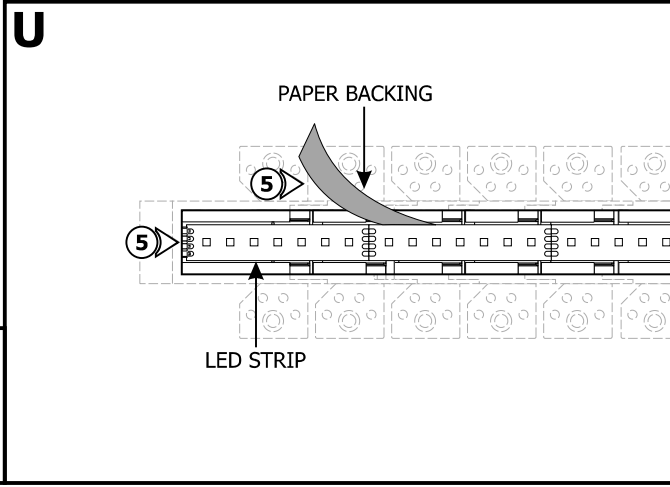


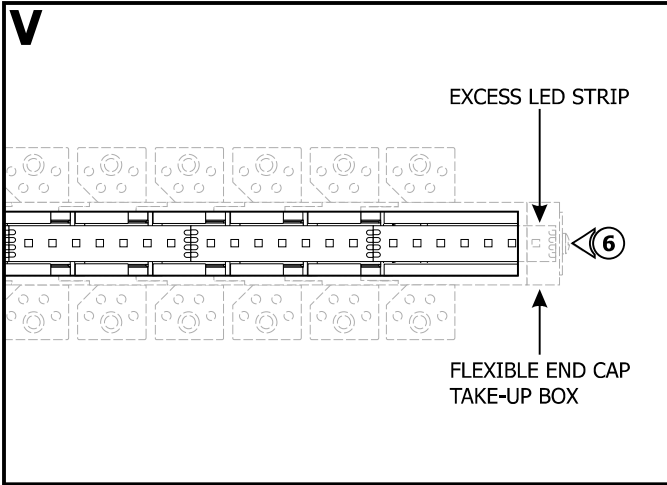
NOTE: The LED strip is placed on the bottom of the channel.



- 3: Line up the "+" wire side of the power connector with the "+24V" marking on the LED Strip. Push the male connector of the strip into the power connector.
- 4: Refer to the instructions provided with the TruArch 1 Flexible power feeds to properly install the LED Strip onto the channel.

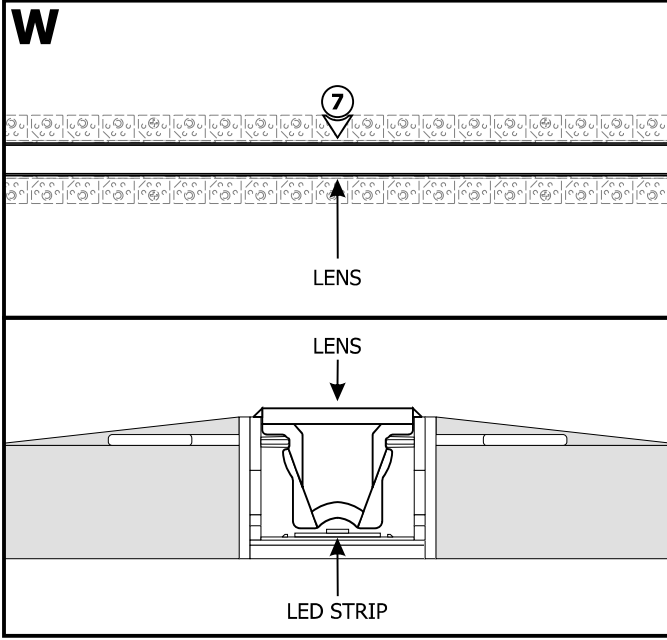
5: Carefully remove the backing from the LED Strip, making sure not to remove the tape. Firmly press down the adhesive portion of the LED Strip onto the channel surface while removing the rest of the backing, making sure there are no air bubbles that can cause surface irregularities.





6: If required, trim the LED Strip on the dashed cuttable section and place the excess LED Strip inside the Flexible End Cap Take-Up Box. Ensure the entire length of the channel is covered with LED Strips to avoid until areas.

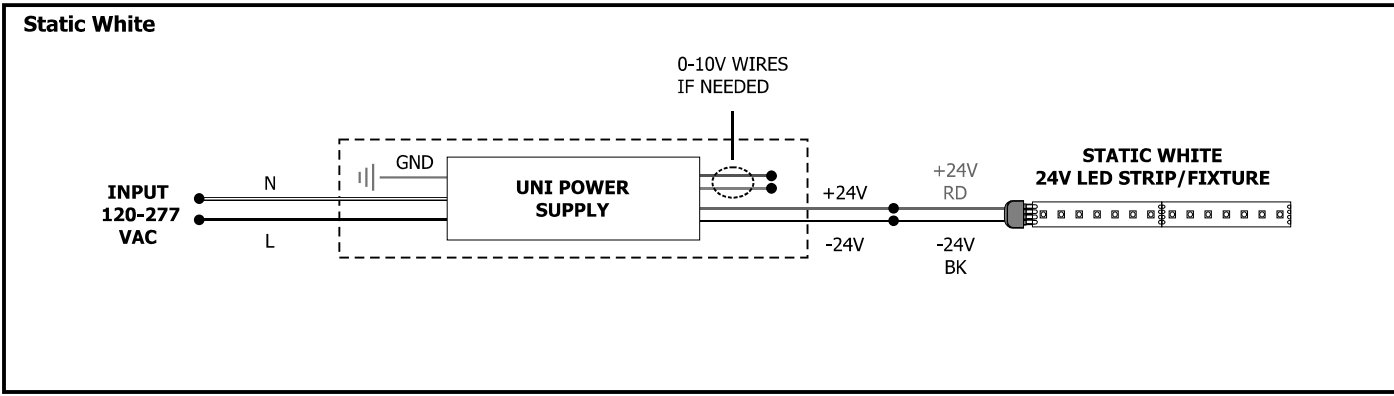
Section Seven: Install the Lens



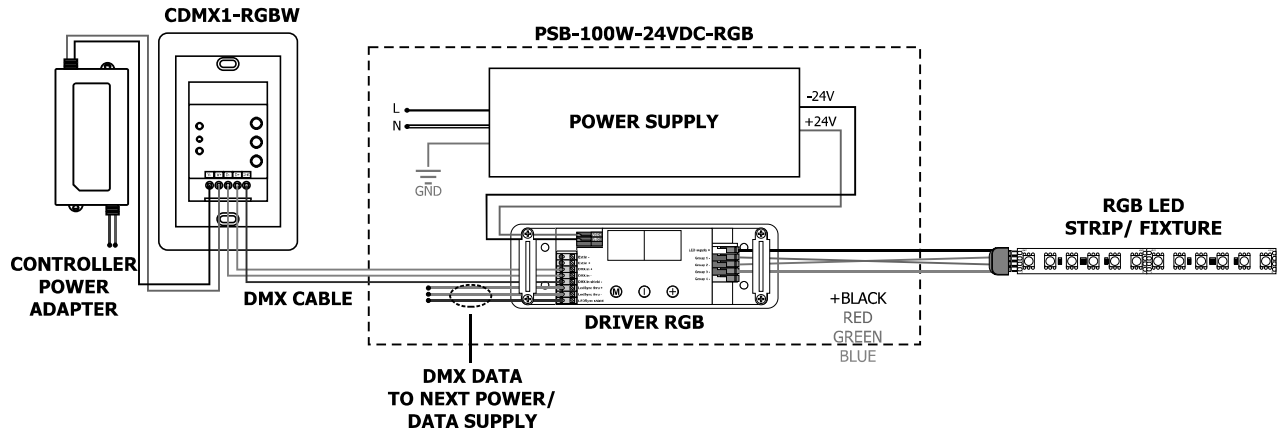
7: Carefully push the lens completely inside the channel.

NOTE: Use the lens for the final clean installation. **Do Not** use the mudding cover.

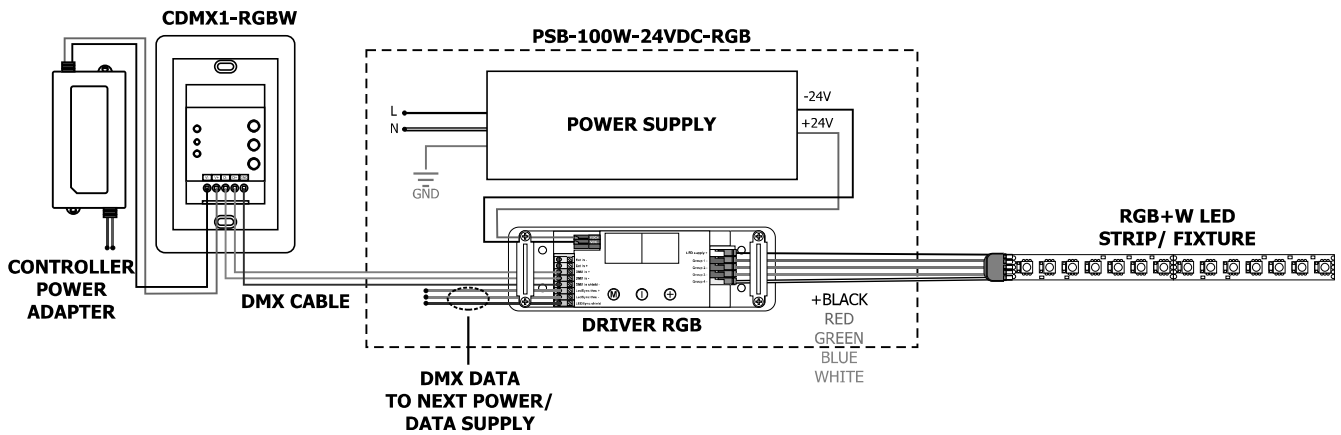
General Wiring Diagrams



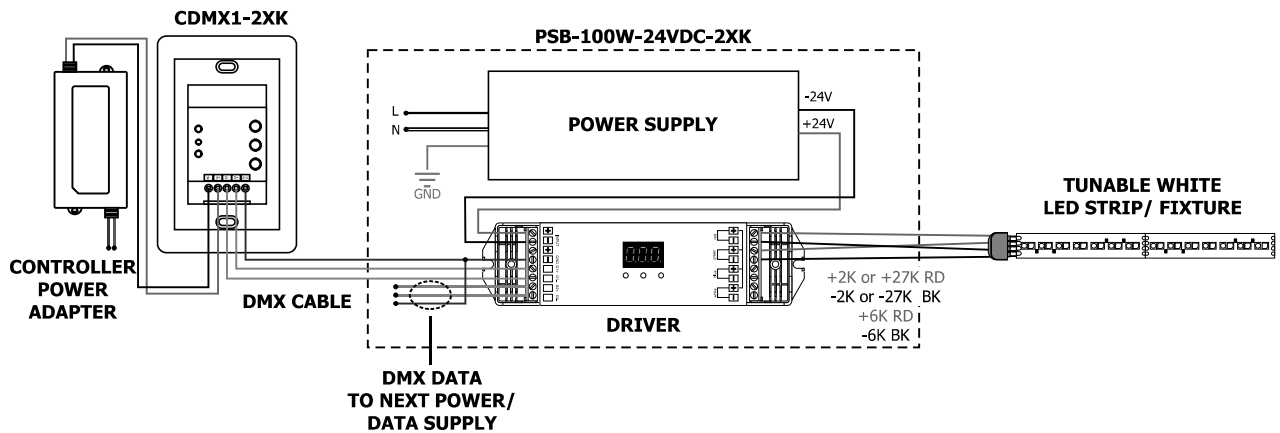
RGB Configuration: Using LED Power Supply with RGB Soft Strip & CDP, CTP or CDMX Control (Shown)



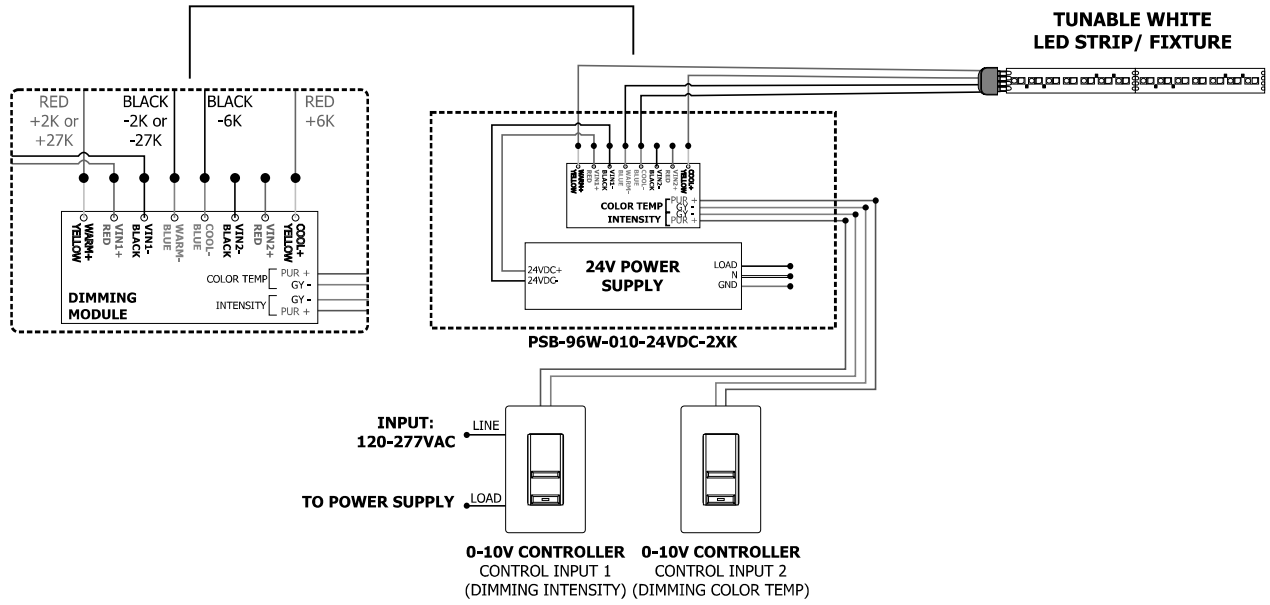
RGB+W Configuration: Using LED Power Supply with RGB+W Soft Strip & CDP, CTP or CDMX Control (Shown)



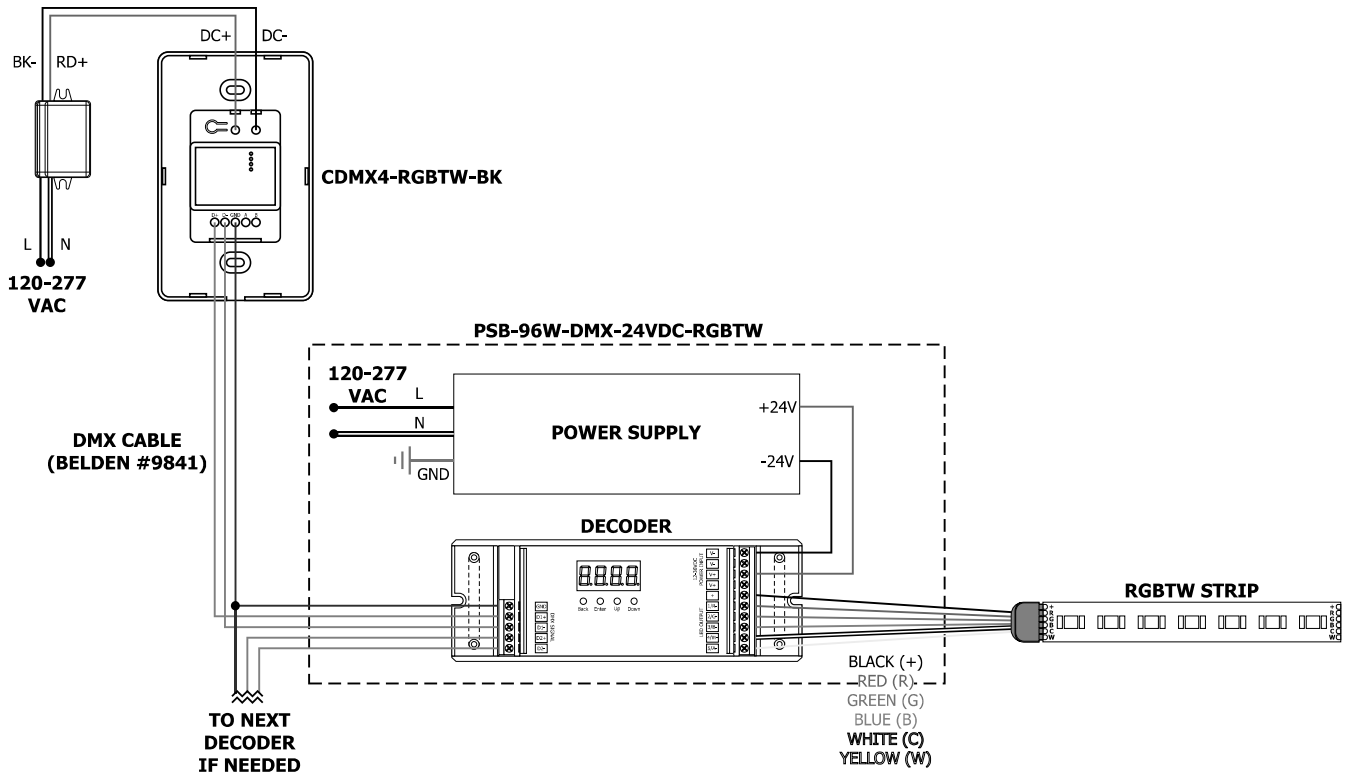
Tunable White: 2XK Power Supply with CDMX Controller



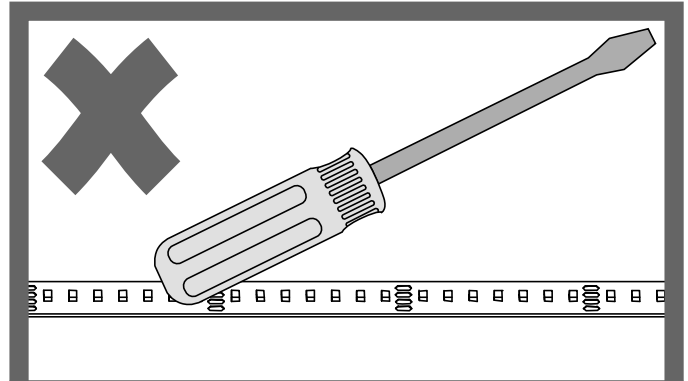
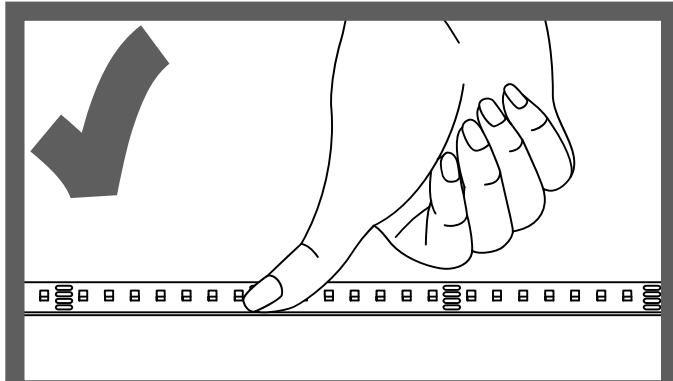
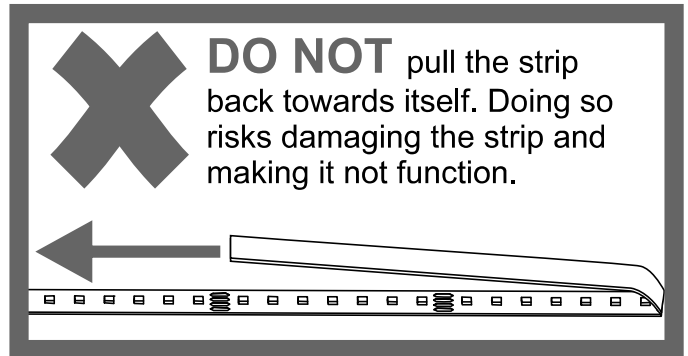
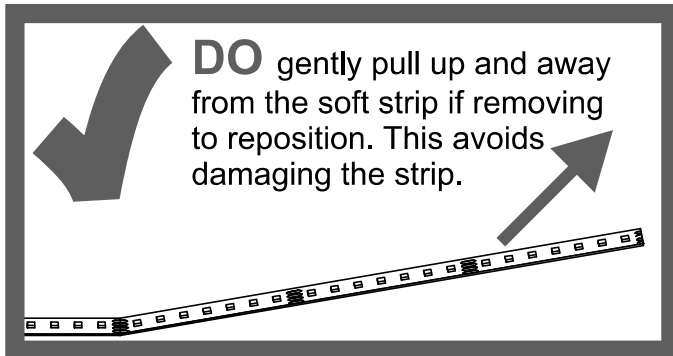
Tunable White: LED Power Supply with two Channel Controls, for Intensity and Color Temperature



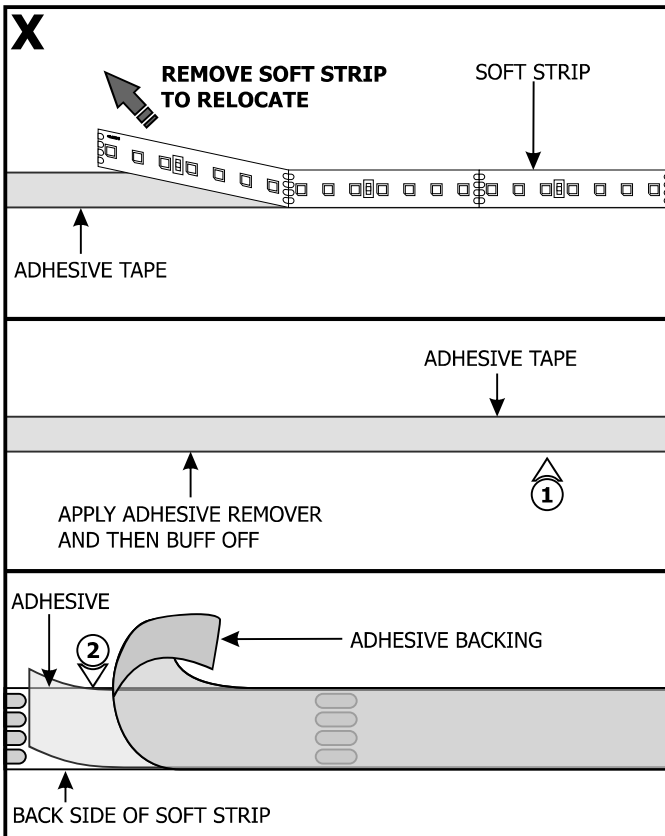
RGBTW: DMX Power Supply with CDMX Controller



IMPORTANT INFORMATION REGARDING INSTALLATION AND REWORK OF SOFT STRIP LED



Relocating Soft Strip (Optional)



NOTE: If relocating the installed soft strip, make sure that the adhesive tape on back of the soft strip covers the entire strip. The adhesive tape isolates the strip from the installation surface. Damaged or inconsistent adhesive tape may cause the contacts on the back of the strip to come in contact with the conductive heat sink which will cause the strip to short and burn. Call PureEdge Lighting to get replacement adhesive tape and/or optional aluminum heat sink tape (SS-HR-F).

- 1:** To remove tape residue from back of the strip, apply WD-40, Goo Gone, or a mixture of warm water and lemon oil to the corner of a clean, dry towel. Gently buff the area containing the adhesive residue until it is completely removed.
- 2:** Gently remove a few inches from one side of the tape backing. Attach the adhesive tape to the back of the soft strip and apply moderate pressure to affix the tape. Continue this step a few inches at a time until the entire adhesive tape is attached to the back of the soft strip.
- 3:** Refer to Section Six to reinstall the LED Strips.