



1718 W. Fullerton Chicago, IL 60614
 Ph: 773.770.1195 • Fax: 773.935.5613
 www.PureEdgeLighting.com • info@PureEdgeLighting.com
 © 2016 PureEdge Lighting. All Rights Reserved.

Installation Instructions for Truline 1A L-Picture Frame Channel Connector

TL1A-L

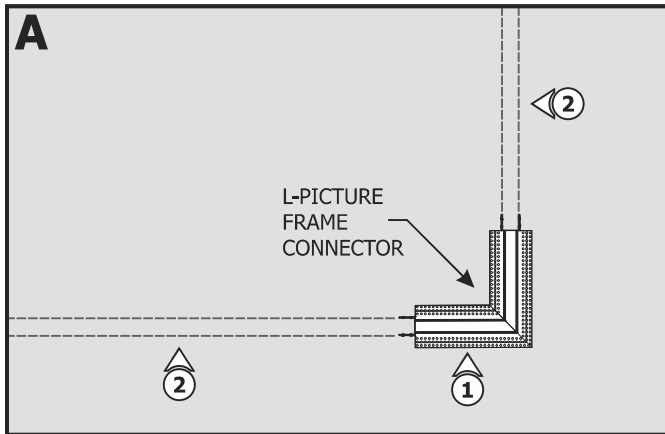
IMPORTANT INFORMATION

- This instruction must be used concurrently with other TruLine 1A BIY installation instructions.
- This product is wall or ceiling mount.
- This instruction shows a typical installation.

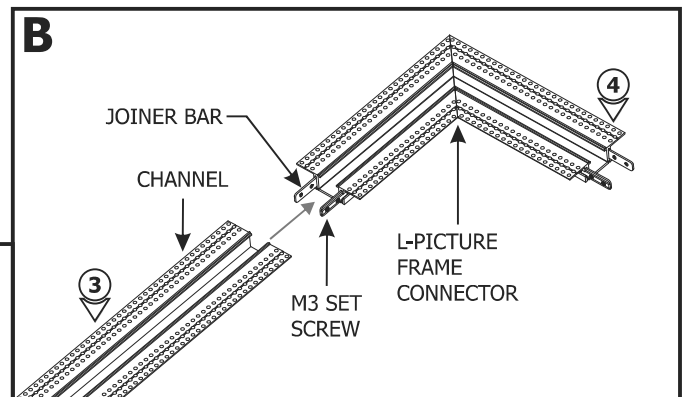
SAVE THESE INSTRUCTIONS!



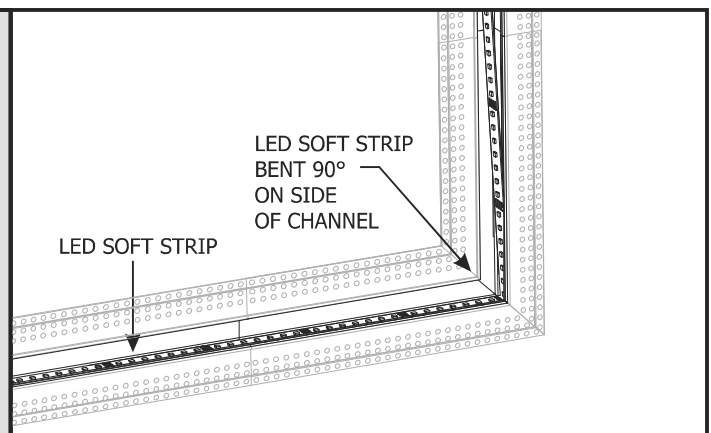
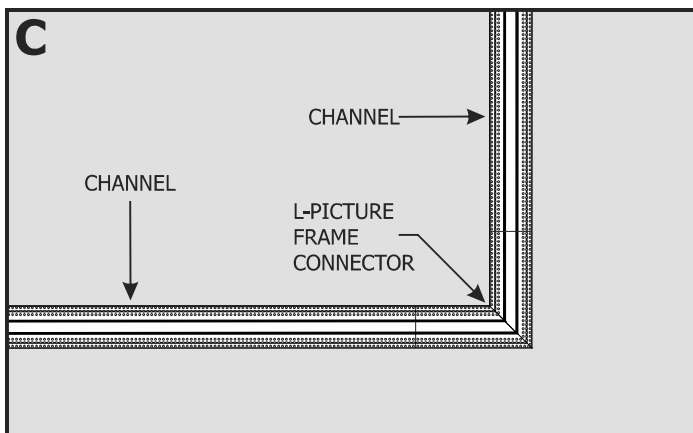
Section One: Install the L-Picture Frame Channel



- 1: Place the L-Picture Frame Connector against the wall. Ensure L-Picture Frame Connector is aligned with the TruLine Channel installation location.
- 2: Mark the installation location of the L-Picture Frame Connector on the drywall using a pencil or chalk line before cutting.

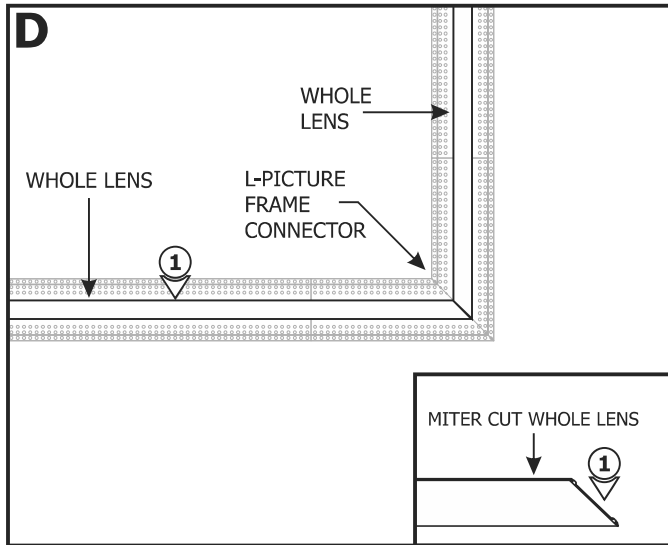


- 3: Slide a channel into the joiner bars and tighten the remaining M3 set screws using a 1.5mm Allen wrench.
- 4: Repeat step 3 for the other end of the L-Picture Frame Connector.



- 5: Follow steps described in the TruLine 1A Channel and Lens installation instructions to continue the installation.

Section Two: Lenses



1: To avoid seams and light leaks, use the precut lenses that were provided with the L-Picture Frame Connector as a guide to miter cut the whole lenses. Use the whole lenses to cover the L-Picture Frame Connector along with the rest of the installed channels.

2: Discard the precut lenses.