



1718 W. Fullerton Chicago, IL 60614
 Ph: 773.770.1195 • Fax: 773.935.5613
 www.PureEdgeLighting.com • info@PureEdgeLighting.com
 © 2016 PureEdge Lighting. All Rights Reserved.

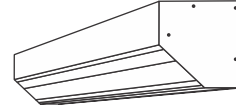
Installation Instructions for **Stratus**

SH_-SP_-

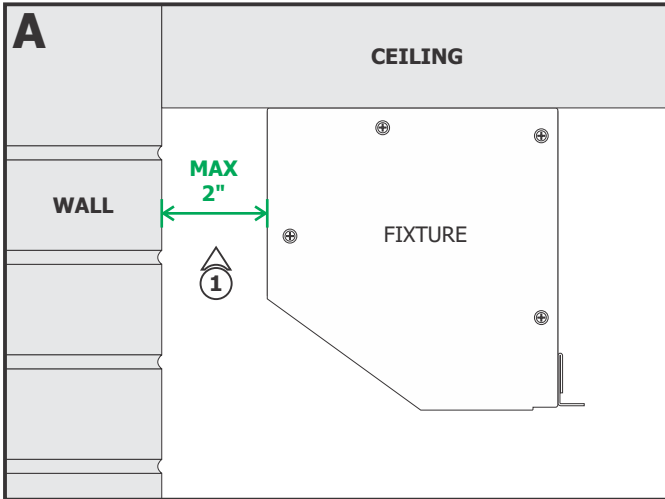
IMPORTANT INFORMATION

- This product is suitable for indoor damp locations or outdoor under awning.
- This instruction shows a typical installation.
- This product is ETL listed.

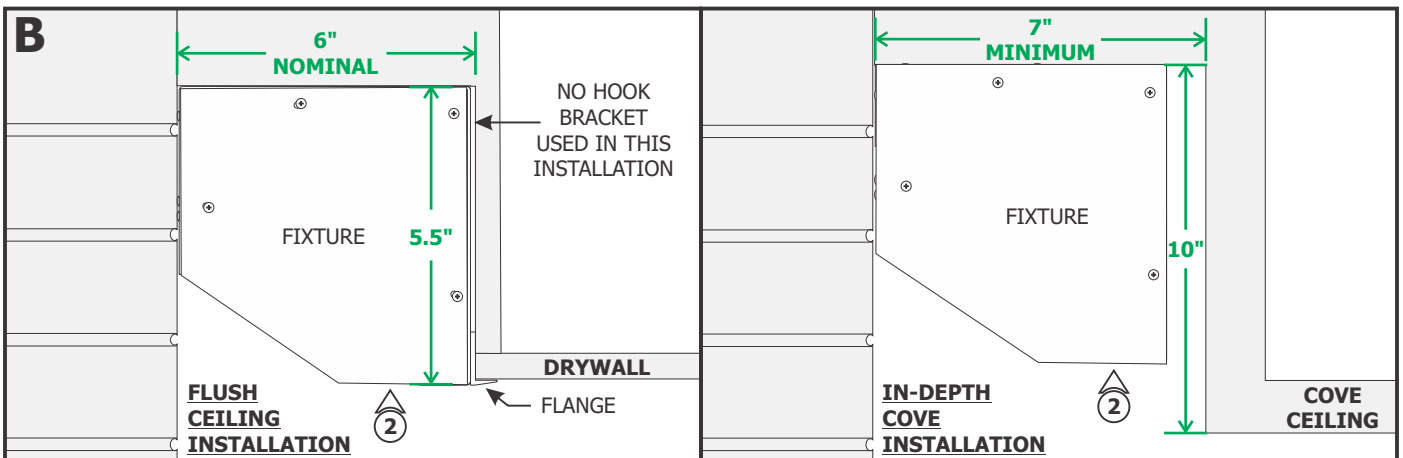
SAVE THESE INSTRUCTIONS!



Install the Fixture

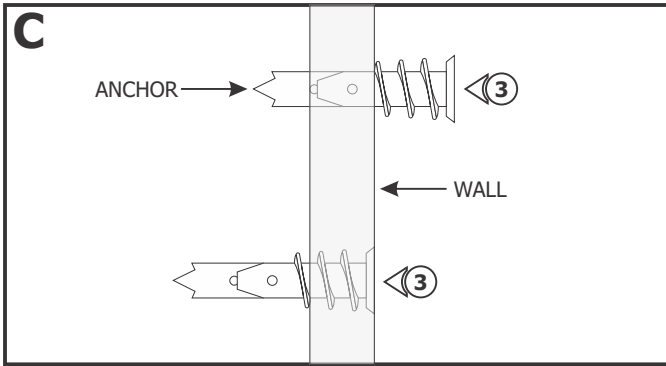


1: Depending on the design of the wall texture, it is recommended to power a section of the Stratus, hold it against the ceiling and next to the wall. Move the fixture maximum 2" away from wall to find the best grazing option for the textured wall.



2: Determine the location where the fixture will be installed. In most cases, the fixture will be installed in either a flush ceiling or in a in-depth cove installation.

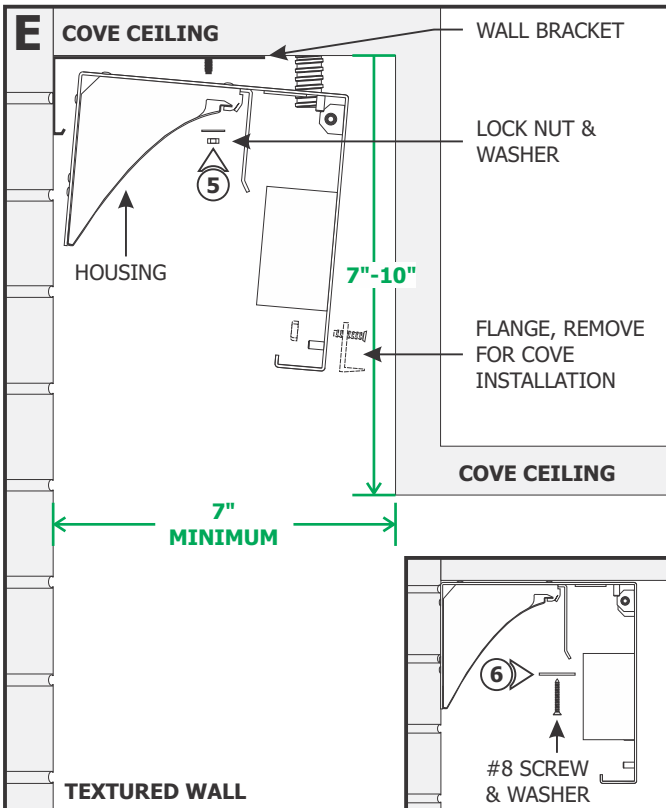
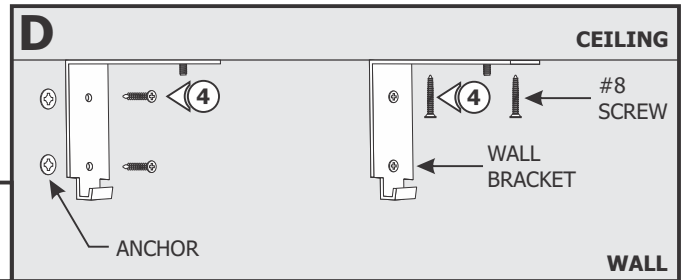
NOTE: If installing fixture in an in-depth cove location, the flange does not have to be used. Loosen and remove the four Phillips screws and pull the flange off. Refer to the Hole Identification Diagram on Page 4.



NOTE: Use the fixture as a template by aligning it against the wall, ceiling, and the electrical conduit(s), and mark the necessary holes for installation. Punch out the marked knockout holes. Refer to the hole identification drawing on Page 4 for proper installation.

3: Tap the anchors onto the marked locations up to the threaded portion with a hammer. Screw the threaded portion of the anchors in with a Phillips screwdriver.

4: FOR IN-DEPTH COVE INSTALLATION ONLY: Mount each wall bracket onto the anchors and secure it with the provided four #8 screws.



NOTE: For a cove (7" - 10") installation, remove the flange for a tighter fit installation.

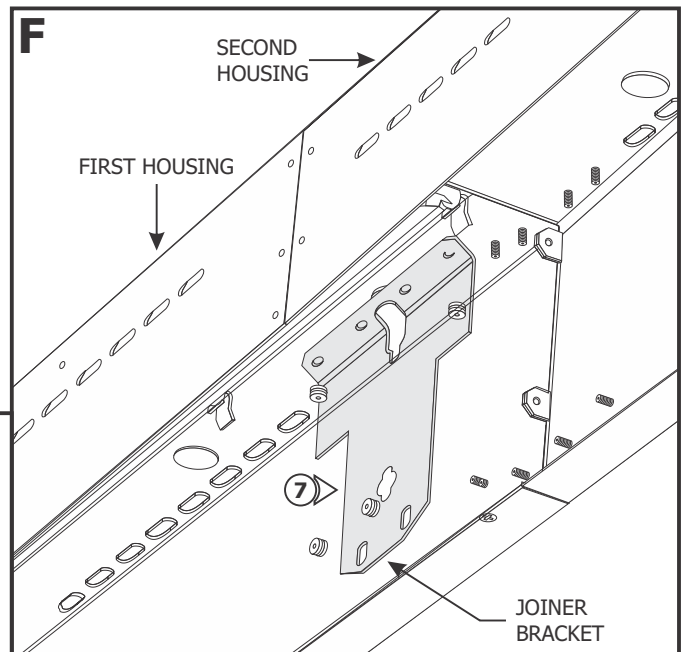
5: FOR IN-DEPTH COVE INSTALLATION ONLY: Align the fixture to the wall bracket and secure with the lock nut and washer.

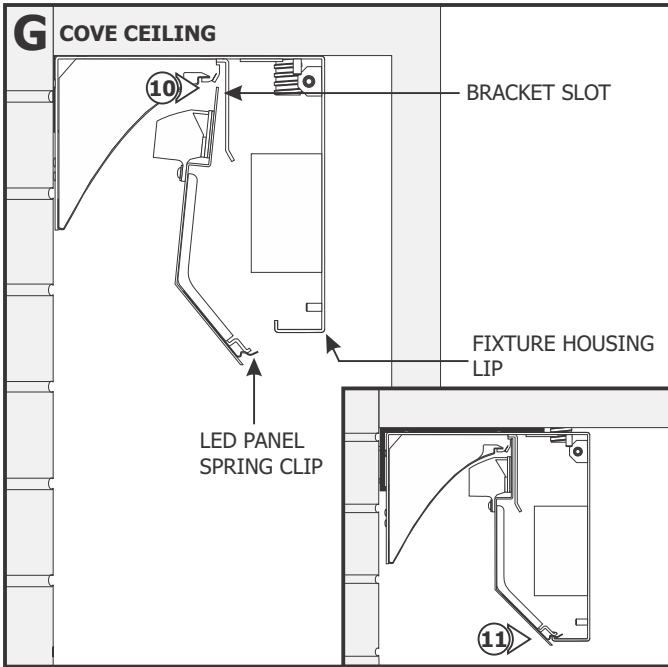
6: FOR FLUSH CEILING INSTALLATION ONLY: Secure the housing to the ceiling with the #8 screws & washers to the anchors.

7: Use the additional provided joiner bracket, when joining two fixtures together.

8: Follow step 1 through 6 to install the remaining fixtures.

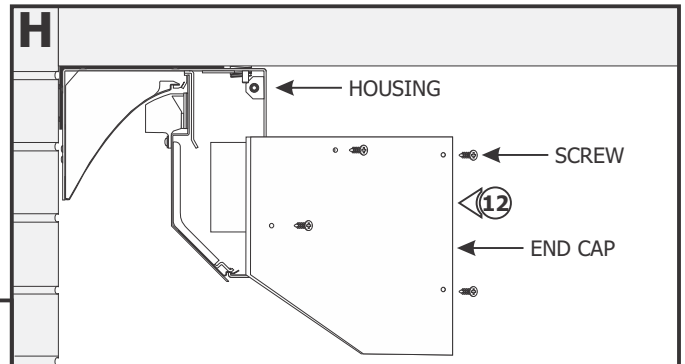
9: Make all the proper wire connection following the wiring diagram on page 4. **(Not required for joiners without LEDs or power supplies.)**



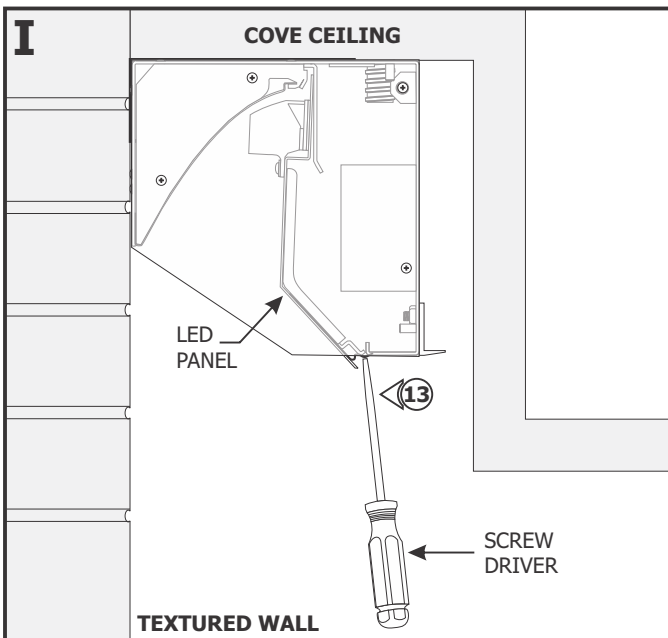


10: Insert the top portion of the LED panel into the bracket slot. Slide the bottom portions spring clip onto the fixture housing lip and snap in.

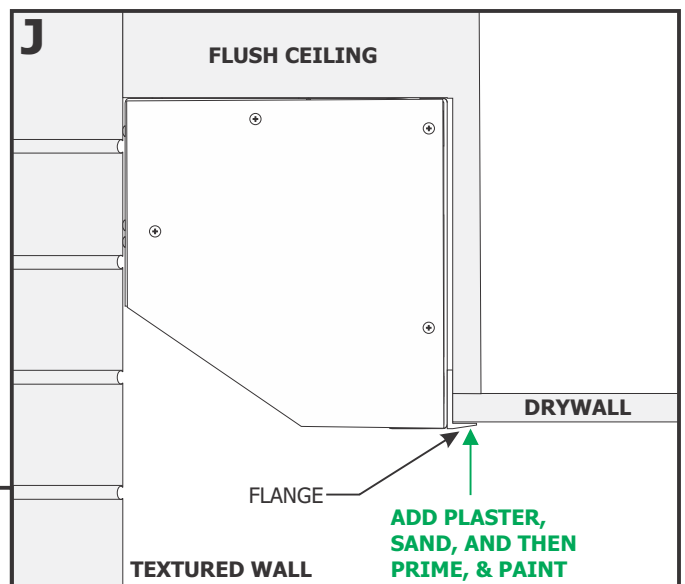
11: Follow the wiring diagram on Page 4 for proper wiring.



12: Secure the end caps to the housing with the four screws provided.

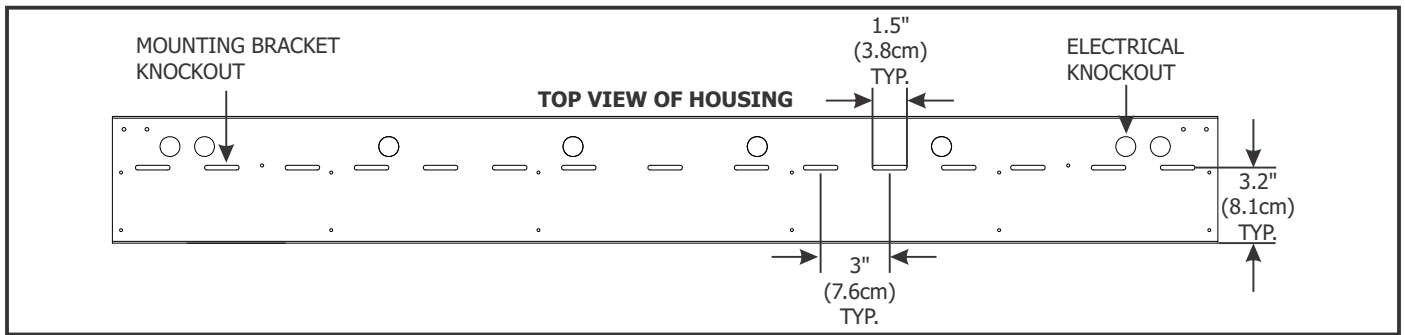


13: To access the inside of the fixture, you can use a flat head screw driver to pull the LED panel out.



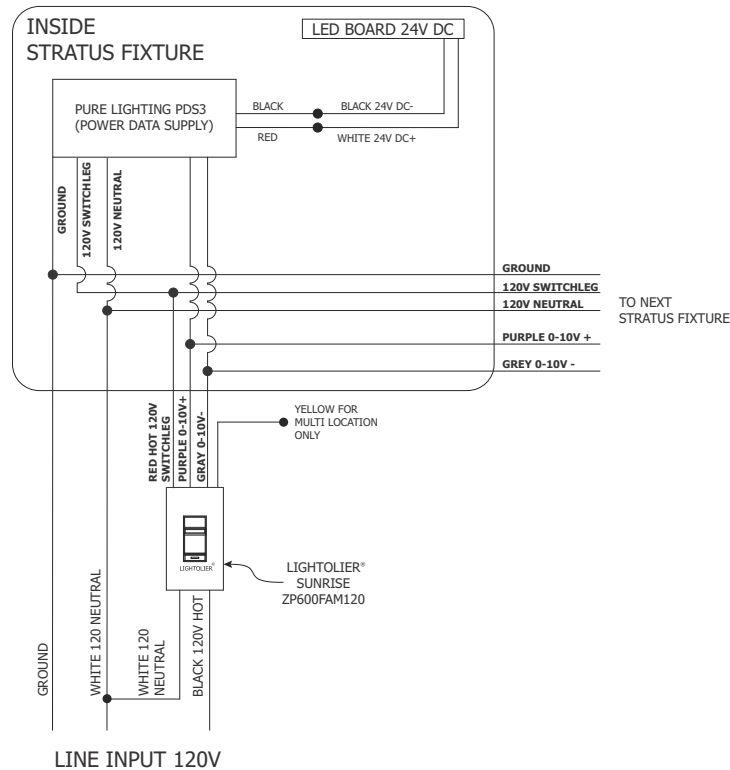
NOTE: If the fixture was installed against drywall, plaster, sand, and then prime & paint the flange to complete the installation.

Hole Identification



General Wiring Diagram

This fixture requires two wires for input power and two wires for dimming control, please follow the diagram as shown



Overview: Connecting Multiple Fixtures

Refer to diagram above for detailed wiring

