



1718 W. Fullerton Chicago, IL 60614  
 Ph: 773.770.1195 • Fax: 773.935.5613  
 www.PureEdgeLighting.com • info@PureEdgeLighting.com  
 © 2016 PureEdge Lighting. All Rights Reserved.

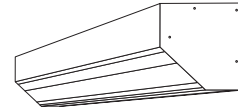
## Installation Instructions for **Stratus RGB**

**SH\_-SP\_-RGB**

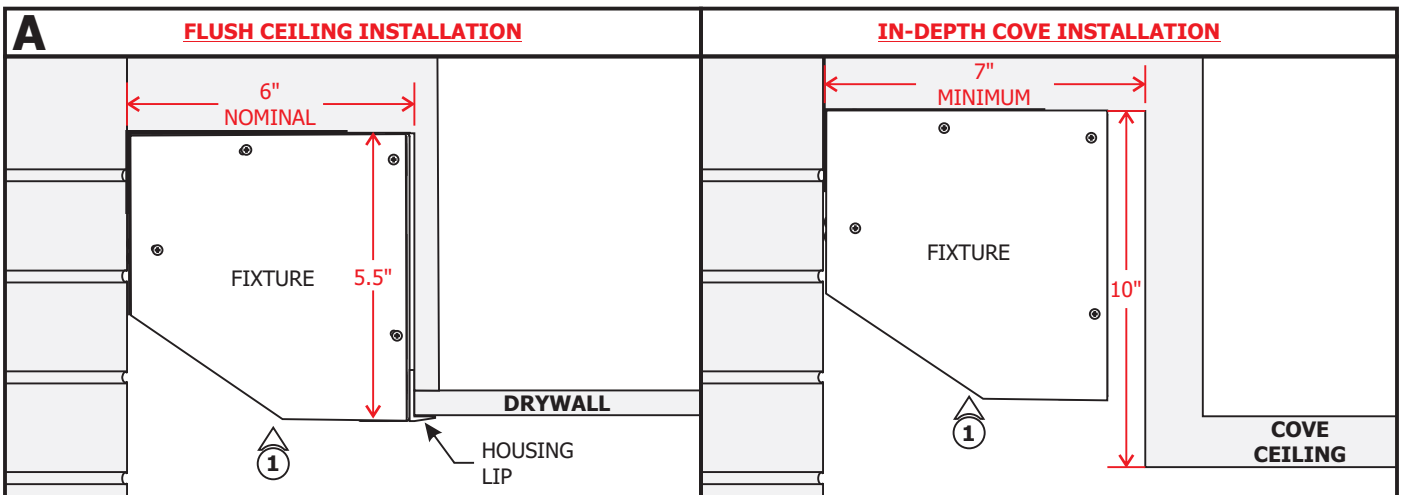
### IMPORTANT INFORMATION

- This product is suitable for damp locations or outdoor under awning.
- This instruction shows a typical installation.
- This product is ETL listed.

**SAVE THESE INSTRUCTIONS!**

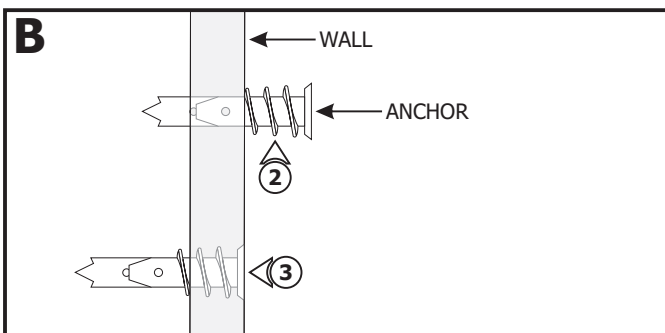


## Install the Fixture



**NOTE:** If installing fixture in an in-depth cove location the housing lip does not have to be used. Loosen and remove the four Phillips screws and pull the housing lip off.

- 1:** Determine the location where the fixture will be installed. In most cases, the fixture will be installed in either a flush ceiling or in an in-depth cove installation.



**NOTE:** Use the fixture as a template by aligning it against the wall, ceiling, and the electrical conduit(s), and mark the necessary holes for installation. Punch out the marked knockout holes. Refer to the hole identification drawing below for proper installation.

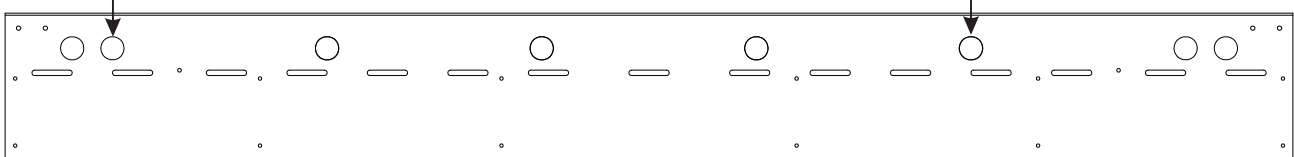
- 2:** Tap the anchors onto the marked locations up to the threaded portion with a hammer.

- 3:** Screw the threaded portion of the anchors in with a Phillips screwdriver.

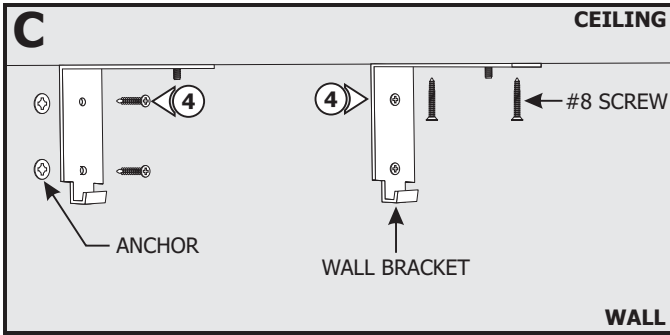
### HOLE IDENTIFICATION

MOUNTING BRACKET KNOCKOUT

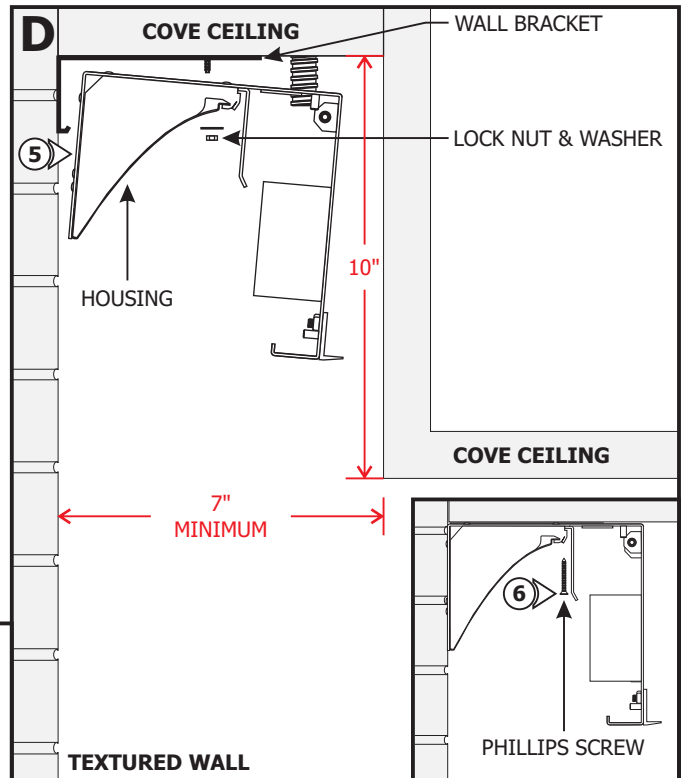
ELECTRICAL KNOCKOUT



TOP VIEW OF HOUSING

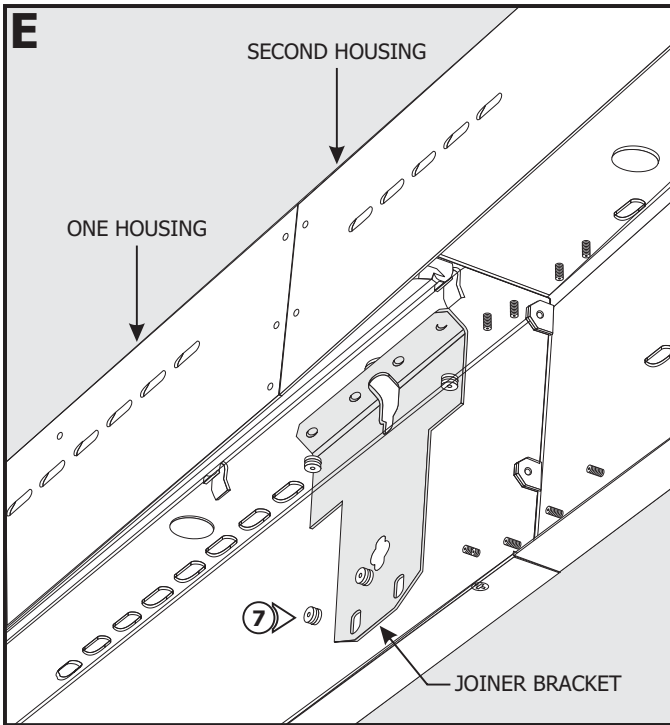


**4:** Mount each wall bracket onto the anchors and secure it with the provided four #8 screws.



**5:** Align the fixture to the wall bracket and secure to the wall bracket with the lock nut and washer.

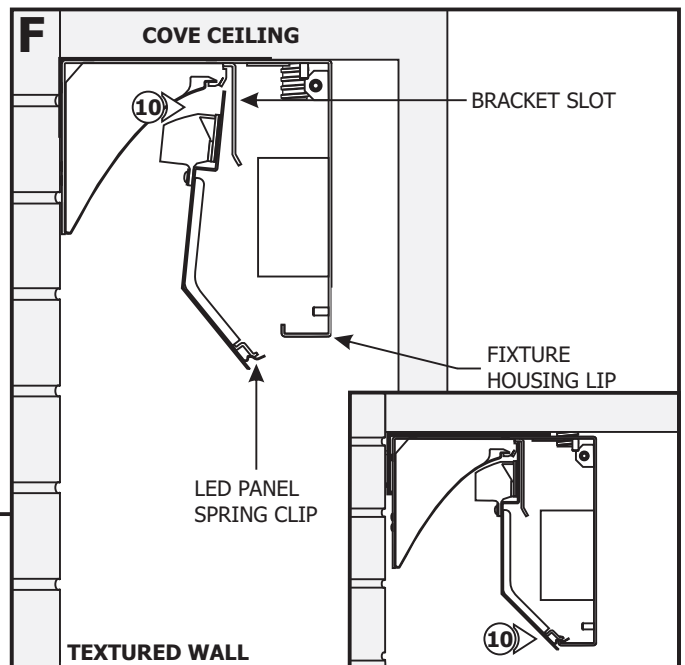
**6: OPTIONAL:** Secure the bracket to the ceiling with the #8 screws provided.



**7:** Use the additional provided joiner bracket, when joining two fixtures together.

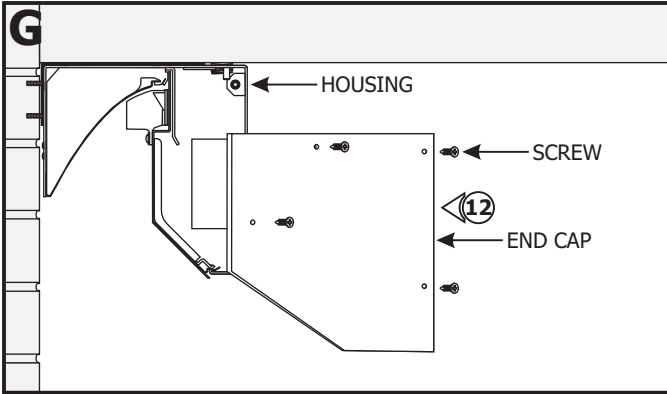
**8:** Follow step 1 through 7 to install the remaining fixtures.

**9:** Make all the proper wire connection following the wiring diagram on page 4.

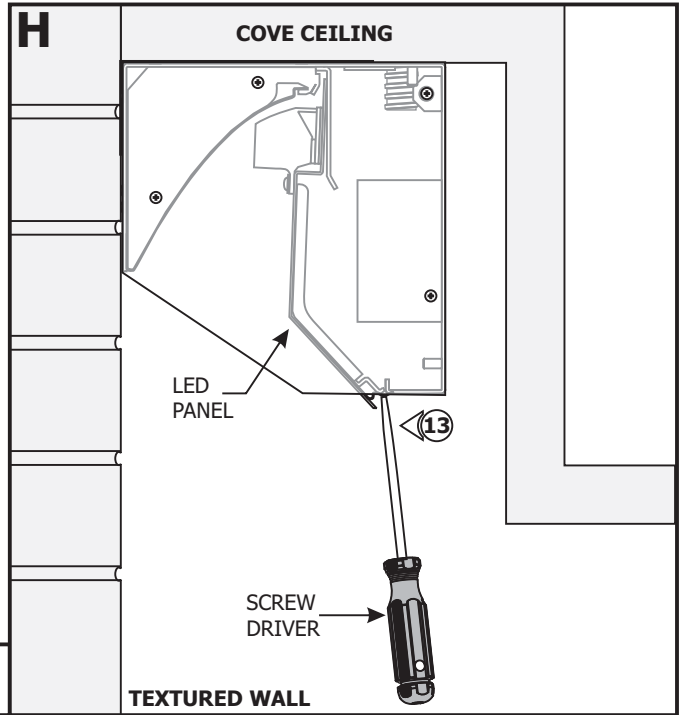


**10:** Insert the top portion of the LED panel into the bracket slot. Slide the bottom portions spring clip onto the fixture housing lip and snap in.

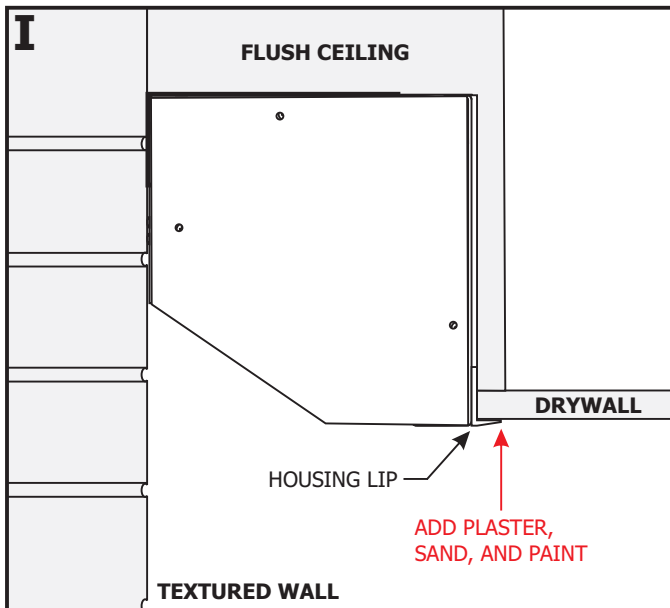
**11:** Follow wiring diagram on page 4 for proper wiring.



**12:** Secure the end caps to the housing with the four screws provided.

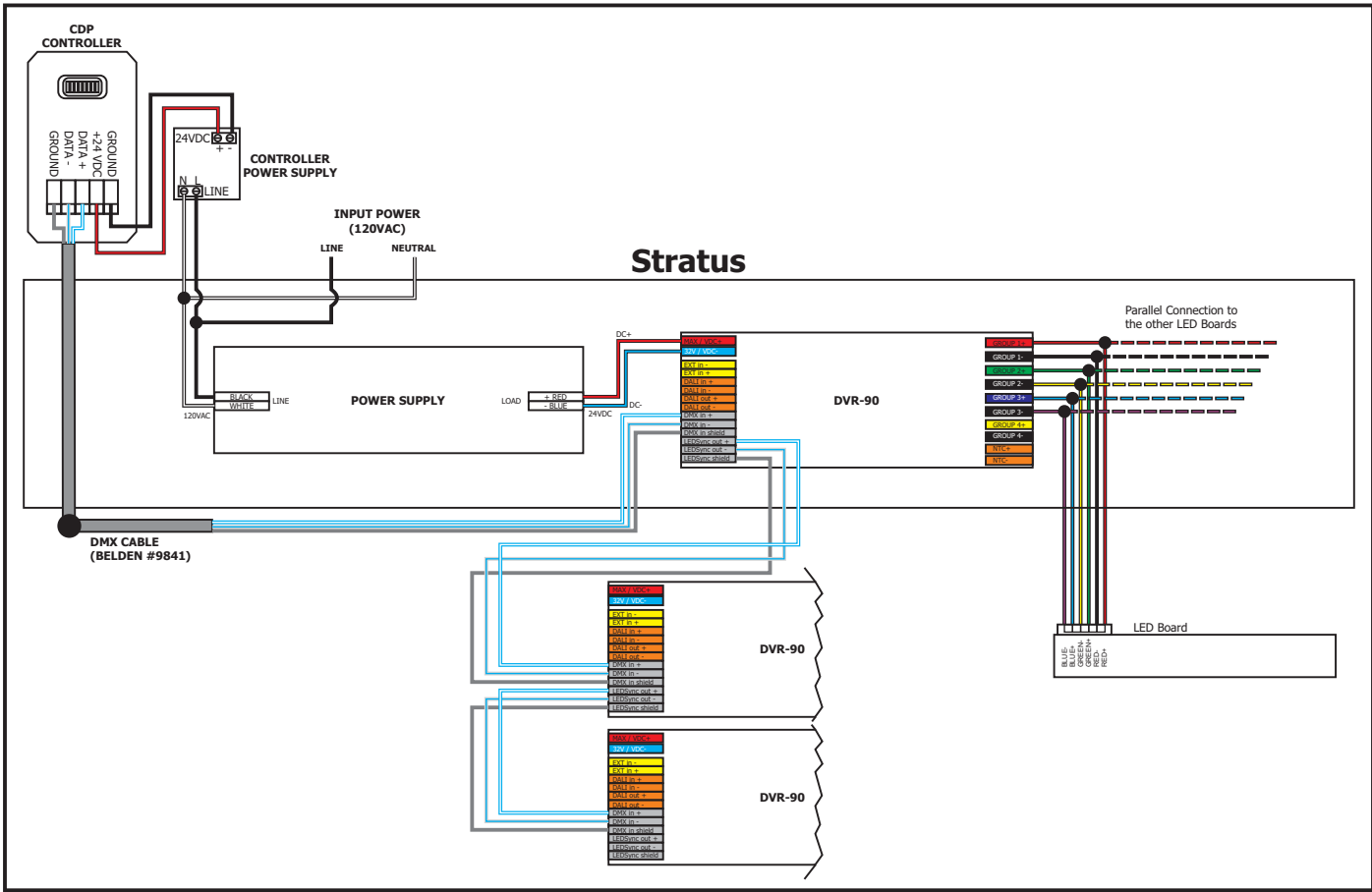


**13:** To access the inside of the fixture, use a flat head screw driver to pull the LED panel out.



**NOTE:** If the fixture was installed against drywall, plaster and then sand the housing lip to complete the installation.

# General Wiring Diagram



# Alternate Wiring Diagram

