



1718 W. Fullerton Chicago, IL 60614
 Ph: 773.770.1195 • Fax: 773.935.5613
 www.PureEdgeLighting.com • info@PureEdgeLighting.com
 © 2016 PureEdge Lighting. All Rights Reserved.

Installation Instructions for Truline 1A Inside Corner and Outside Corner Channel Connector

TL1A_-IC

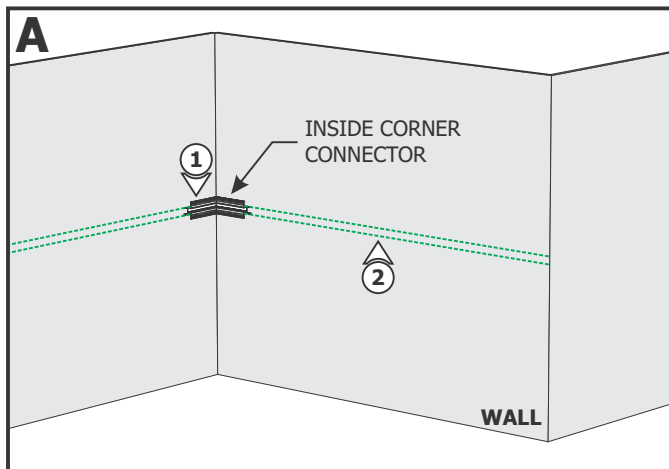
IMPORTANT INFORMATION

- This instruction must be used concurrently with other TruLine 1A BIY installation instructions.
- This product is wall or ceiling mount.
- This instruction shows a typical installation.

SAVE THESE INSTRUCTIONS!

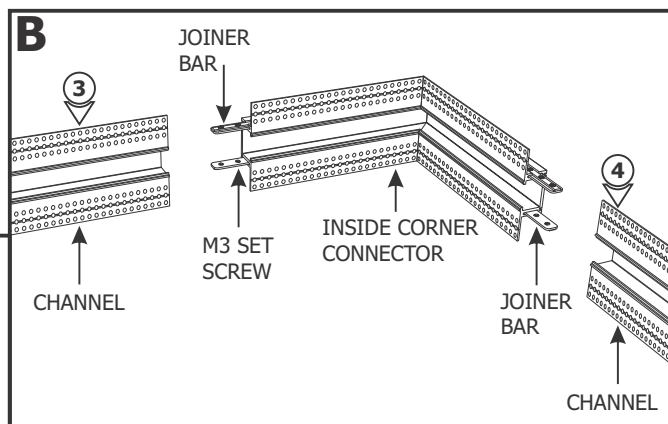


Section One: Install Corner Channel Connector

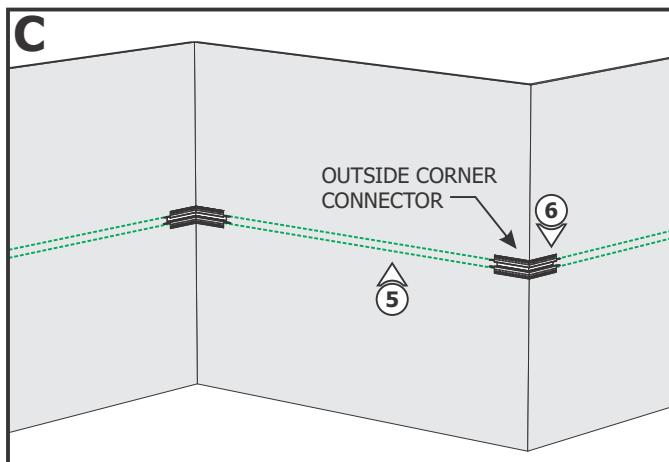


Inside Corner Channel Connector:

- 1:** Place the Inside Corner Connector against a corner. Ensure the connector is aligned with the TruLine Channel installation location.
- 2:** Mark the installation location of the Inside Corner Connector on the drywall using a pencil or chalk line before cutting.

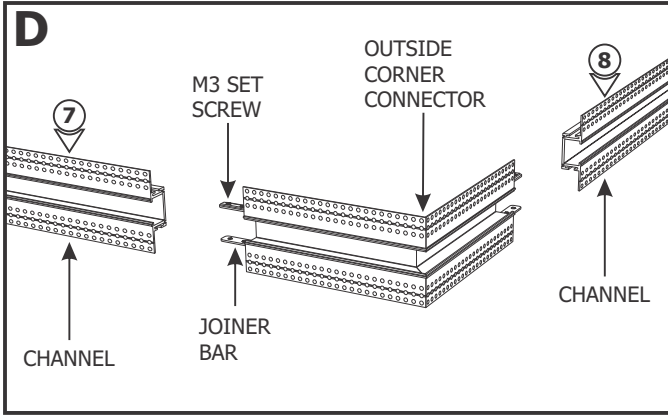


- 3:** Slide the TruLine 1A channel into the joiner bars of the Inside Corner Channel Connector. Tighten the two M3 set screws on each joiner bar with a 1.5mm Allen wrench.
- 4:** Repeat step 3 for the other end of the Inside Corner Channel Connector.



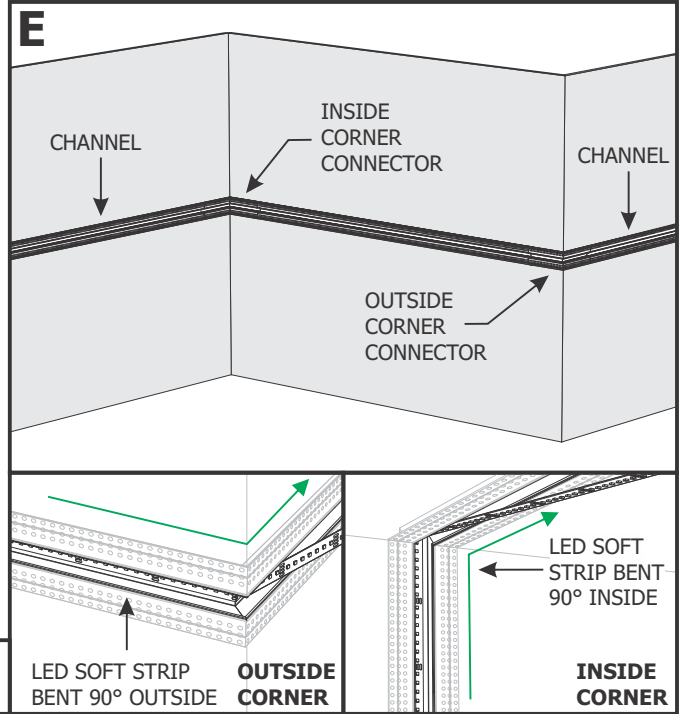
Outside Corner Channel Connector:

- 5:** Place the Outside Corner Connector against a corner. Ensure the connector is aligned with the TruLine Channel installation location.
- 6:** Mark the installation location of the Outside Corner Connector on the drywall using a pencil or chalk line before cutting.



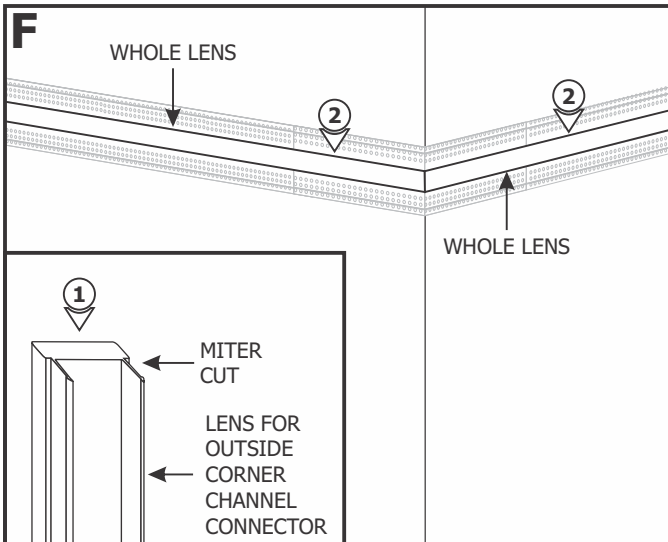
7: Slide the TruLine 1A channel into the joiner bars of the Outside Corner Channel Connector. Tighten the two M3 set screws on each joiner bar with a 1.5mm Allen wrench.

8: Repeat step 7 for the other end of the Outside Corner Channel Connector.



9: Follow steps described in the TruLine 1A Channel and Lens installation instructions to continue the installation.

Section Two: Lenses



1: To avoid seams and light leaks, use the precut lenses that were provided with the Corner Channel Connector as a guide to miter cut the whole lenses.

2: Use the whole lenses to cover the Inside or Outside Corner Channel Connector along with the rest of the installed channels.

3: Discard the precut lenses.