



1718 W. Fullerton Chicago, IL 60614  
 Ph: 773.770.1195 • Fax: 773.935.5613  
 www.PureEdgeLighting.com • info@PureEdgeLighting.com  
 © 2016 PureEdge Lighting. All Rights Reserved.

## Installation Instructions for TruLine .5A Channel and Lens



TL.5\_-CHLN\_-

### IMPORTANT INFORMATION

- This instruction must be used concurrently with other TruLine .5A BIY installation instructions.
- This product is wall or ceiling mount.
- This instruction shows a typical installation.

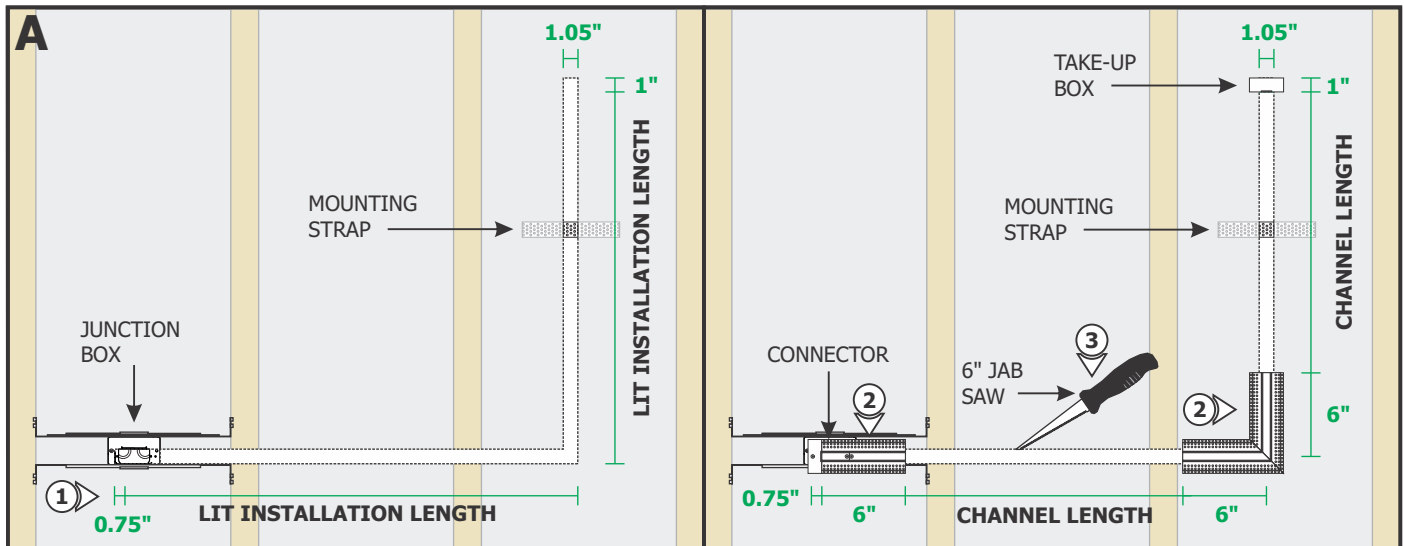
**SAVE THESE INSTRUCTIONS!**

### INSTALLATION VIDEO



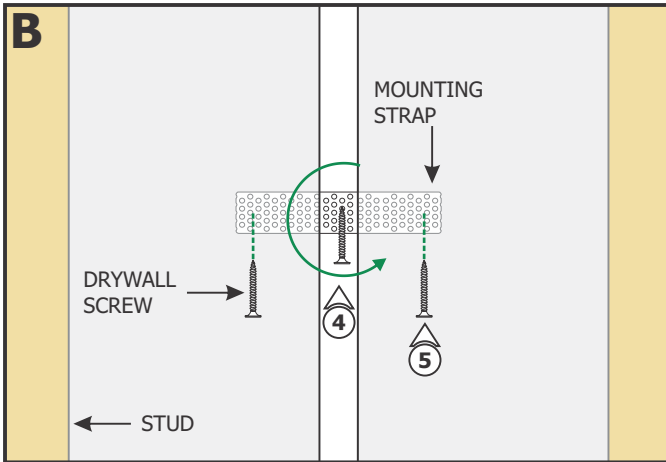
Scan with your mobile device to watch a typical installation video or visit [https://www.pureedgelighting.com/pure-videos/truline\\_5a\\_picture\\_frame/index.php](https://www.pureedgelighting.com/pure-videos/truline_5a_picture_frame/index.php)

## Section One: Prepare and Cut the Channel



**NOTE:** Refer to the instructions provided with the TL.5A Power Feed Channel Connectors or the TL.5A Plenum Power Feed Channel Connectors to install the junction box.

- 1:** Mark the area where the installation will be located on the drywall using the junction box opening as a guide (MIN 1.05"). Allow for 0.75" extra space at junction box for power end caps (if any) and 1" at the end of the installation for the Take-Up Box.
- 2:** Place the desired BIY Channel Connectors against the wall. Ensure the connector is aligned with the installation location. Mark the location of each BIY Channel Connector to determine the cut length of the channel and lens.
- 3:** Cut out the marked area using a "Dremel Multi-Max" or a 6" Fixed Jab Saw. Mark the location of the studs on the drywall.

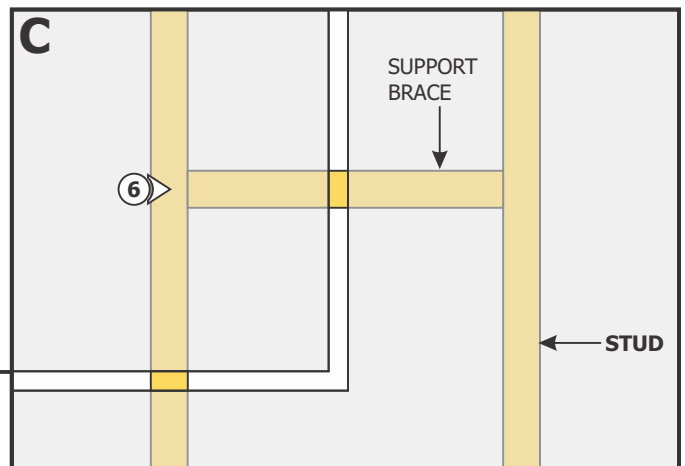


**NOTE:** To install the channel in a wall without standard-spaced studs, install perforated mounting straps every 32" behind drywall.

**NOTE:** For areas with lots of vibrations, it is suggest to install 2X4 support braces (suggested spacing is every 32") before installing and finishing drywall to avoid cracking of plaster. Refer to step 6.

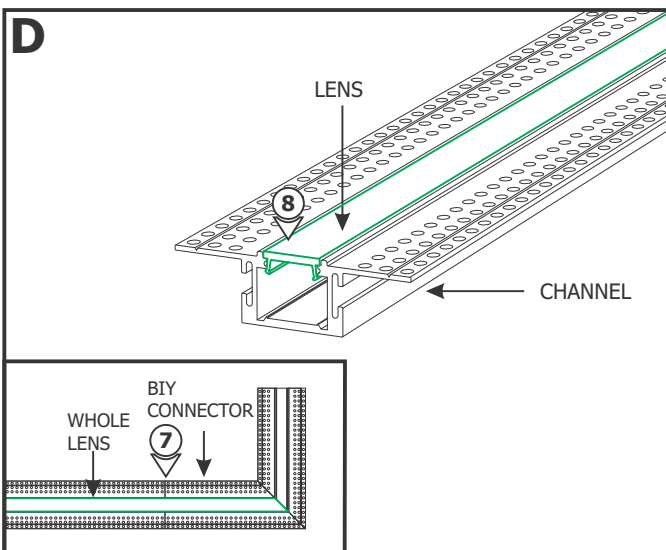
**4:** Thread a drywall screw into the perforated material. Place the mounting strap behind the drywall and rotate into place using the drywall screw.

**5:** Secure the mounting strap to the drywall using two drywall screws. Mark the location on of the mounting strap on the drywall.



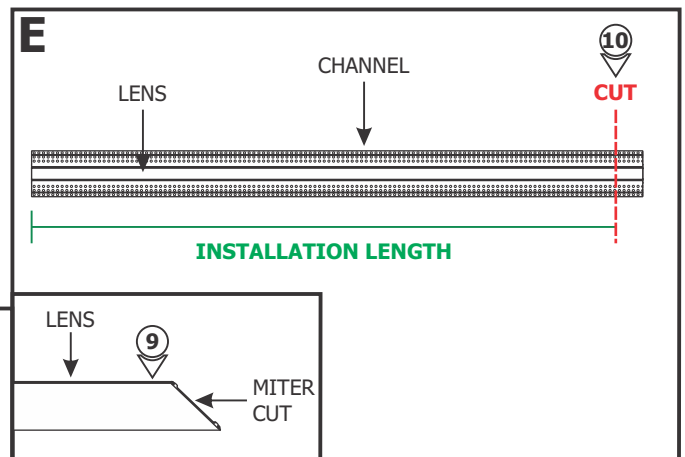
**ALTERNATE INSTALLATION OPTION:**

**6:** Install 2x4 support braces (suggested spacing is every 32") before installing and finishing drywall.



**7:** If necessary, consider attaching the BIY connectors to the channel before cutting to length.

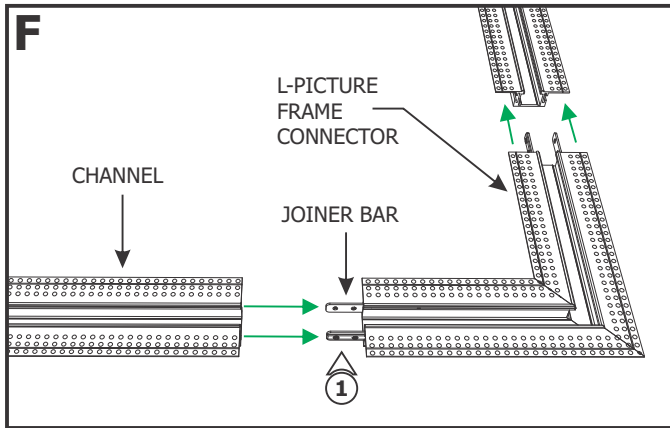
**8:** Snap the whole lens into the channel, and BIY connectors, **BEFORE** cutting to length. This ensures a proper fit after installation.



**9:** Depending on the design, use the precut lenses provided with the BIY Connectors as a guide to miter cut the lenses. Discard precut lenses.

**10:** Cut the channel and lens to match the installation length.

## Section Two: Install Channels and Connectors



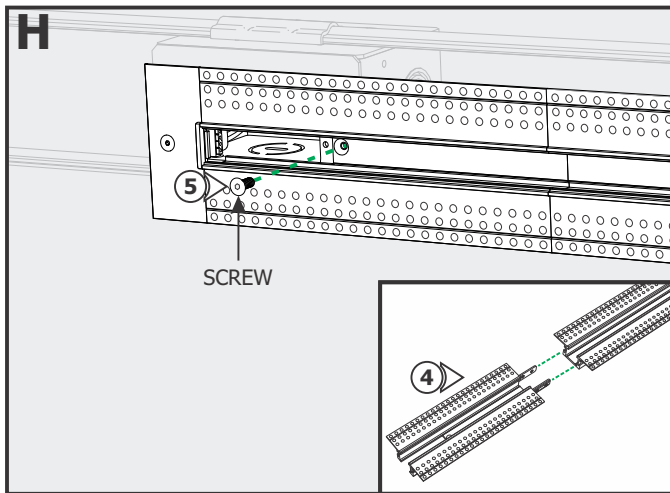
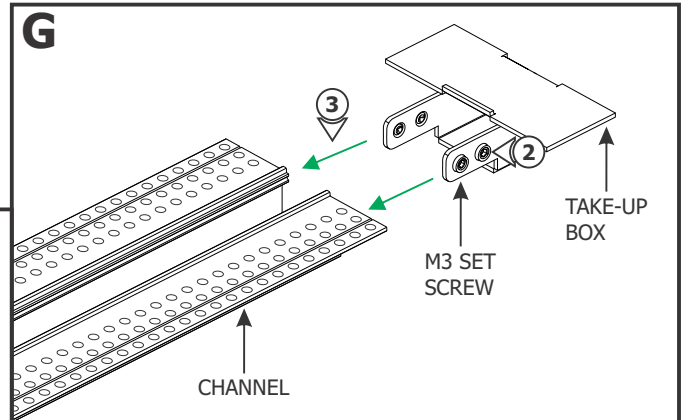
**NOTE:** TL.5A L-Picture Frame connector is shown for demonstration purposes.

**NOTE:** If using the TL.5A Power Feed Channel Connectors with Chicago Plenum Rated Junction Box, fill the connecting seams with plenum rated sealants.

**1:** Install channel connector(s) to the channels. Refer to the instructions provided with the desired BIY connectors.

**2:** Loosen (Do Not Remove) the four M3 set screws on the Take-Up Box using a 1.5mm Allen wrench.

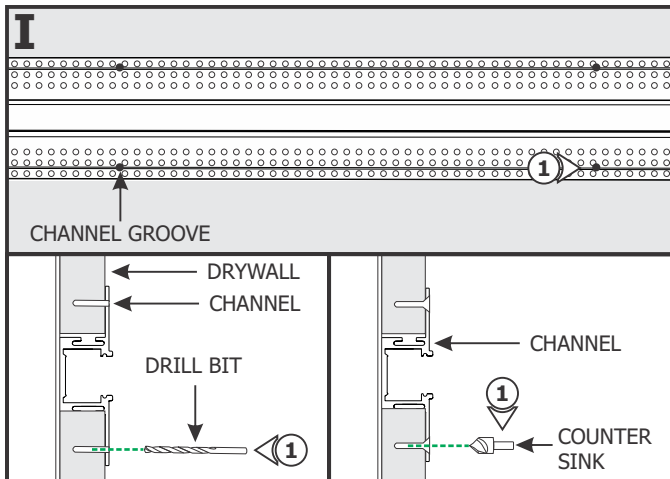
**3:** Install the Take-Up Box at the end of an installation run. Slide the Take-Up Box into the channel and tighten the four M3 set screws using a 1.5mm Allen wrench to secure in place.



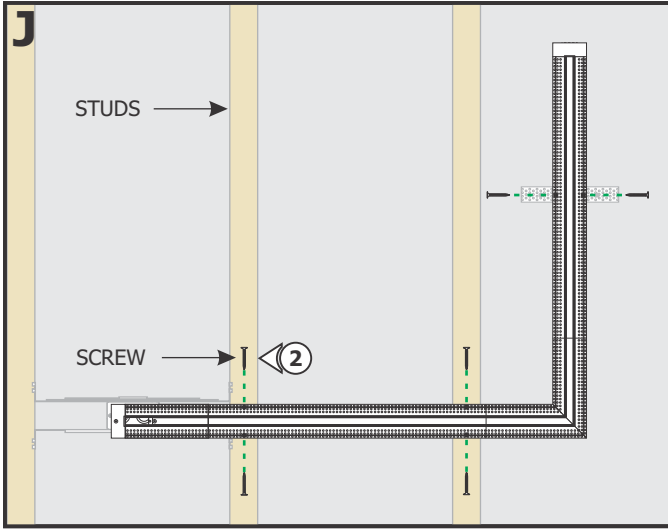
**4:** Refer to the instructions provided with the BIY Power Feed Connectors to connect the channels.

**5:** Secure the assembled BIY Power Feed Connectors to the junction box with the provided screw.

## Section Three: Tape and Plaster



**1:** Using the marked locations on the drywall, drill and countersink the channel using the provided square drill with countersink bit.



**2:** Secure the channel to the studs and mounting straps through the drywall with the #6 screws using the provided square recess bit.

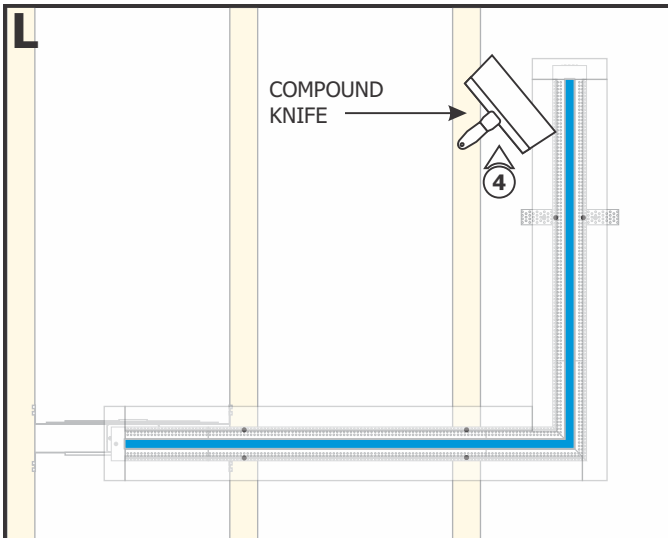
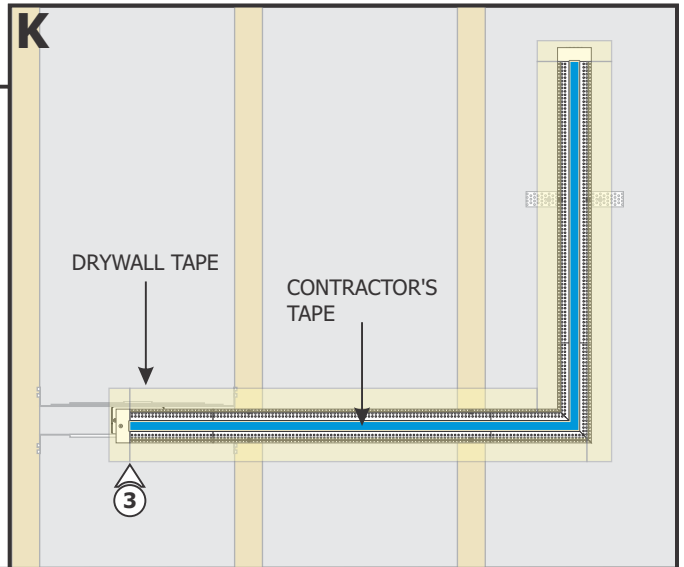
**NOTE:** Cover the channel opening with blue contractor's tape before plastering.

**NOTE:** For areas with lots of vibration, it is suggested to use Durabond to avoid cracking of plaster.

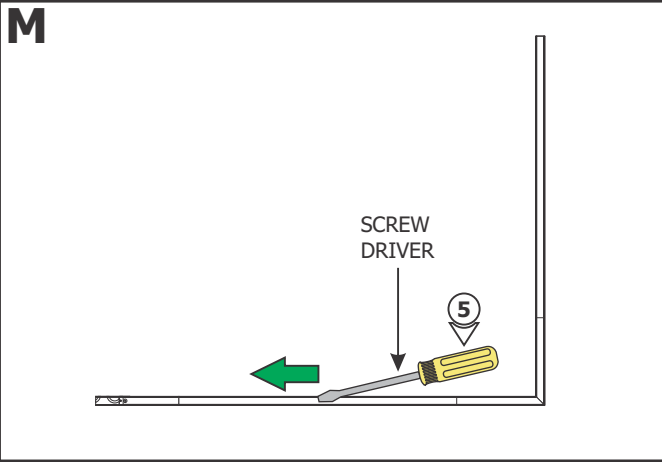
**NOTE:** **Do Not** use premixed joint compound "Soft Mud." No use compuesto para juntas premezclado "Soft Mud."

**NOTE:** Recommended plaster method: 1st Coat - Durabond 45 with 8" Blade, 2nd Coat - Easy Sand 45 with 10" Blade, 3rd Coat - with 12" Blade

**3:** Must apply drywall tape (Ultra-Thin drywall tape suggested) along edges of channel up to the groove to prevent cracking of plaster after installation. **DO NOT** overlap strips of drywall tape.

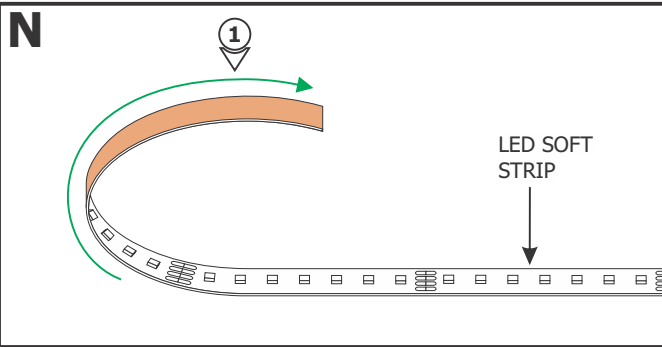


**4:** Use a compound knife for a smooth compound spread. Sand, paint, and finish the plaster and drywall before removing the blue contractor's tape.



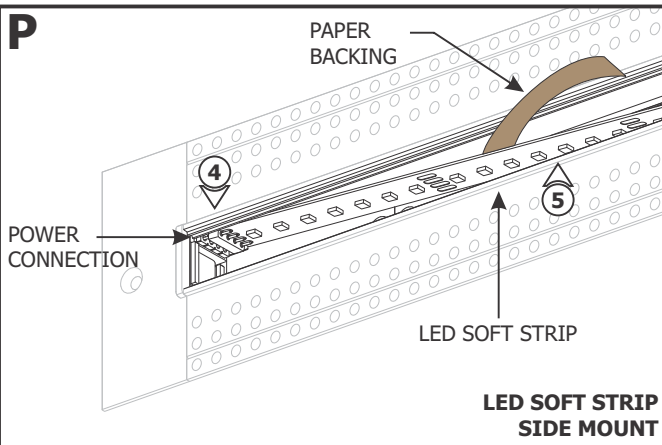
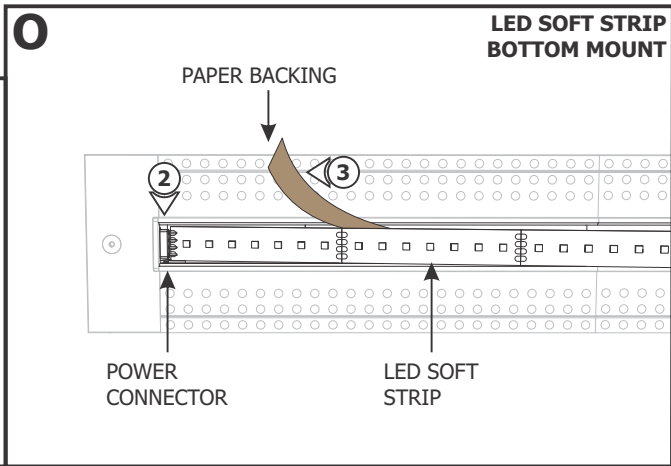
- 5:** Carefully use a flathead screwdriver to remove excess drywall from the internal bevel/edge.
- 6:** Remove the blue contractor's tape from the inside of the channel. Clean the channel surface with alcohol to remove any dust or debris before continuing.

## Section Four: Install LED Soft Strip

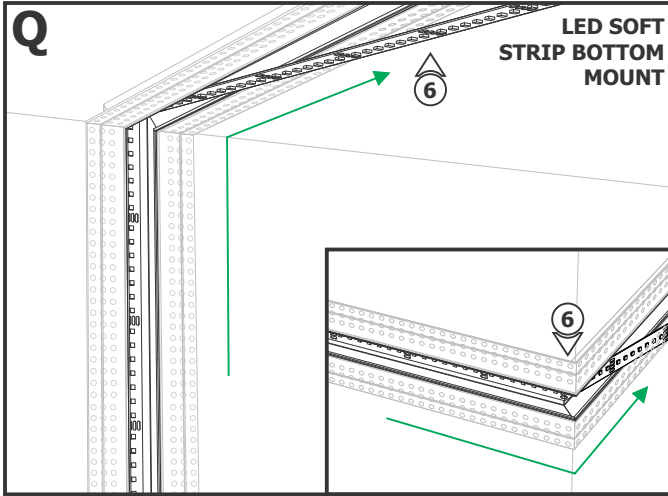


- NOTE:** If installation requires RGB, RGB+W, or Tunable White, refer to wiring diagrams on pages 8-10.
- 1:** Gently uncoil the LED Soft Strip before applying to the channel otherwise the strip may lift off of the surface.

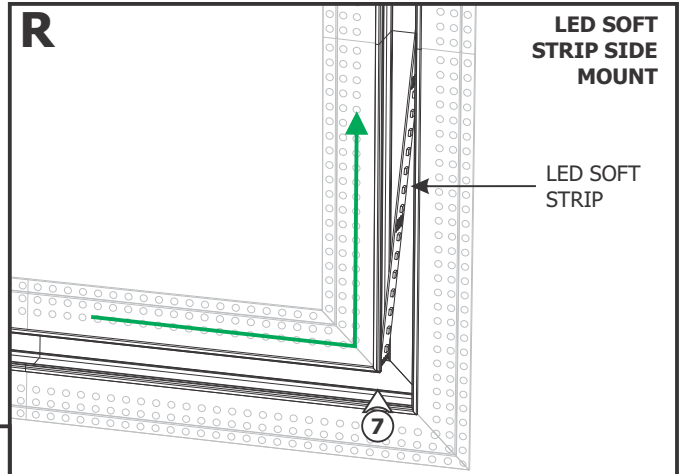
- Power Feed Installation: Bottom Mount**
- 2:** Connect the LED Soft Strip to the power connector. Refer to instructions provided with the BIY Power Connectors to connect the LED Soft Strip to the power connector(s).
  - 3:** Carefully remove the backing from the LED Soft Strip, making sure not to remove the tape. Firmly press down the adhesive portion of the LED Soft Strip onto the channel surface while removing the rest of the backing, making sure there are no air bubbles that can cause surface irregularities.
- NOTE:** Refer to page 7 for important information regarding installation and rework of the LED Soft Strip.



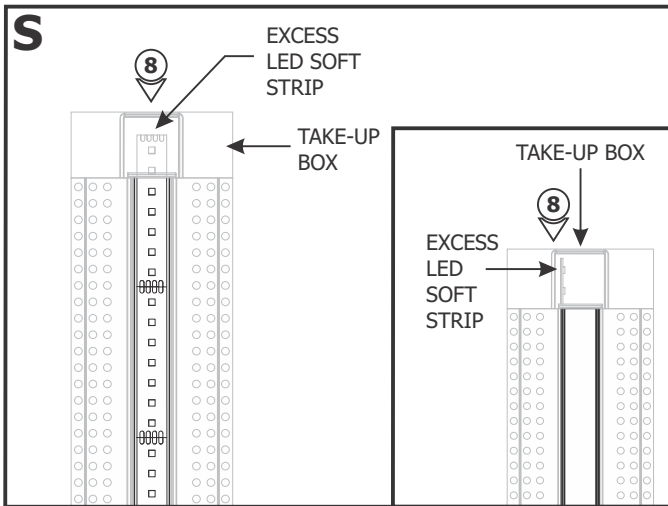
- Alternate Power Feed Installation: Side Mount**
- 4:** Connect the LED Soft Strip to the power connector.
  - 5:** Repeat step 3 to properly install the LED Soft Strip on the side of the channel.



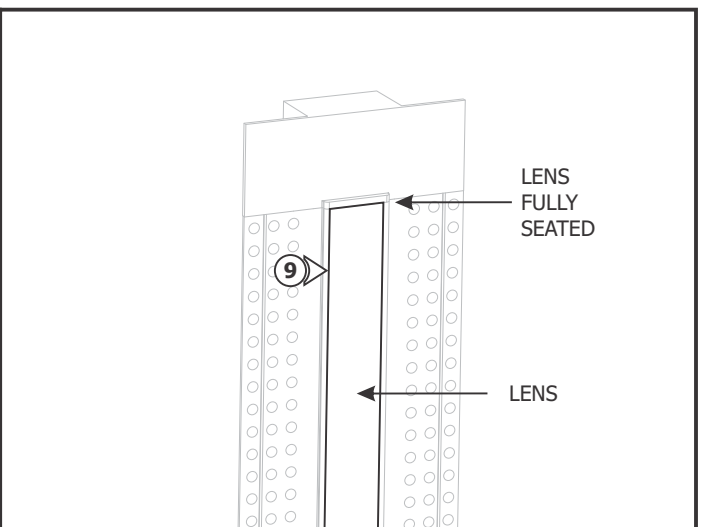
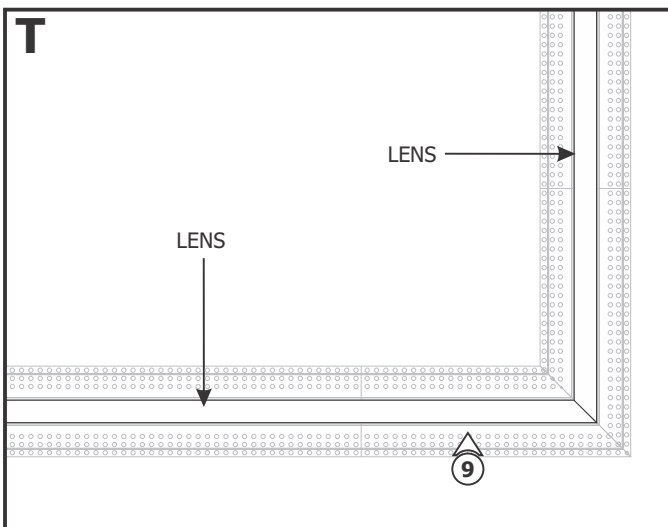
**6:** For Room Wrapping configurations, bend the LED Soft Strip 90° on the **bottom** of the channel to match the corners.



**7:** For Picture Frame configurations, bend the LED Soft Strip 90° on the **side** of the channel to match the installation corner.

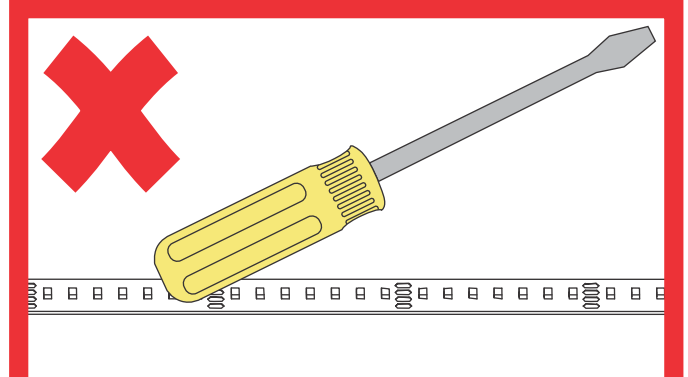
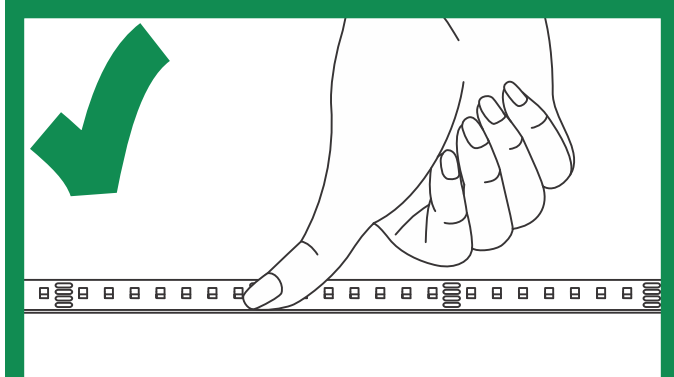
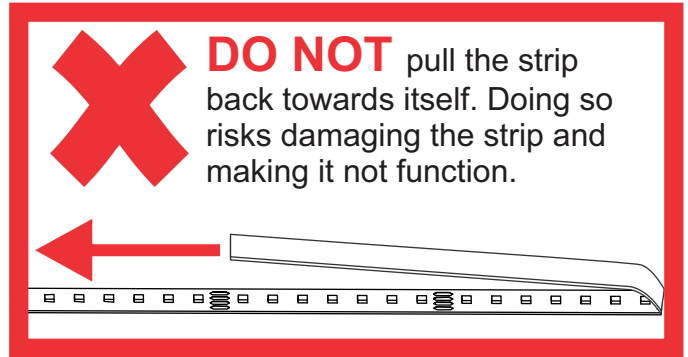
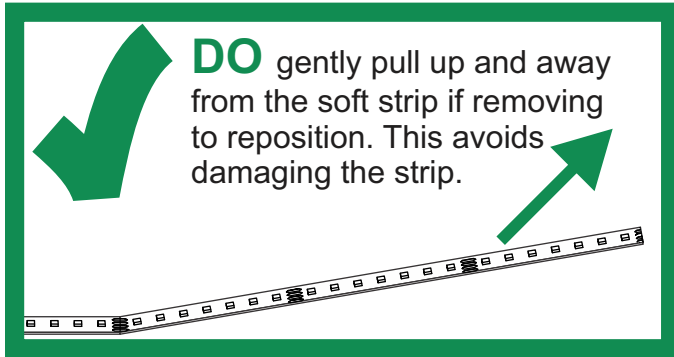


**8:** If required, trim the LED Soft Strip on the dashed cuttable section and place the excess LED Soft Strip inside the Take-Up Box. Ensure the entire length of the channel is covered with LED Soft Strips to avoid unlit areas.

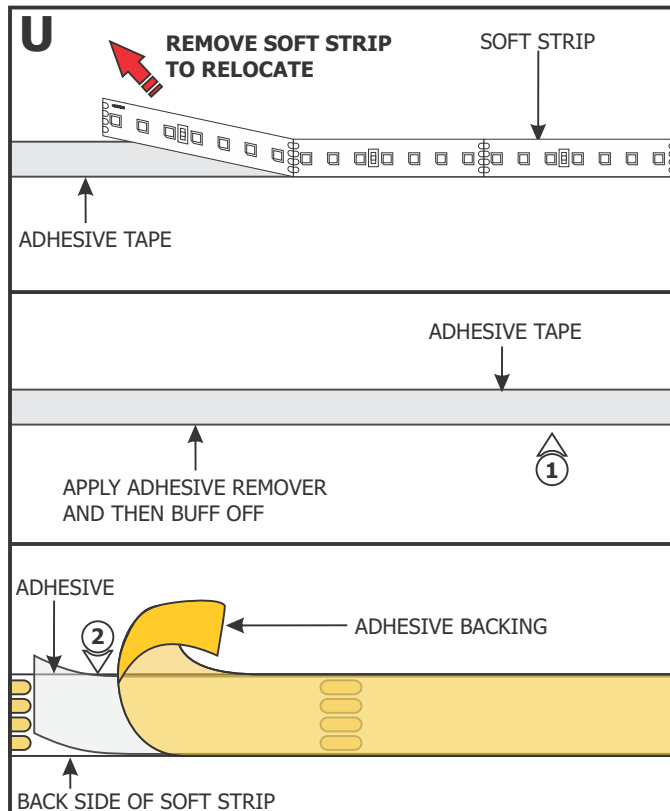


**9:** To avoid seams and light leaks, use the whole lens to cover the power connectors and the rest of the installed channels. Snap the lens onto the channel and connectors. Ensure the lenses are fully seated.

## IMPORTANT INFORMATION REGARDING INSTALLATION AND REWORK OF SOFT STRIP LED



### Section Five: Relocating Soft Strip (Optional)

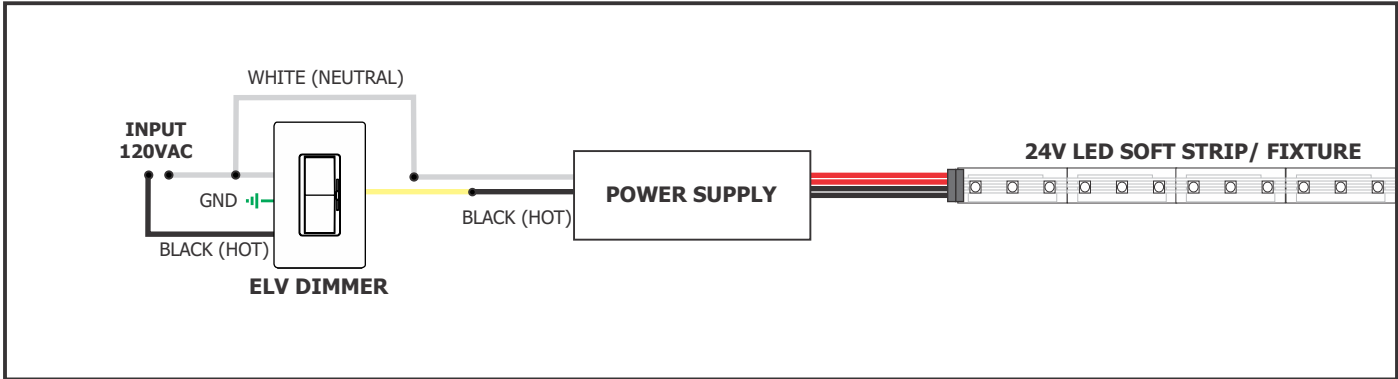


**NOTE:** If relocating the installed soft strip, make sure that the adhesive tape on back of the soft strip covers the entire strip. The adhesive tape isolates the strip from the installation surface. Damaged or inconsistent adhesive tape may cause the contacts on the back of the strip to come in contact with the conductive heat sink which will cause the strip to short and burn. Call Edge Lighting to get replacement adhesive tape and/or optional aluminum heat sink tape (SS-HR-F).

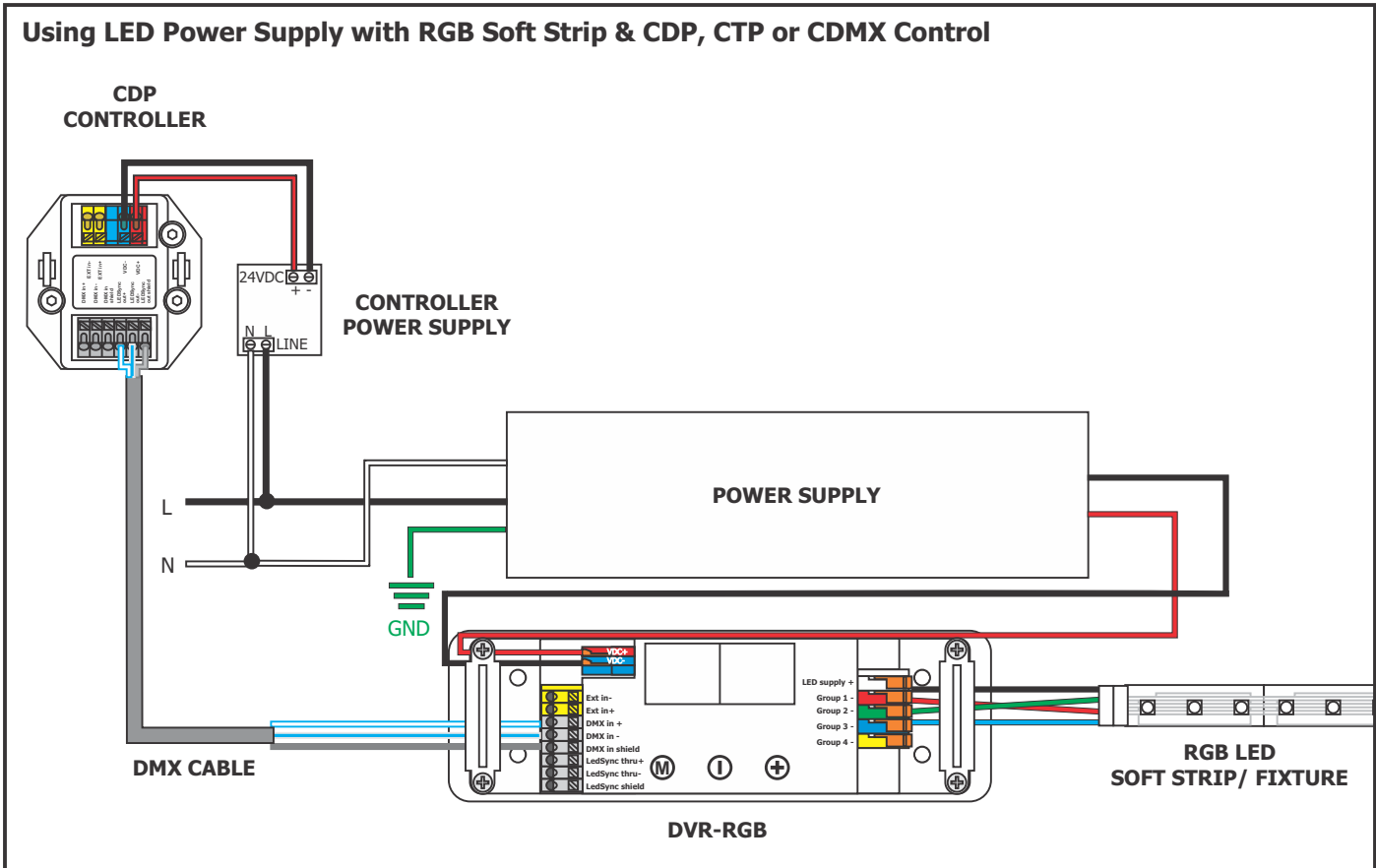
- 1:** To remove tape residue from back of the strip, apply WD-40, Goo Gone, or a mixture of warm water and lemon oil to the corner of a clean, dry towel. Gently buff the area containing the adhesive residue until it is completely removed.
- 2:** Gently remove a few inches from one side of the tape backing. Attach the adhesive tape to the back of the soft strip and apply moderate pressure to affix the tape. Continue this step a few inches at the time until the entire adhesive tape is attached to back of the soft strip.
- 3:** Refer to Section Four to reinstall the LED soft strip.

# General Wiring Diagrams

## 24VDC Configuration

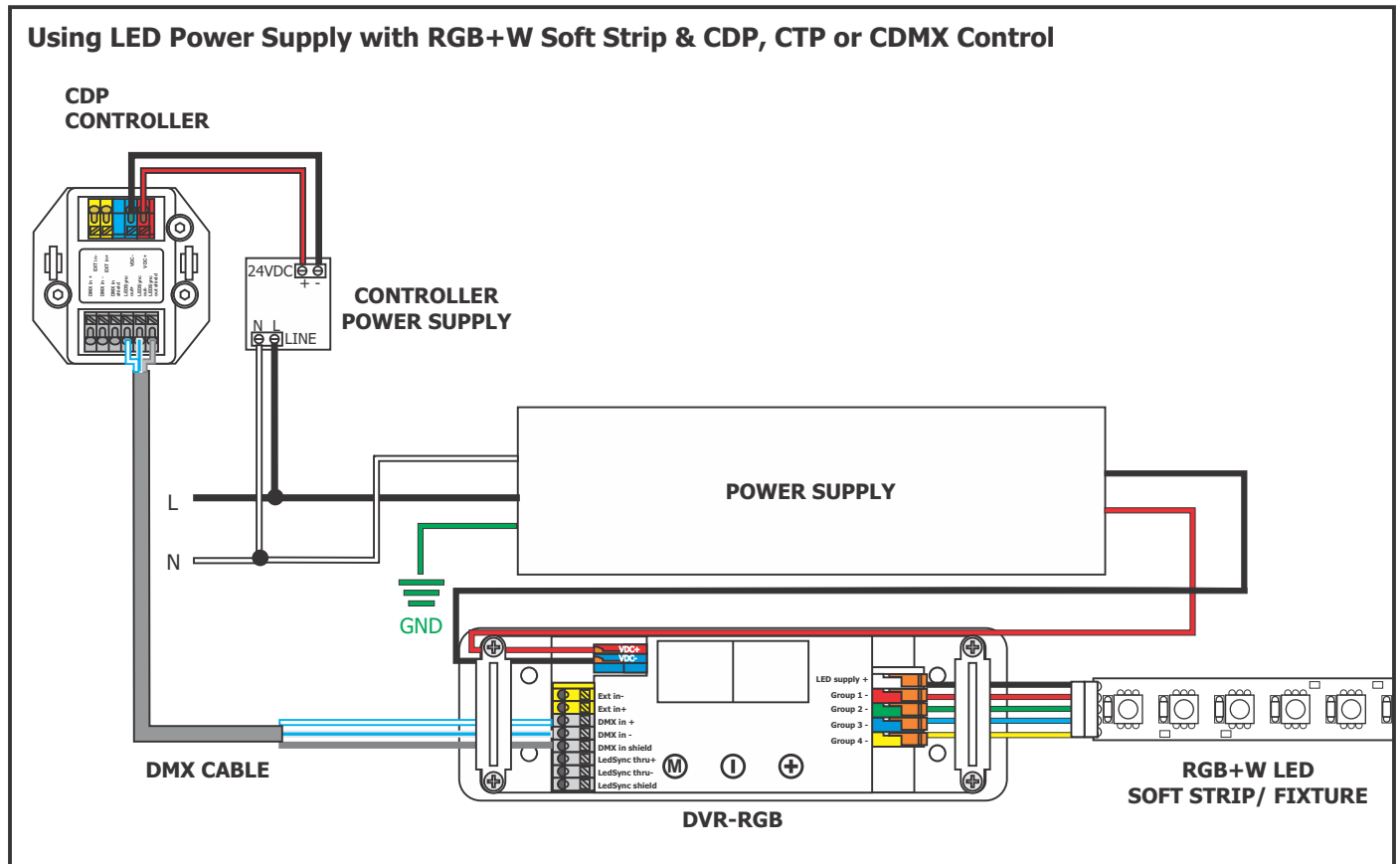


## Standard RGB Configuration

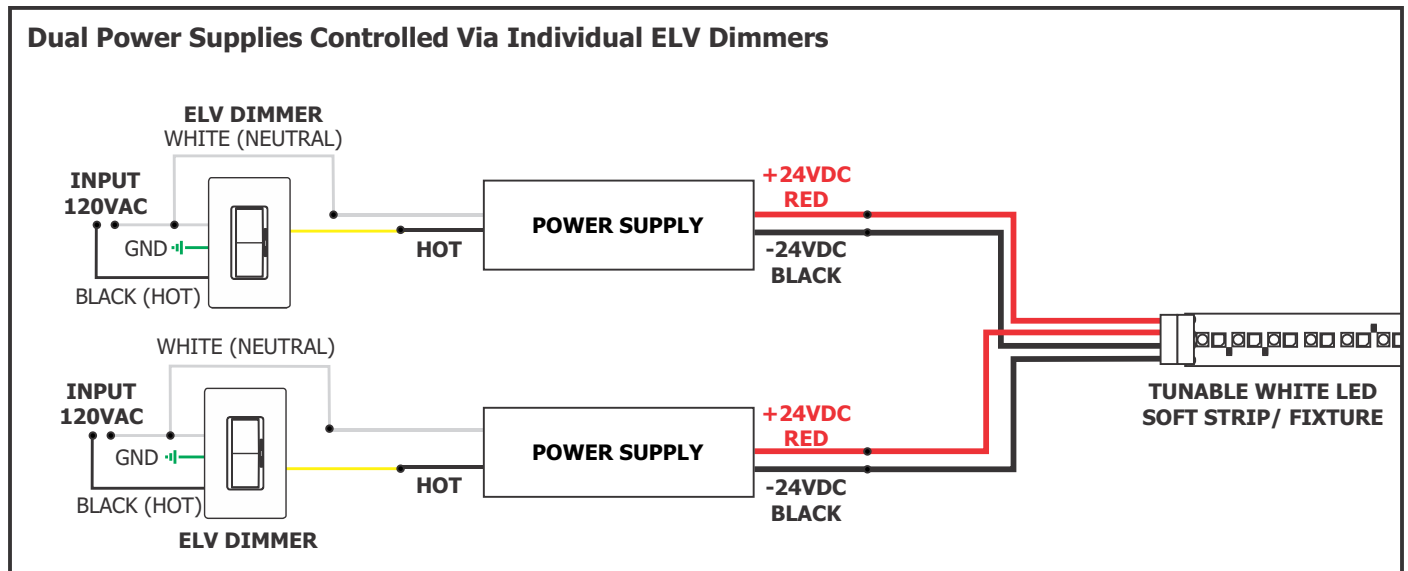




## RGB+W Configuration



## Tunable White Configuration



# Tunable White Configuration

