



1718 W. Fullerton Chicago, IL 60614
 Ph: 773.770.1195 • Fax: 773.935.5613
 www.PureEdgeLighting.com • info@PureEdgeLighting.com
 © 2016 PureEdge Lighting. All Rights Reserved.

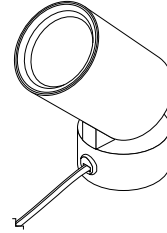
Installation Instructions for **Big Shorty**

BSF-MR16-12V-__

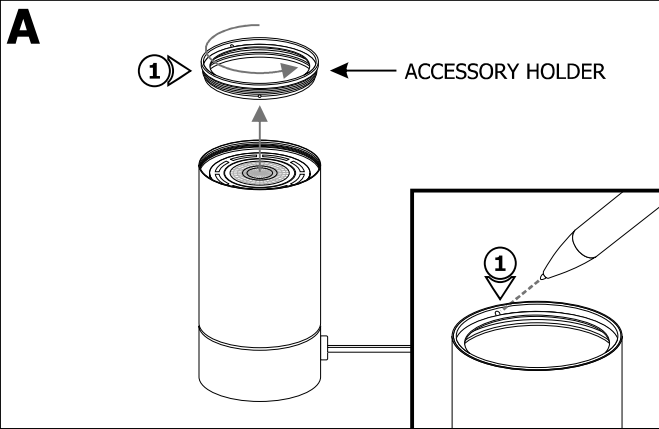
IMPORTANT INFORMATION

- This product is ETL listed.
- This instruction shows a typical installation.
- This product is suitable for dry locations.
- This product is dimmable with an ELV dimmer connected to the outlet.

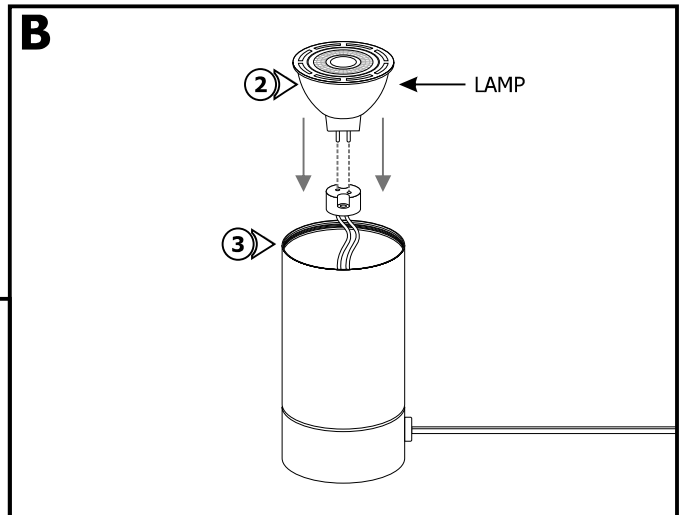
SAVE THESE INSTRUCTIONS!



Install the Fixture



1: Insert a pin such as a pen into the lamp cover and rotate counter-clockwise to remove the accessory holder.

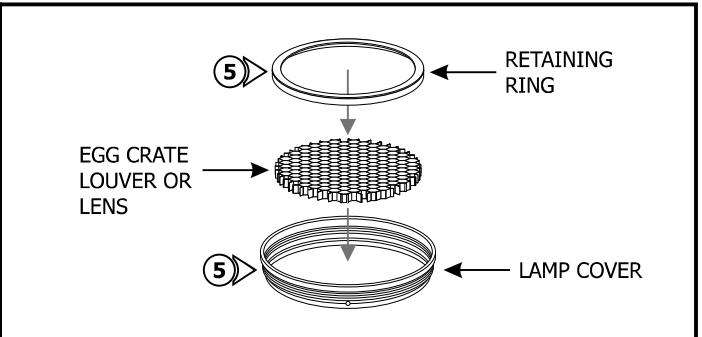
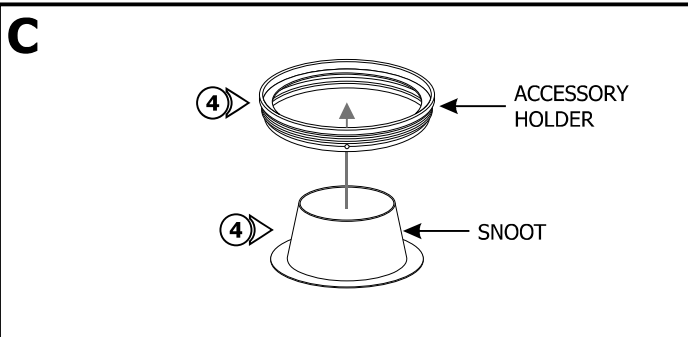


NOTE: Use **MAX 9** Watt Type MR16 LED lamp.



2: Align and completely install the LED MR16 lamp pins into the socket holes.

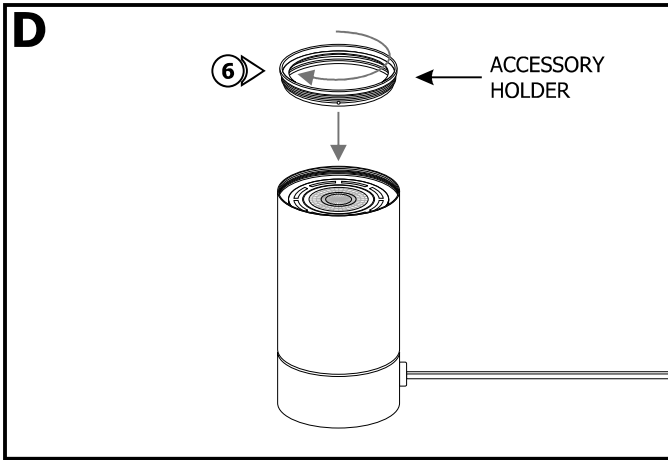
3: Place the lamp properly inside the fixture.



NOTE: Omit steps 4 and 5 if not using an accessory.

4: To install the Snoot or Half Snoot, simply place the snoot behind the accessory holder.

5: Unsnap the retaining ring to install an Egg Crate Louver or a lens inside the lamp cover. Snap back the retaining ring to hold the accessory in place.



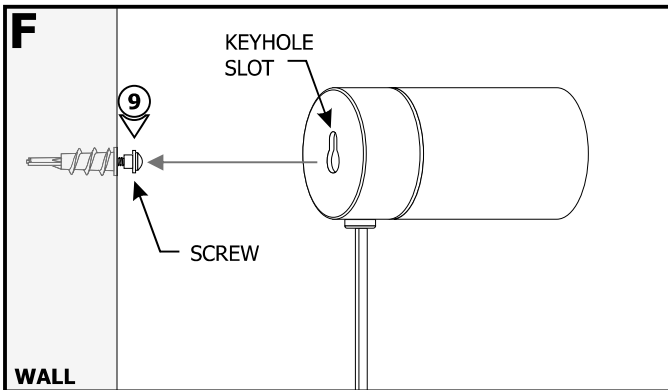
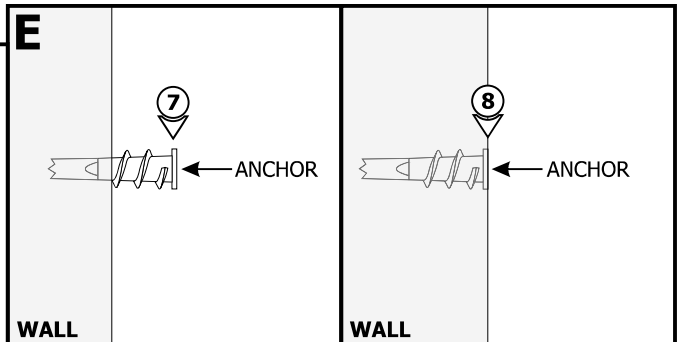
6: Screw the accessory holder back clockwise to secure in place.

NOTE: This product mounts only to a wall or floor (without the anchor). Steps 7 through 9 are for wall mount only.

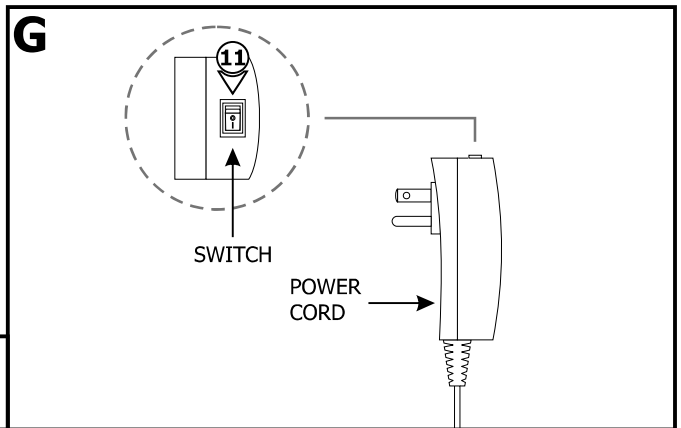
NOTE: Steps 7 and 8 are for drywall mounting. Omit these steps if mounting to a wood surface directly.

7: Tap the anchor up to the threaded portion with a hammer.

8: Screw in the threaded portion of the anchor with a Phillips screwdriver.

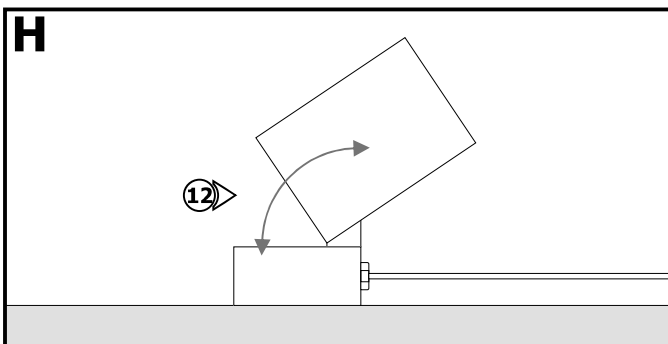


9: Tighten the screw into the anchor leaving about 1/16" gap between them. Align and place the keyhole slot on the back of the fixture with the screw head and slide it down to lock the fixture in place.



10: Plug in the power cord into an outlet.

11: Turn on the switch.



12: Adjust the angle of the fixture by rotating the body.