



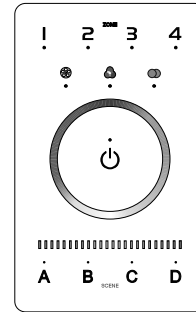
1718 W. Fullerton Chicago, IL 60614
 Ph: 773.770.1195 • Fax: 773.935.5613
 www.PureEdgeLighting.com • info@PureEdgeLighting.com
 © 2016 PureEdge Lighting. All Rights Reserved.

Installation Instructions for RGBTW DMX Touch Controller

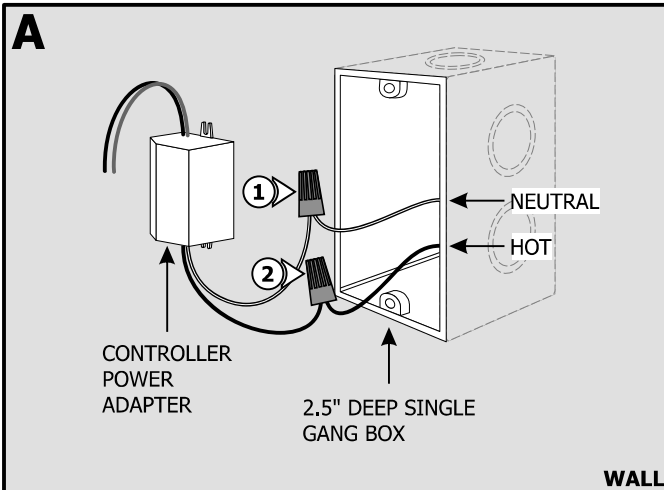
IMPORTANT INFORMATION

- This instruction shows a typical installation.
- This product mounts to a deep single gang box.
- This product must be installed by a qualified electrician.
- Ensure that the cables are secured tightly in the connector.
- Check if the output voltage of any LED power supplies used comply with the working voltage of the product.

SAVE THESE INSTRUCTIONS!

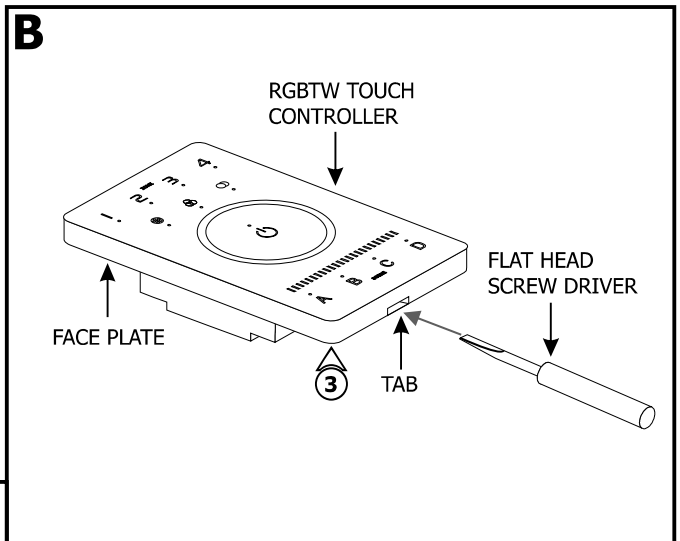


Install the Controller

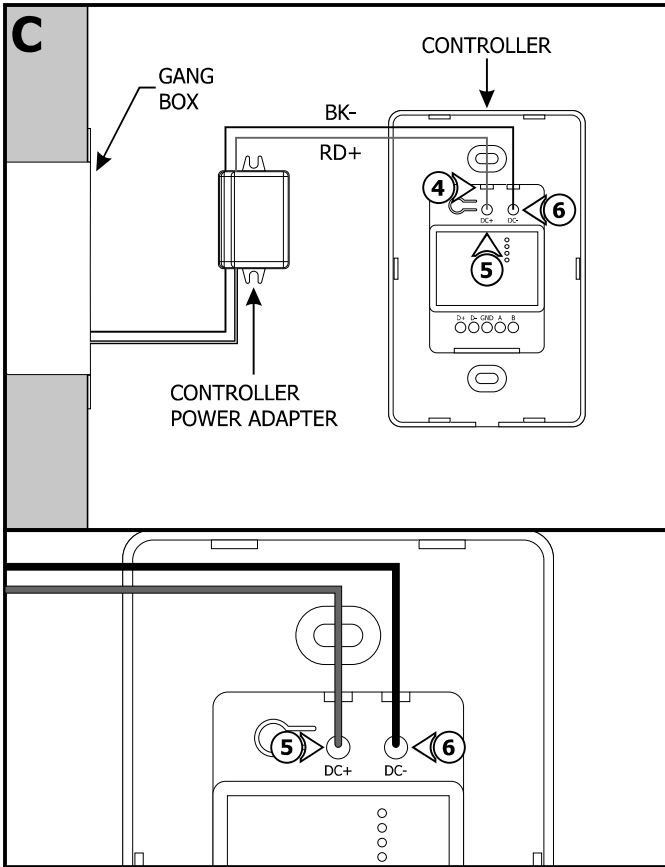


NOTE: Before beginning any electrical work, ensure that power to the electrical box is turned off.

- 1:** Connect the black (L) and white (N) wires of the controller power adapter to the hot and neutral power wires using wire nuts respectively.
- 2:** Place the controller power adapter inside the deep single gang box.



- 3:** Pry the face plate of the RGBW Touch Controller using a flat head screw driver.



NOTE: Use a deep single gang box to fit the controller and controller power adapter.

4: Loosen the screws under the "DC+" and "DC-" terminals of the controller using a Phillips or flat head screw driver.

5: Insert the red wire of the controller power adapter into the "DC+" terminal and tighten the screw.

6: Insert the black wire of the controller power adapter into the "DC-" terminal and tighten the screw.

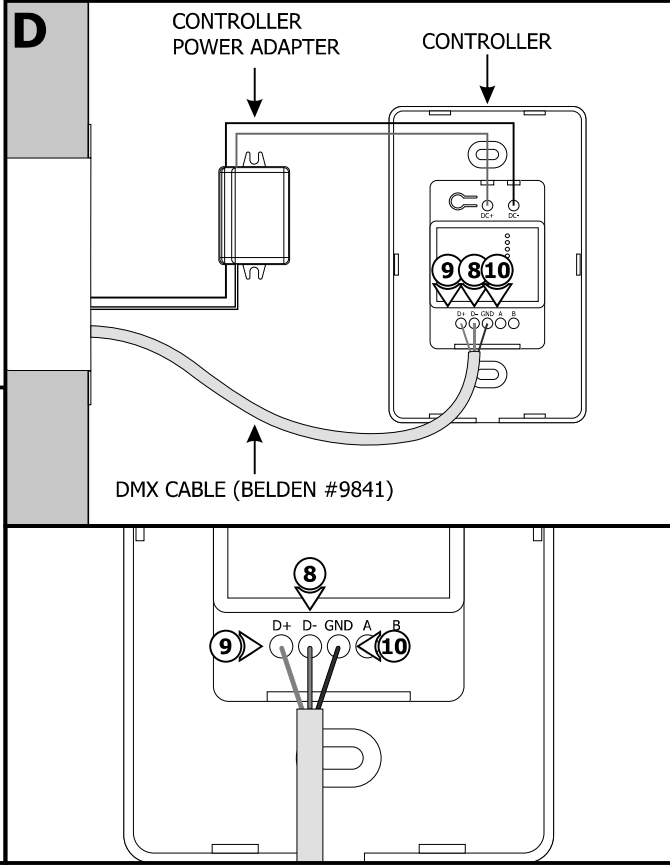
7: Loosen the screws under the "D+," "D-" and "GND" terminals of the controller using a Phillips or flat head screw driver.

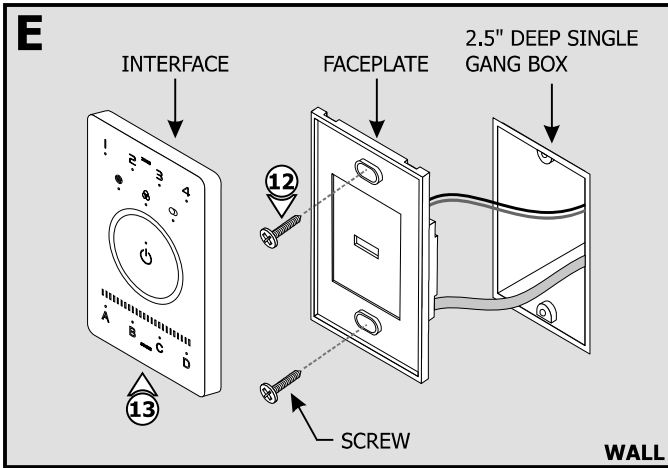
8: Insert one data wire (blue with white stripes wire) into the "D-" terminal and tighten the screw.

9: Insert the second data wire (white with blue stripes wire) into the "D+" terminal and tighten the screw.

10: Insert the third data wire (bare shield wire) into the "GND" terminal and tighten the screw.

11: Refer to the instructions with the DMX power supply to connect the DMX wires completing the installation. See wiring diagram on page 5.

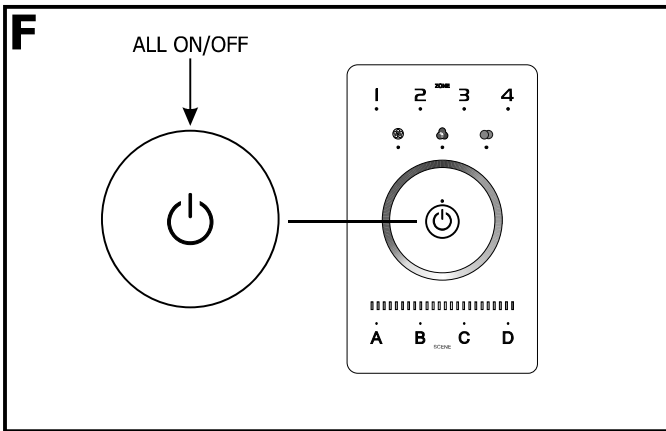




12: Align the face plate with the deep single gang box and secure using the supplied screws.

13: Align the interface with the face plate and press to secure into place.

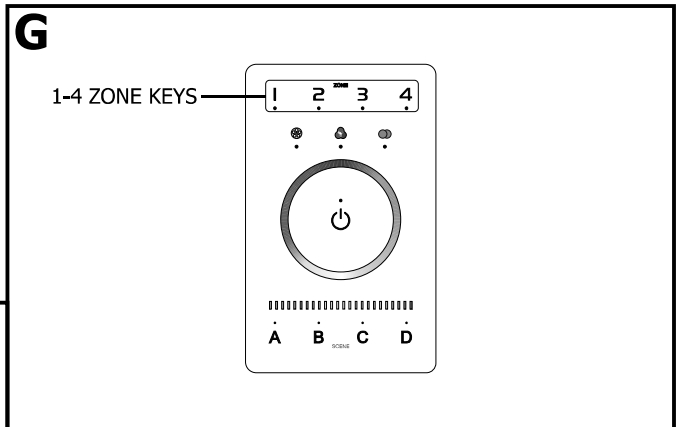
Operational Guide



1: Short press the All ON/OFF button to turn the device on and off.

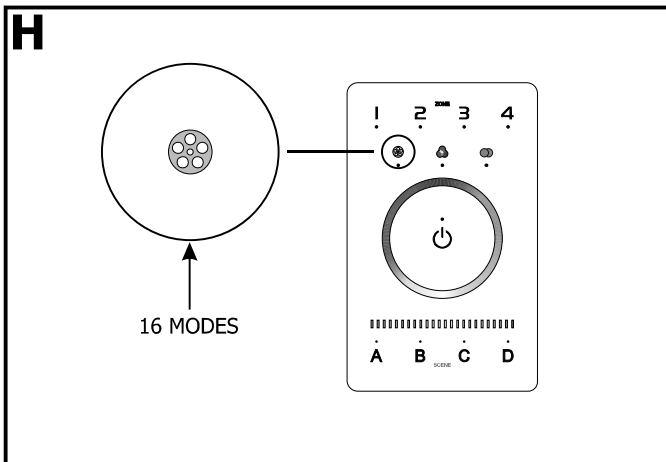
2: Short press the Zone Keys to turn on and select/deselect the zone.

3: Long press to turn off.



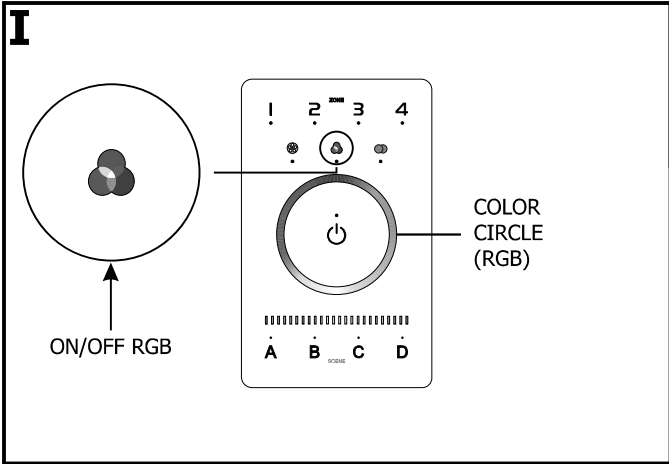
4: Short press the Modes button to play and switch modes.

5: Long press to adjust the speed.



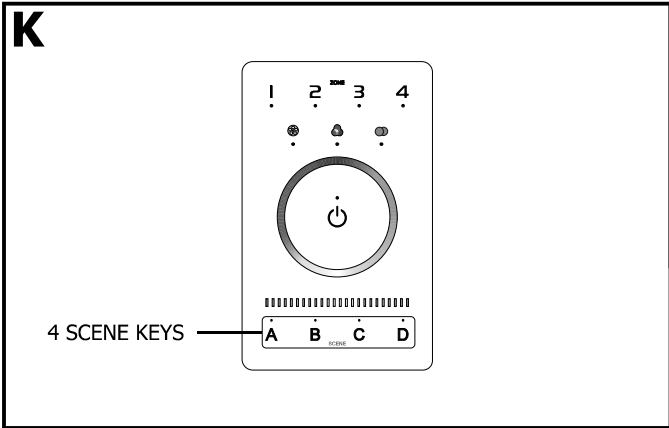
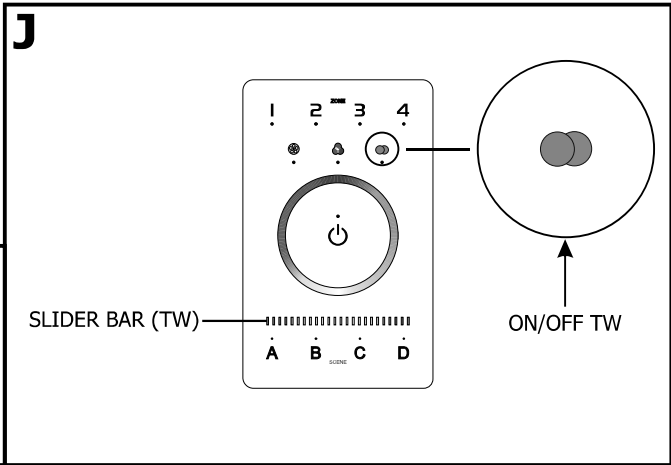
Modes:

- | | |
|-------------------------------|--|
| 1. 3 color jumping | 9. Blue purple gradient |
| 2. 7 color jumping | 10. Green yellow gradient |
| 3. White strobe | 11. Blue cyan gradient |
| 4. 7 color strobe | 12. Red purple gradient |
| 5. Red green gradient | 13. Blue white gradient |
| 6. Red blue gradient | 14. Yellow purple cyan gradient |
| 7. Green blue gradient | 15. 3 color gradient |
| 8. Red yellow gradient | 16. Full color gradient |



- 6:** Short press the RGB button to turn the RGB on and off.
- 7:** Long press to adjust the RGB brightness.
- 8:** Scroll through the Color Circle to set a specific color.

- 9:** Short press the TW button to turn the Tunable White on and off.
- 10:** Long press to adjust the Tunable White brightness.
- 11:** Slide left and right on the Slider Bar to adjust the color temperature between Warm White and Cool White.



- 12:** Short press the Scene button to play a scene.
- 13:** Refer to the app for more detailed instructions and to save scenes.

NOTE: Scan the QR Code to download the app. Follow the prompts to complete the app installation.

General Wiring Diagram

