



1718 W. Fullerton Chicago, IL 60614
 Ph: 773.770.1195 • Fax: 773.935.5613
 www.PureEdgeLighting.com • info@PureEdgeLighting.com
 © 2016 PureEdge Lighting. All Rights Reserved.

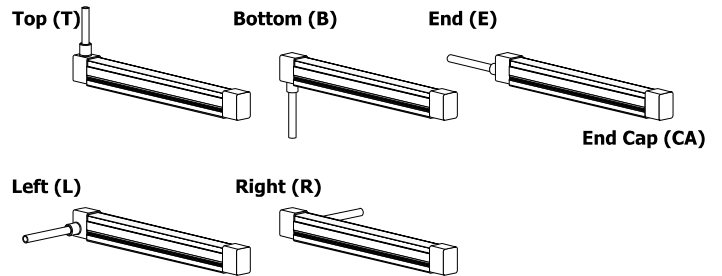
Installation Instructions for Channel Neon 0.5" Flat Lens 24VDC Outdoor Wet Location

CH-F5-__

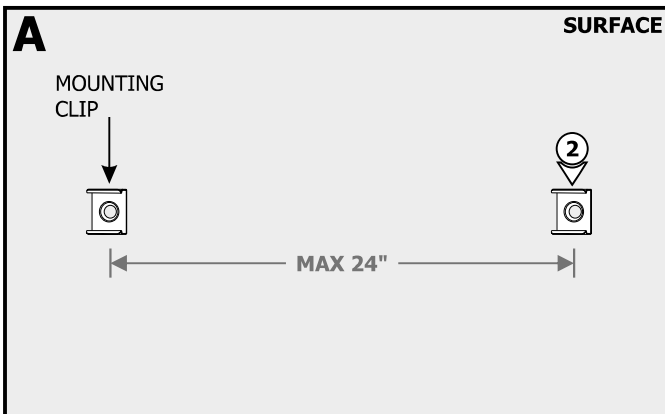
IMPORTANT INFORMATION

- This instruction shows a typical installation.
- The Outdoor Channel Neon is an IP67 rated wet location fixture featuring water tight barrel connections.

SAVE THESE INSTRUCTIONS!

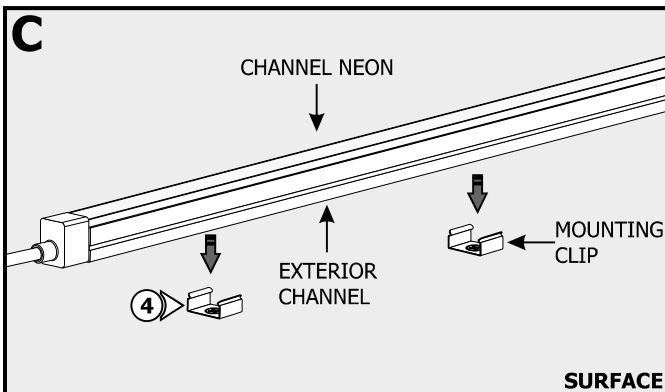
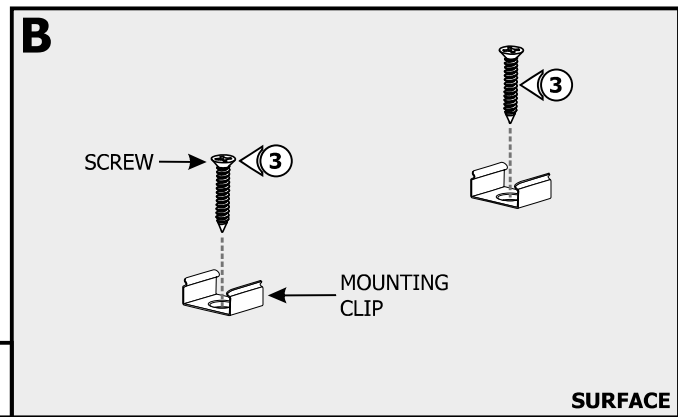


Section One: Install the Channel Neon



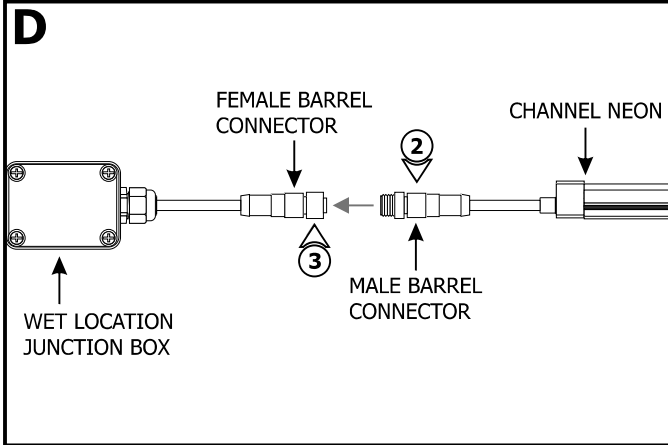
- 1: Determine the location for the Channel Neon.
- 2: Mark the location of the mounting clips evenly on a straight line. Mounting clips must be maximum 24" apart from each other (measure from the center of the mounting clip).

3: Secure the mounting clips to the surface by tightening the screw to each clip.



4: Snap the Channel Neon into each mounting clip.

Section Two: Connect to Power



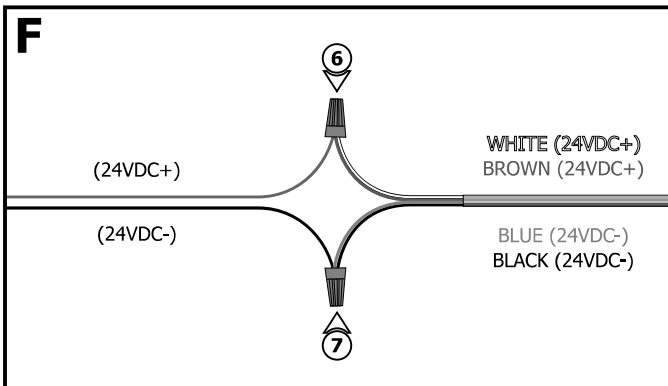
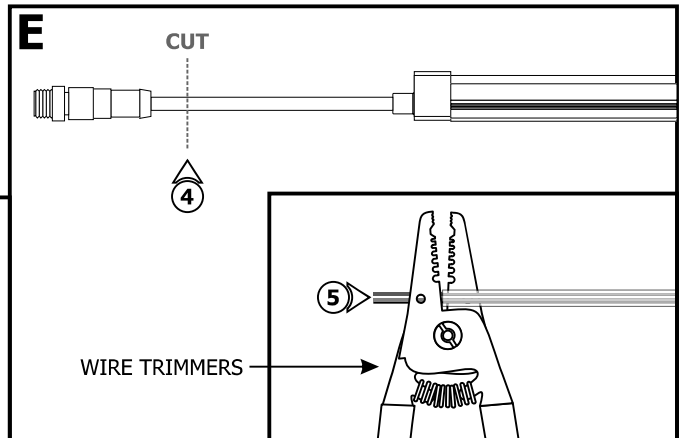
NOTE: Outdoor electrical connections must be made inside a waterproof junction box or using waterproof wire nut connections.

NOTE: Steps 1 through 3 are for the Wet Location Junction Box with Power Cable.

- 1:** Refer to the instructions provided with the wet location junction box to connect to the power supply.
- 2:** Align and push the male barrel connector of the Channel Neon into the female barrel connector going to the power supply.
- 3:** Twist the connector nut to lock in place.

NOTE: Omit steps 4 through 7 if using wet location junction box.

- 4:** Cut the end of the power cord that is going to be connected to power and discard the unused connector.
- 5:** Use AWG wire trimmers to remove the outer insulation from wire harness where electrical connection will be made.



- 6:** Connect the white and brown wires of the power cable to the +24VDC wire of the power supply using a wire nut.
- 7:** Connect the blue and black wires of the power cable to the -24VDC wire of the power supply using a wire nut.
- 8:** Refer to the wiring diagram on page 3 and the instructions provided with the power supply to complete the installation.

General Wiring Diagram

