



1718 W. Fullerton Chicago, IL 60614  
 Ph: 773.770.1195 • Fax: 773.935.5613  
 www.PureEdgeLighting.com • info@PureEdgeLighting.com  
 © 2016 PureEdge Lighting. All Rights Reserved.

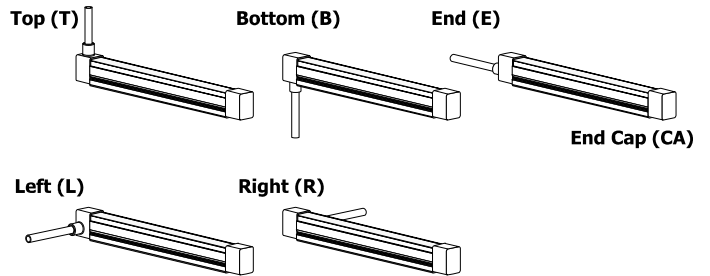
# Installation Instructions for Channel Neon 0.5" Flat Lens 24VDC Outdoor Wet Location, Tunable White

**CN-F5-\_\_**

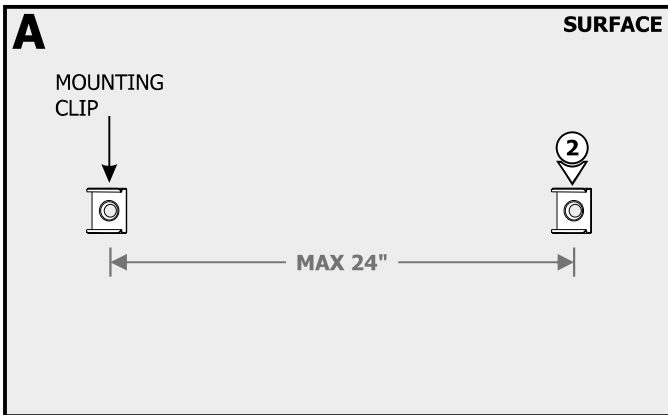
## IMPORTANT INFORMATION

- This instruction shows a typical installation.
- The Outdoor Channel Neon is an IP67 rated wet location fixture featuring water tight barrel connections.
- This product must be installed by a qualified electrician and in accordance with local electrical codes.

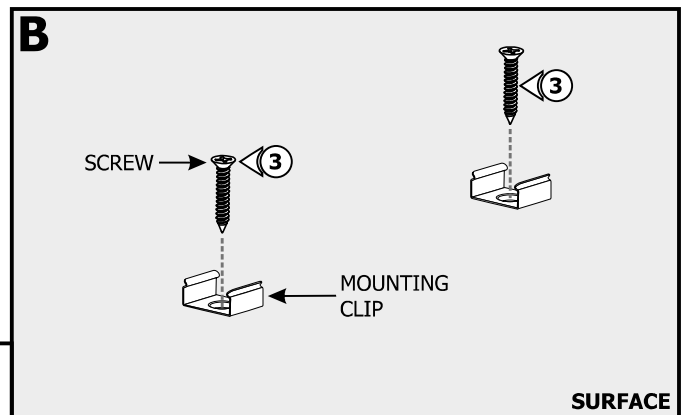
**SAVE THESE INSTRUCTIONS!**



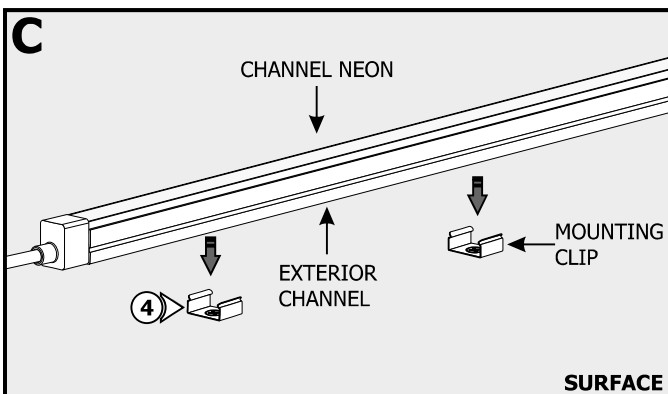
## Section One: Install the Channel Neon



- 1: Determine the location for the Channel Neon.
- 2: Mark the location of the mounting clips evenly on a straight line. Mounting clips must be maximum 24" apart from each other (measure from the center of the mounting clip).

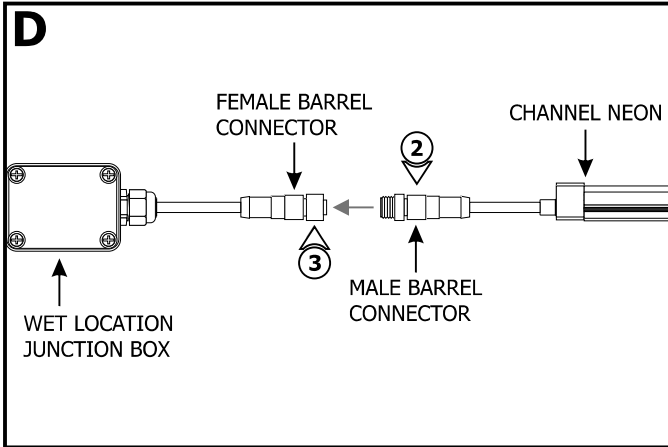


- 3: Secure the mounting clips to the surface by tightening the screw to each clip.



- 4: Snap the Channel Neon into each mounting clip.

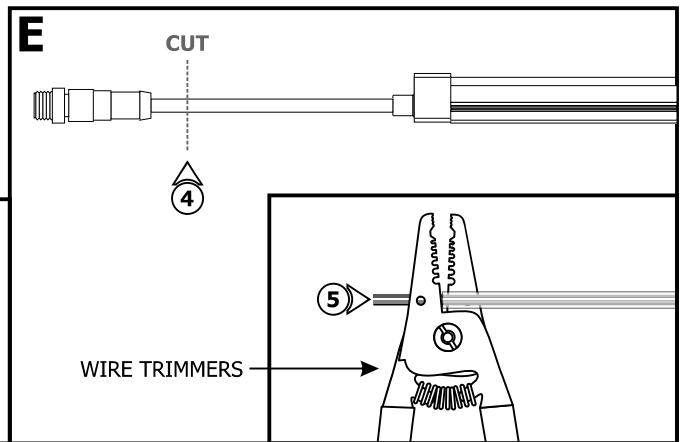
## Section Two: Connect to Power



**NOTE:** Outdoor electrical connections must be made inside a waterproof junction box or using waterproof wire nut connections.

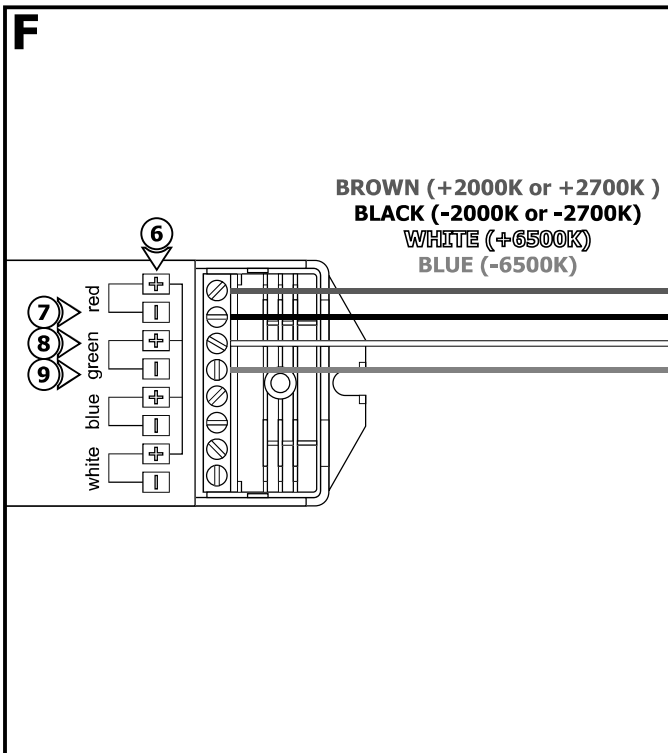
**NOTE:** Steps 1 through 3 are for the Wet Location Junction Box with Power Cable.

- 1: Refer to the instructions provided with the wet location junction box to connect to the power supply.
- 2: Align and push the male barrel connector of the Channel Neon into the female barrel connector going to the power supply.
- 3: Twist the connector nut to lock in place.



**NOTE:** Omit steps 4 through 16 if using wet location junction box.

- 4: Cut the end of the power cord that is going to be connected to power and discard the unused connector.
- 5: Use AWG wire trimmers to remove the outer insulation from wire harness where electrical connection will be made.

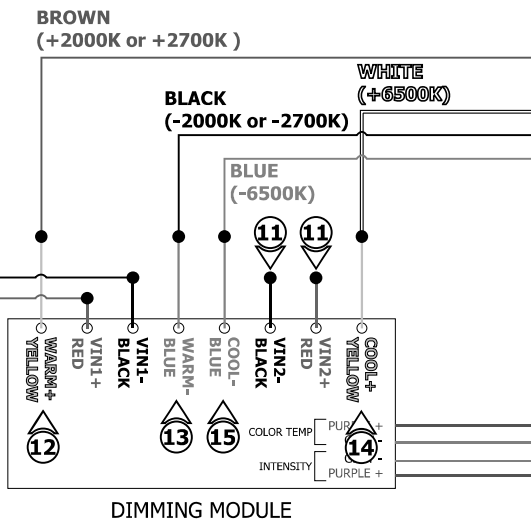


**NOTE:** The color of the power cord wires are represented as:  
 Brown for +24VDC (+2000K or +2700K)  
 Black for -24VDC (-2000K or -2700K)  
 White for +24VDC (+6500K)  
 Blue for -24VDC (-6500K)

**NOTE:** Omit steps 6 through 10 if using two channel controls. Refer to steps 11 through 16.

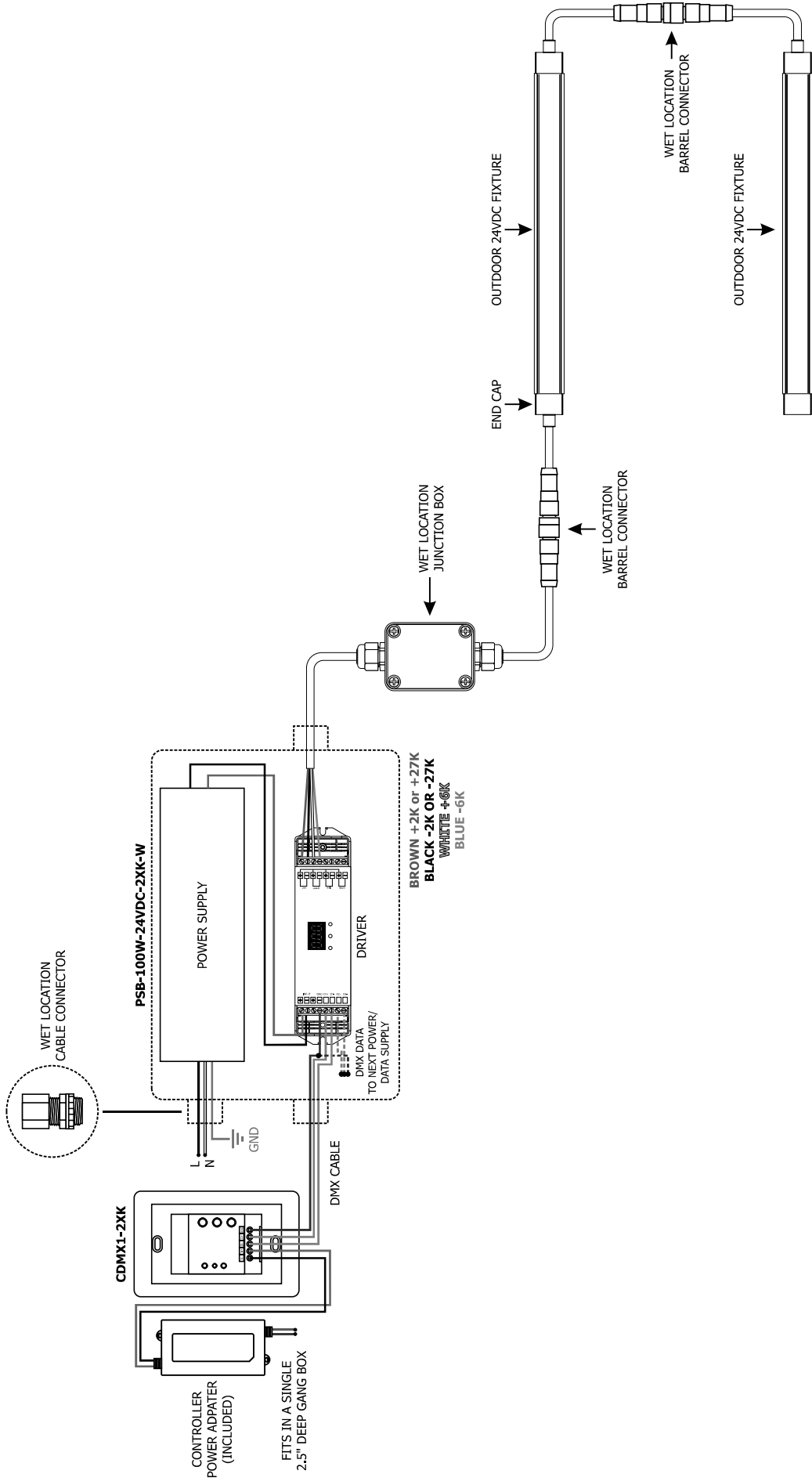
### DMX Controls:

- 6: Connect the brown wire to the red "+" DMX terminal and tighten the screw.
- 7: Connect the black wire to the red "-" DMX terminal and tighten the screw.
- 8: Connect the white wire to the green "+" DMX terminal and tighten the screw.
- 9: Connect the blue wire to the green "-" DMX terminal and tighten the screw.
- 10: Refer to the wiring diagram on page 4 and the instructions provided with the power supply to complete the installation.

**G****Two Channel Controls:**

- 11:** The Vin2+ Red and Vin2- Black wires are not used in this procedure. Cap the Vin2+ Red and Vin2- Black wires using wire nuts.
- 12:** Connect the brown wire for +2000K or +2700K to the Warm+ Yellow dimming module wire using a wire nut.
- 13:** Connect the black wire for -2000K or -2700K to the Warm- Blue dimming module wire using a wire nut.
- 14:** Connect the white wire for +6500K to the Cool+ Yellow dimming module wire using a wire nut.
- 15:** Connect the blue wire for -6500K to the Cool- Blue dimming module wire using a wire nut.
- 16:** Refer to the wiring diagram on page 5 and the instructions provided with the power supply to complete the installation.

# General Wiring Diagram with DMX Control



# General Wiring Diagram with Two Channel Controls

