



1718 W. Fullerton Chicago, IL 60614  
 Ph: 773.770.1195 • Fax: 773.935.5613  
 www.PureEdgeLighting.com • info@PureEdgeLighting.com  
 © 2016 PureEdge Lighting. All Rights Reserved.

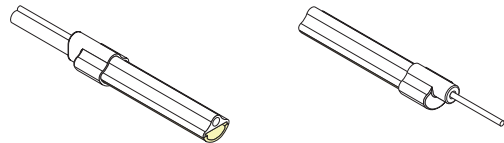
# Installation Instructions for **Saber Mini Suspension, 0.6" Round** **24VDC Outdoor Wet Location**

**FN-SMCS6-\_\_**

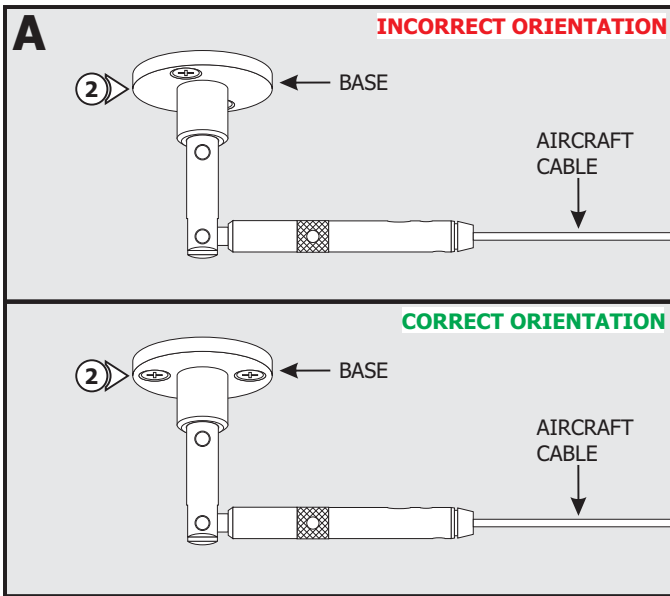
## IMPORTANT INFORMATION

- This instruction shows a typical installation.
- Saber Mini is an IP67 rated wet location system featuring water tight barrel connections.
- This product bends up or down.
- This product must be installed by a qualified electrician and in accordance with local electrical codes.

**SAVE THESE INSTRUCTIONS!**



## Section One: Install the Turnbuckle



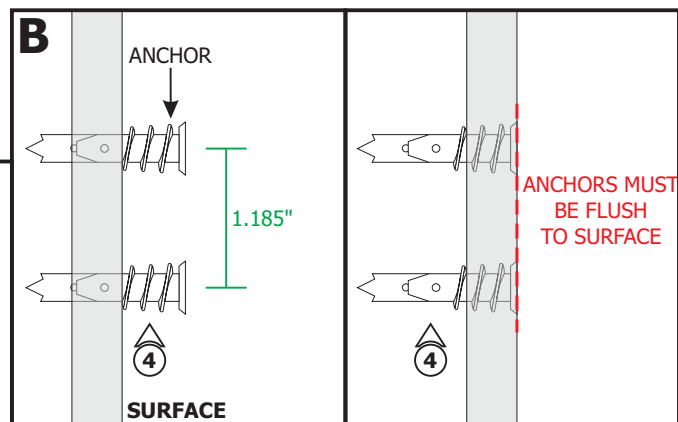
**NOTE:** Ensure the turnbuckles are mounted to a solid structure such as brick, cement, or wood studs.

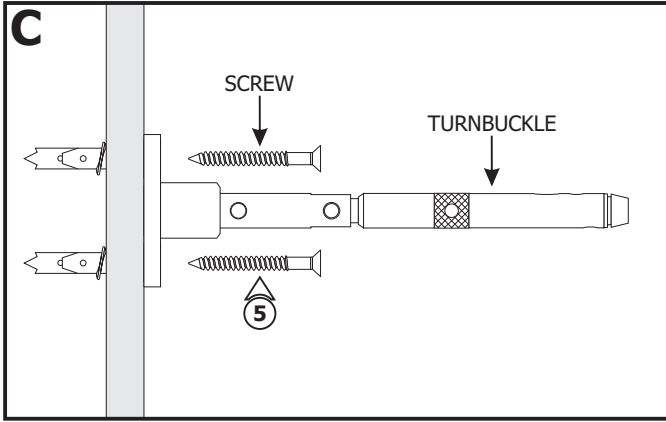
- 1: Determine the location of each turnbuckle.
- 2: When mounting the turnbuckle onto the ceiling or at an angle, the screw holes of the turnbuckle base should be in line with the aircraft cable.

**3:** Place the turnbuckle base against the surface and mark the location of the two screw holes.

**NOTE:** Step 4 is for drywall mounting. Omit this step if mounting directly to a wood surface.

**4:** Masonry anchors are not provided. Tap the anchors onto the marked points up to the threaded portion with a hammer. Screw in the threaded portion of the anchors with a Phillips screwdriver.

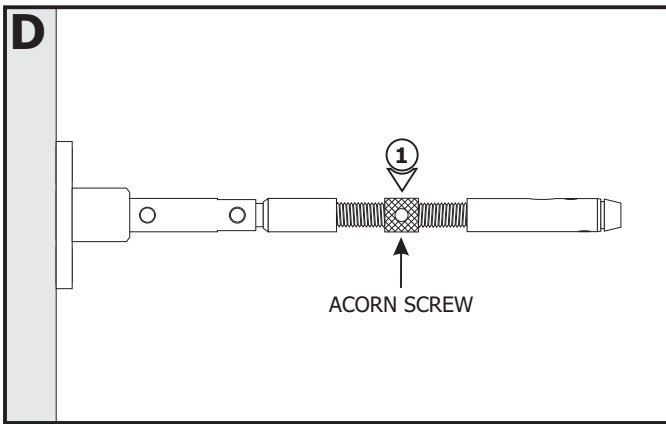




**5:** Secure the turnbuckle base to the anchors using two #8 screws provided.

**6:** Repeat steps 3 through 5 for the other turnbuckle.

## Section Two: Install the Saber Mini Channel

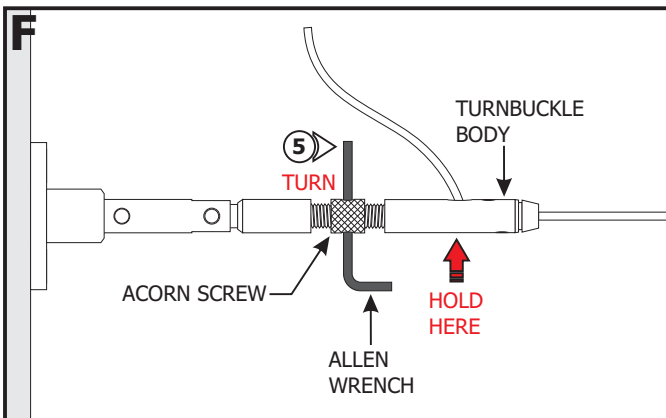
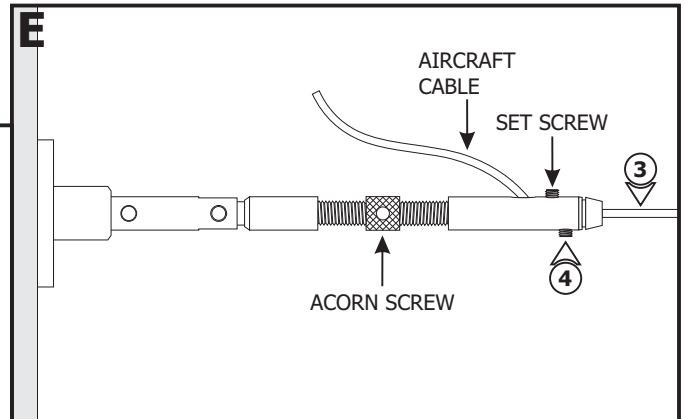


**1:** Unscrew the acorn screw on the turnbuckle body to its full extension for maximum adjustments.

**2:** Loosen (**Do Not Remove**) the two set screws on the end of the turnbuckle body using an Allen wrench.

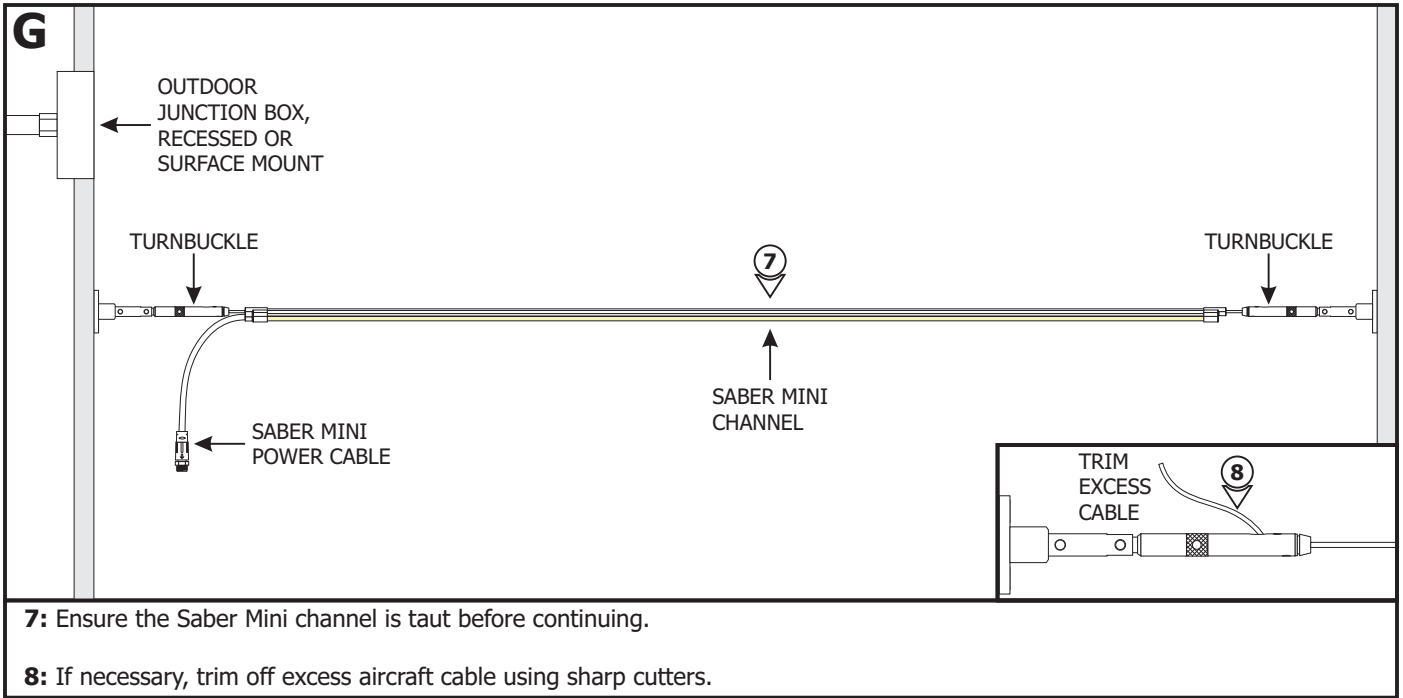
**3:** Insert the aircraft cable into the turnbuckle body and tighten the set screws.

**4:** Insert the other end of the aircraft cable into the opposite turnbuckle. Pull the cable taut between the two turnbuckles. Tighten the set screws on the opposite turnbuckle using an Allen wrench.

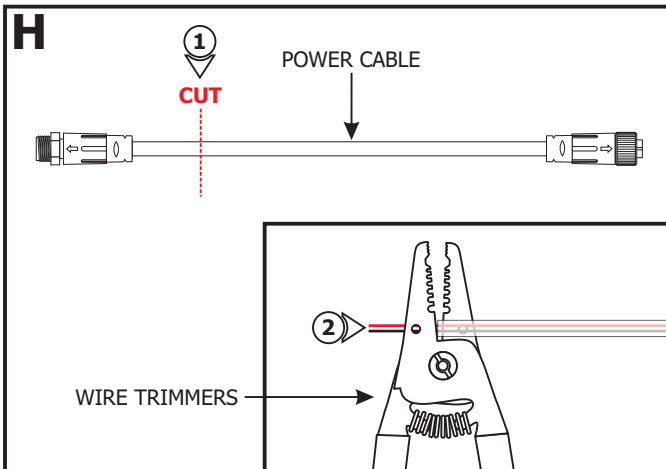


**5:** For final adjustments, insert an Allen wrench into the acorn screw hole and rotate counter clockwise with one hand while holding the turnbuckle body with the other hand.

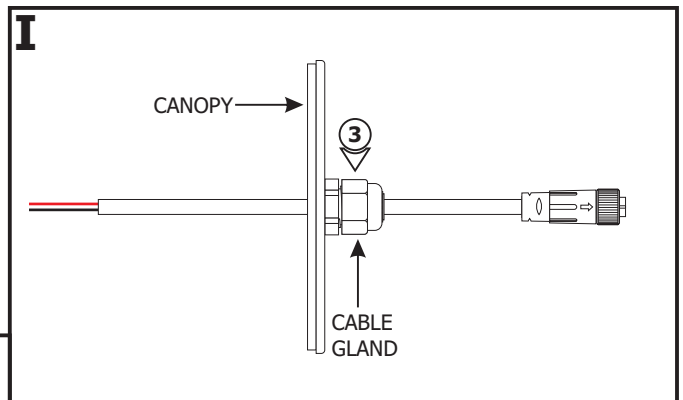
**6:** Tighten the acorn screw on each turnbuckle for the Saber Mini channel to stay taut.



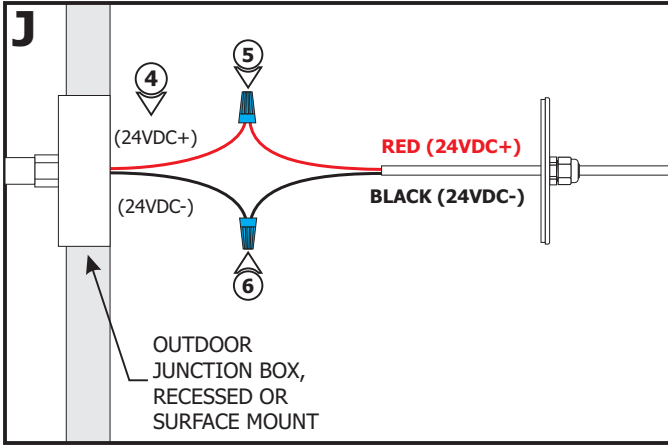
### Section Three: Connect to Power



- 1:** Keep one end of the connector (either the male or female end) that is going to be connected to the fixture. Cut and discard the other end connector.
- 2:** Use AWG wire trimmers to remove the outer insulation from the wire harness where electrical connection will be made.



- 3:** Insert the power cable through the outdoor canopy and tighten the waterproof cable gland to lock in place.



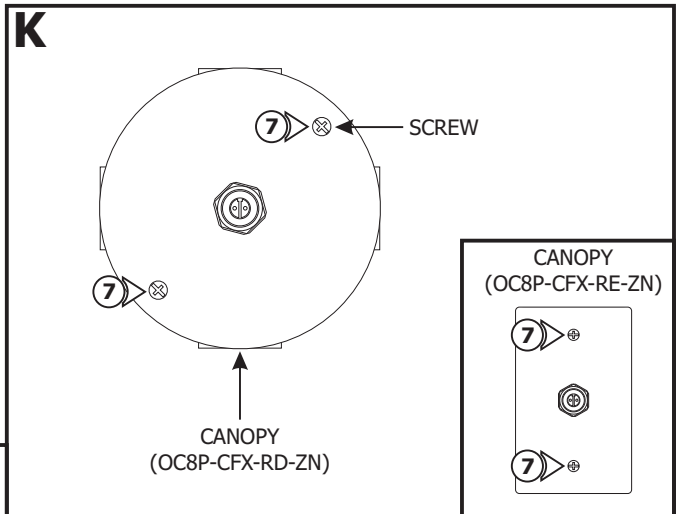
**NOTE:** Outdoor electrical connections must be made inside a waterproof junction box or using waterproof wire nut connections.

**4:** Route the 24VDC low voltage wires coming from the power supply to the outdoor junction box.

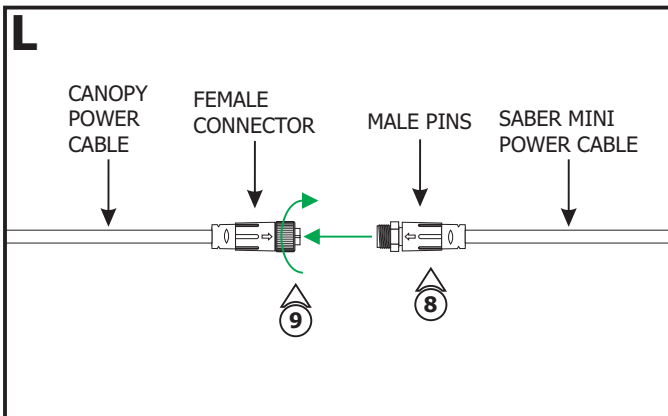
**5:** Connect the red wire of the canopy power cable to the 24VDC+ wire of the power supply using a wire nut.

**6:** Connect the black wire of the canopy power cable to the 24VDC- wire of the power supply using a wire nut.

**CAUTION:** Test the fixture.



**7:** Place the outdoor canopy over the outdoor junction box. Secure it by tightening the screws.



**8:** Align the power cables from the canopy and the Saber Mini channel and push into place, ensuring that the female connector and male pins mate properly.

**9:** Twist the connector nut to lock in place.

# General Wiring Diagram

