



1718 W. Fullerton Chicago, IL 60614
 Ph: 773,770,1195 • Fax: 773,935,5613
 www.PureEdgeLighting.com • info@PureEdgeLighting.com
 © 2016 PureEdge Lighting. All Rights Reserved.

Installation Instructions for **DIY or Completed Light Channel .6 Millwork**

LCMW.6-___



IMPORTANT INFORMATION

- This instruction shows a typical installation.
- This product must be installed by a qualified electrician and in accordance with local electrical codes.

SAVE THESE INSTRUCTIONS!



Section One: Assemble the Light Channel

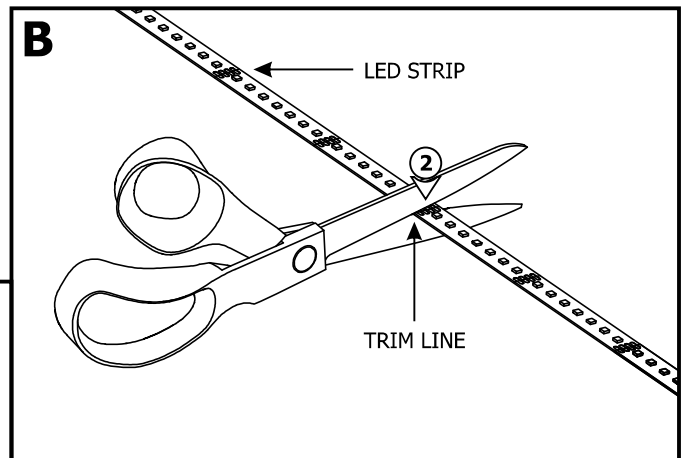
A	WATTAGE	MAX STRIP LENGTH IN INCHES
	2.5 WATTS	480
	5 WATTS	240
	7.5 WATTS	144

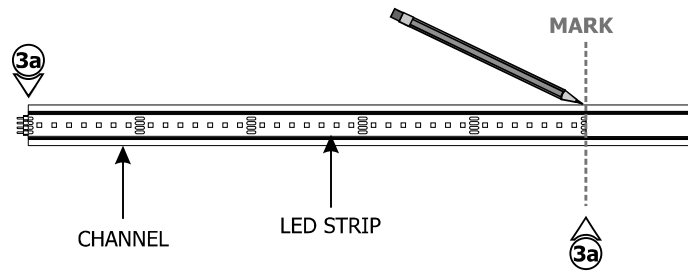
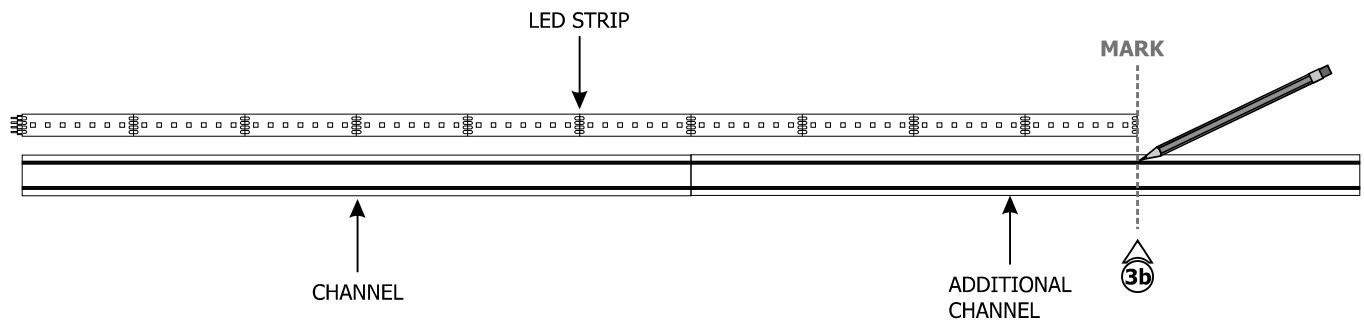
NOTE: Omit Section One if the fixture is complete.

1: The maximum length of channel is 120". Use the chart to determine the number of channels needed based on LED strip wattage. If the amount of LED strip needed is greater than 120", two or more channels should be used.

NOTE: Do not trim the strip at unmarked sections which may cause that section of the strip not to light up.

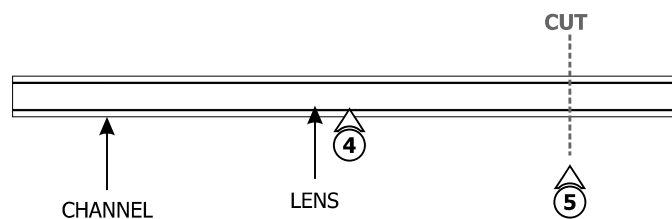
2: Determine the amount of LED strip needed. Trim the LED strip at the marked line above the contacts with a sharp scissor.



C**USING SINGLE CHANNEL****USING MULTIPLE CHANNELS**

3a: If using a single channel, lay the LED strip inside the single channel flush to one end and mark the length of the LED strip on the channel.

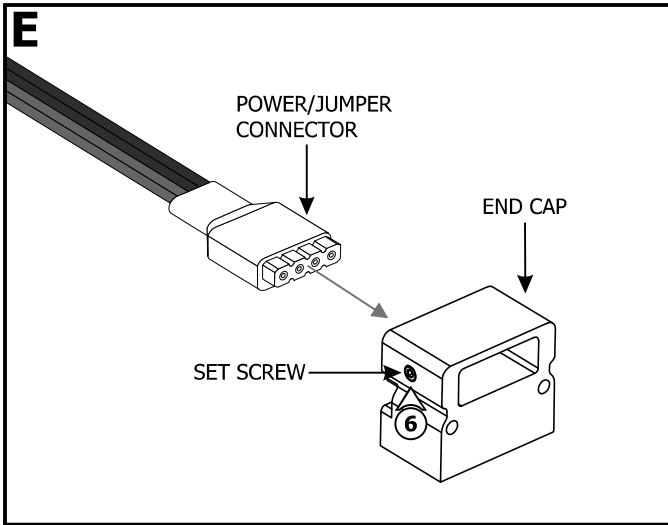
3b: For multiple channels put the channels next to each other from one end to another. Lay the LED strip inside both channels flush to one end and mark the length of the LED strip on the channel.

D

4: Remove the LED strip and snap the lens on the channel **BEFORE** cutting to length. This ensure a proper fit after installation.

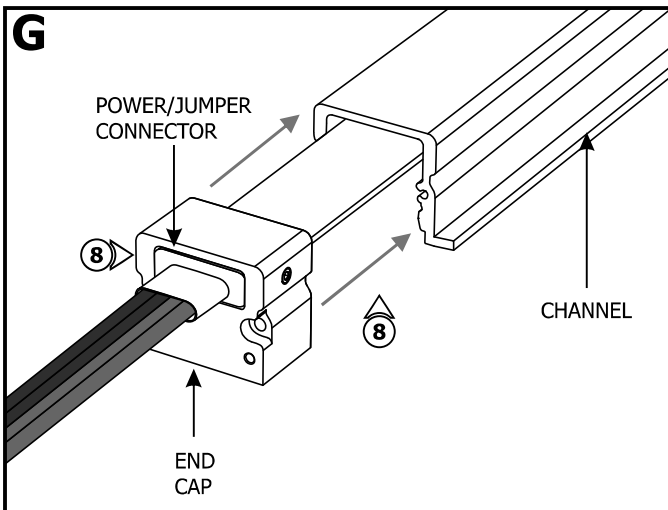
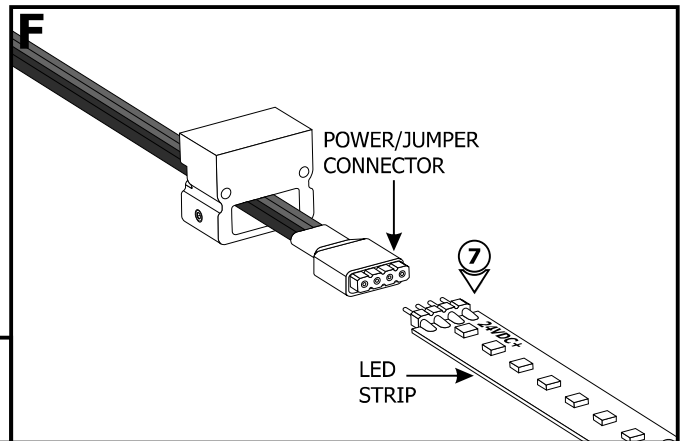
5: To match the LED strip length, cut the channel and lens with a hack or chop saw.

NOTE: Clean the burs at the end with sandpapers.



6: Loosen (**Do Not Remove**) the two set screws on the end cap using a 0.05" Allen wrench. Insert the Power/Jumper Connector through the end cap.

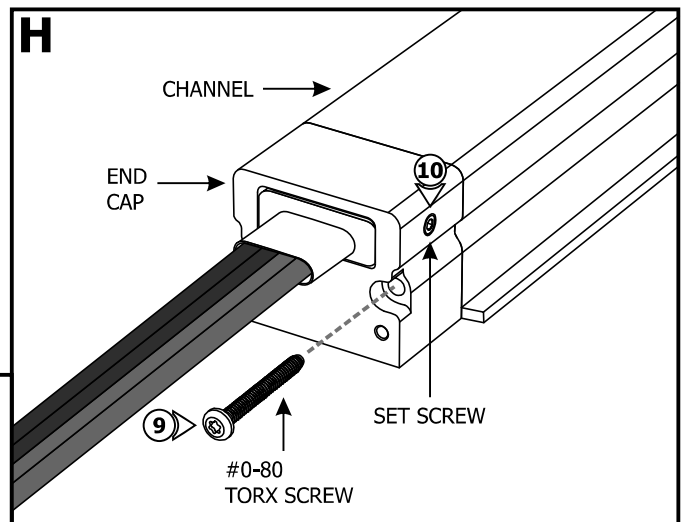
7: Align the 24VDC+ marking of the LED strip with the "+" red wires of the Power/Jumper connector. Push the LED strip into the Power/Jumper connector.

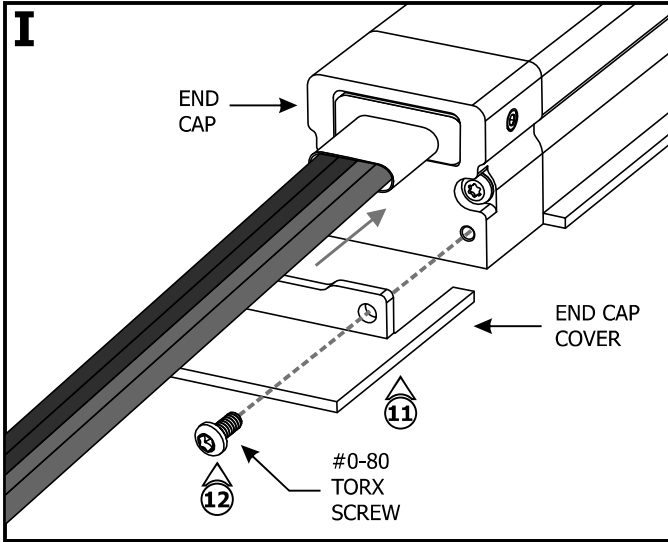


8: Insert the Power/Jumper connector inside the end cap and place the end cap onto the channel.

9: Secure the end cap to the channel by tightening the two #0-80 Torx screws using a T5 Torx screwdriver.

10: Secure the connector to the end cap by tightening the two set screws using an Allen wrench.

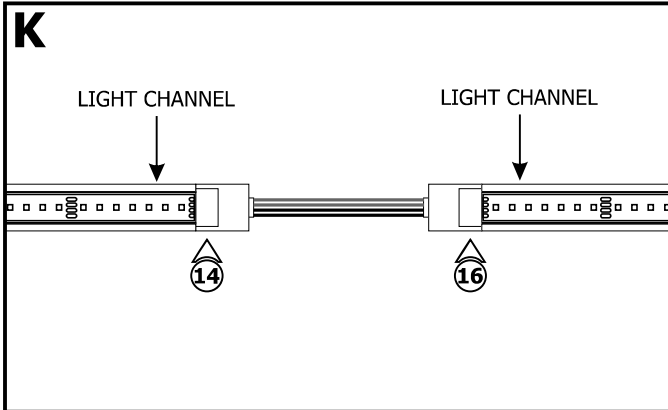
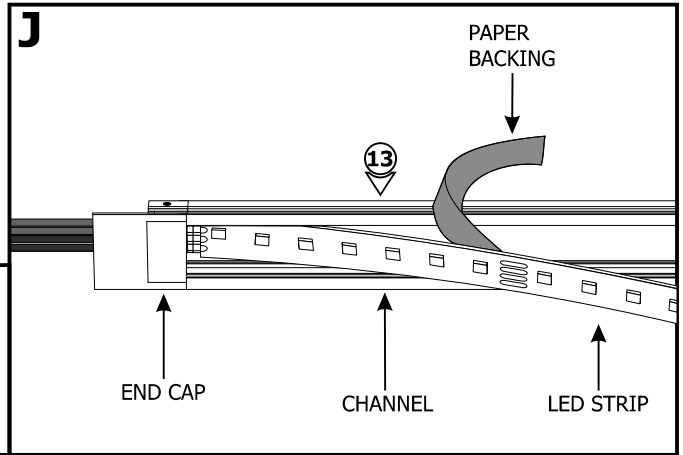




11: If not pre-installed, align the end cap cover with the end cap.

12: Secure the end cap cover to the end cap by tightening the two #0-80 Torx screws using a T5 Torx screwdriver.

13: Carefully remove the backing from the LED strip, make sure not to remove the tape from the strip. Firmly press down the adhesive portion of the strip onto the channel surface while removing the rest of the backing, making sure there are no air bubbles that can cause surface irregularities.



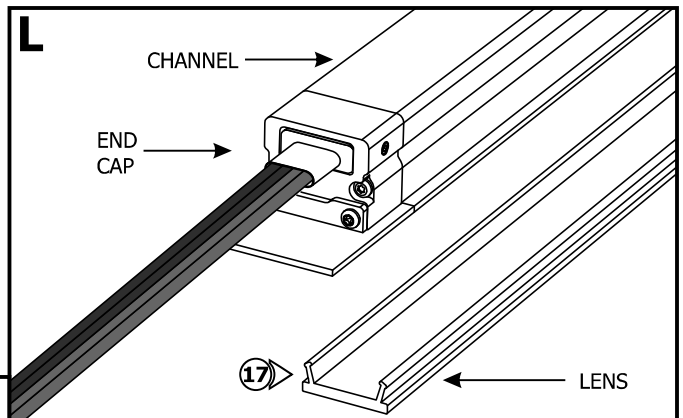
NOTE: Omit steps 14 through 16 for DIY fixtures that LED Strip are modified and cut in field.

14: Align the "+" red wires of the Power/Jumper connector with the 24VDC+ marking of the LED strip. Push the Power/Jumper connector into the LED Strip.

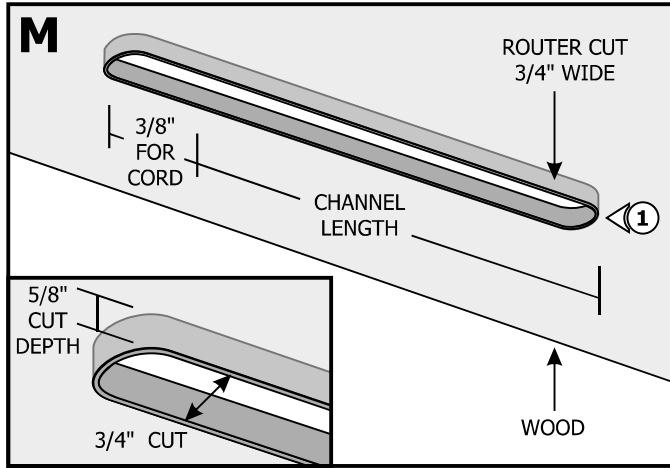
15: Secure the Power/Jumper connector to the end cap by tightening the set screws.

16: Repeat steps 6 through 13 to connect the other end of the Power/Jumper connector to the next Light Channel.

17: Snap the lens(es) to the assembled channel(s).

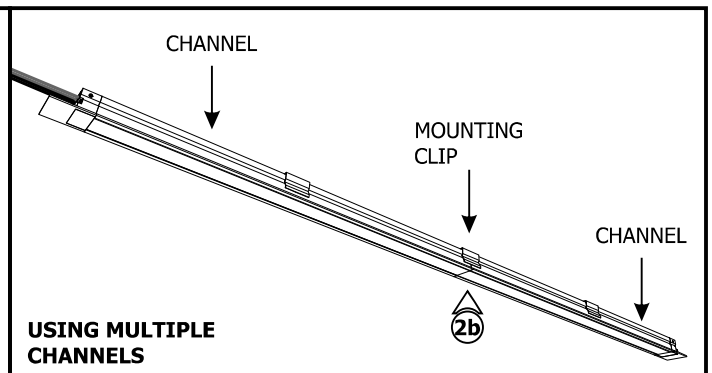
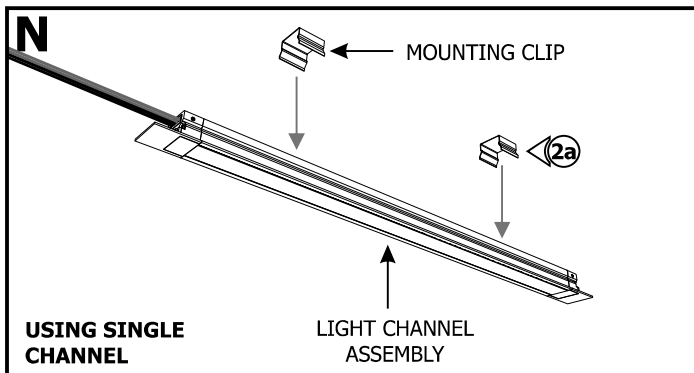


Section Two: Installing the Light Channel



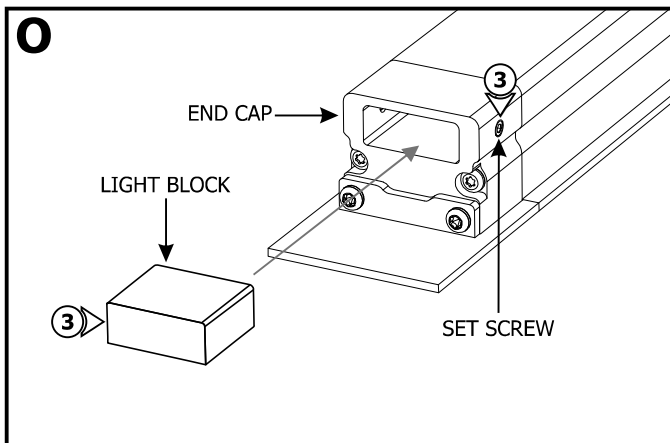
1: Determine the location for the Light Channel .6 Millwork on the wood.

NOTE: The Light Channel .6 Millwork needs to be installed onto a 3/4" thick wood. The cut out slot must be 3/4" wide and 5/8" deep. Add 3/8" to the length of the channel to accommodate the power cord spacing.

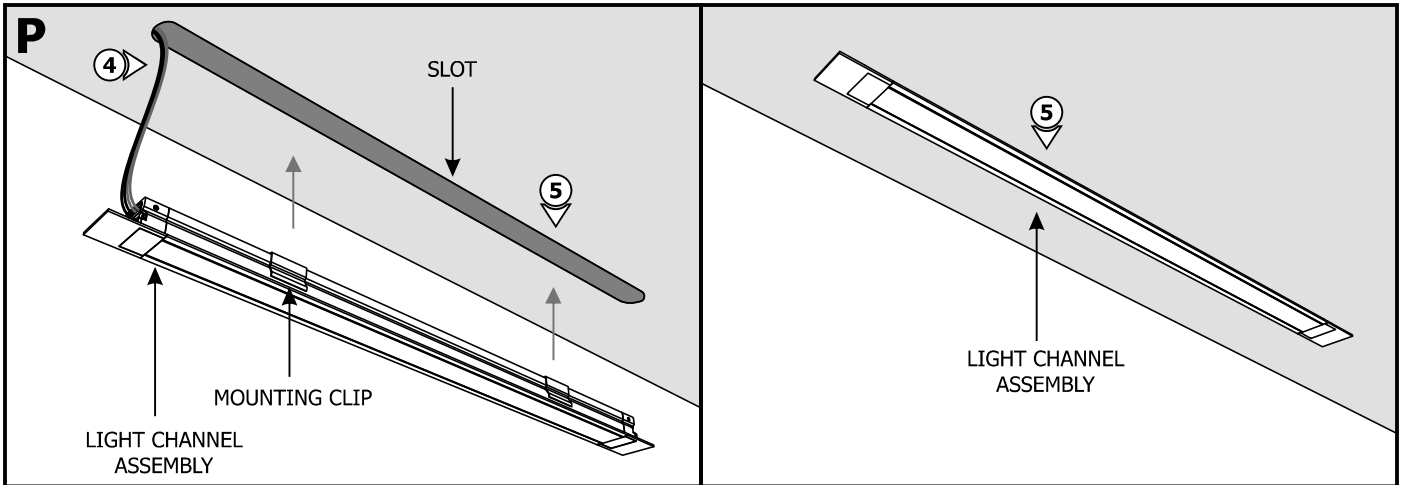


2a: Snap the light channel assembly to the mounting clips. Mounting clips must be maximum 24" apart from each other.

2b: For multiple channels, ensure that a mounting clip is in the center where the channels meet together.



3: Insert the light block into the end cap. Secure the light block by tightening the two screws using an Allen wrench.

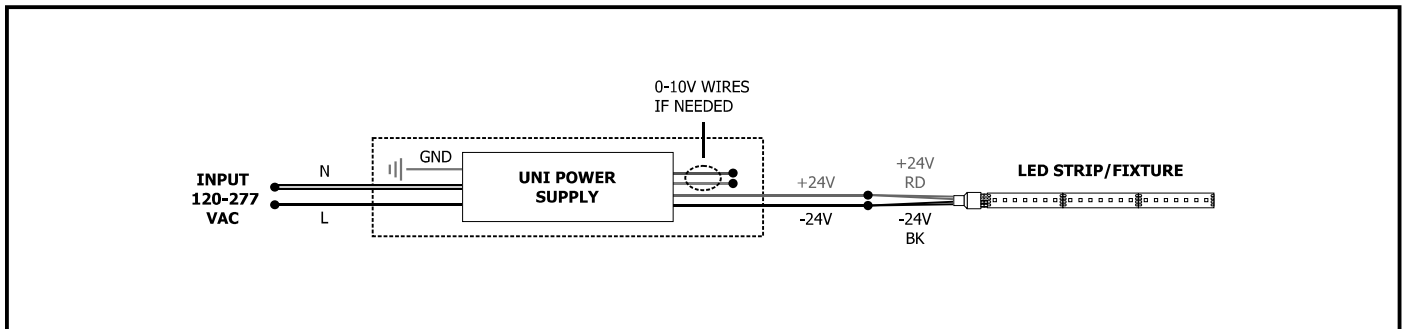


4: Drill one end of the cut out slot with a 7/32 bit to run the light channel wire.

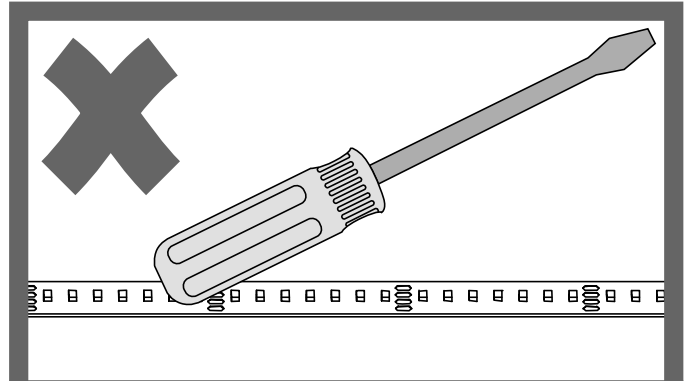
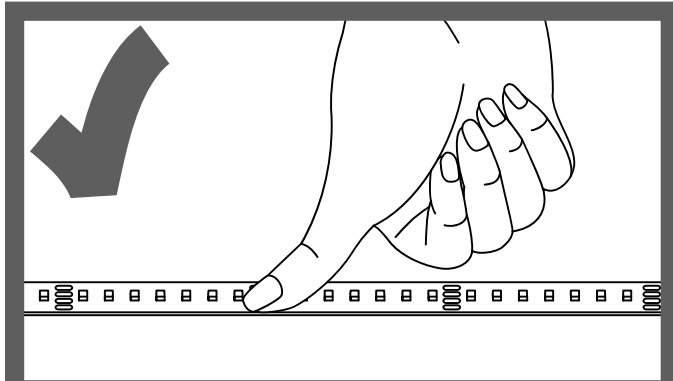
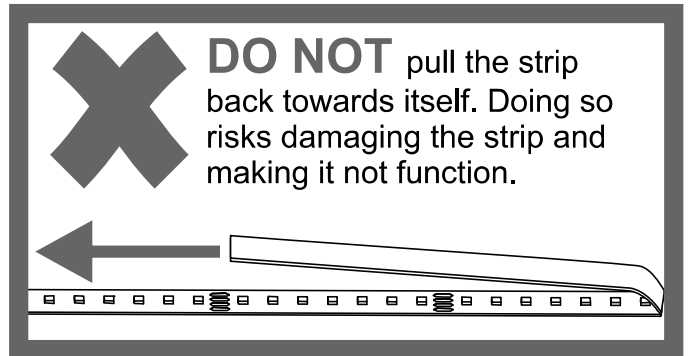
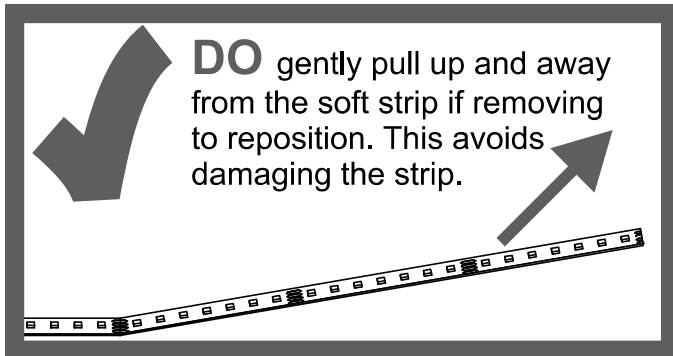
5: Feed the wires through the hole and snap the light channel into the cut out slot, make sure all the clips are tight. If necessary slide the mounting clips to the appropriate area.

NOTE: Follow instructions provided with the power supply to power the light channel.

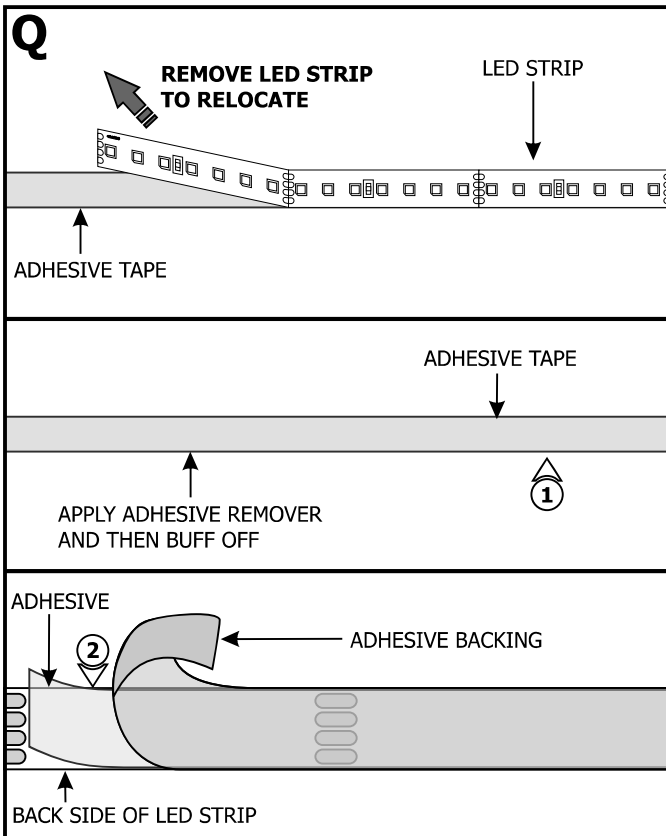
General Wiring Diagram



IMPORTANT INFORMATION REGARDING INSTALLATION AND REWORK OF SOFT STRIP LED



Relocating LED Strip (Optional)



NOTE: If relocating the installed LED strip, make sure that the adhesive tape on back of the LED strip covers the entire strip. The adhesive tape isolates the strip from the installation surface. Damaged or inconsistent adhesive tape may cause the contacts on the back of the strip to come in contact with the conductive heat sink which will cause the strip to short and burn. Call PureEdge Lighting to get replacement adhesive tape and/or optional aluminum heat sink tape (SS-HR-F).

- 1:** To remove tape residue from back of the strip, apply WD-40, Goo Gone, or a mixture of warm water and lemon oil to the corner of a clean, dry towel. Gently buff the area containing the adhesive residue until it is completely removed.
- 2:** Gently remove a few inches from one side of the tape backing. Attach the adhesive tape to the back of the LED strip and apply moderate pressure to affix the tape. Continue this step a few inches at a time until the entire adhesive tape is attached to the back of the LED strip.
- 3:** Refer to steps 7 through 13 in Section One to reinstall the LED strip.