



1718 W. Fullerton Chicago, IL 60614  
 Ph: 773.770.1195 • Fax: 773.935.5613  
 www.PureEdgeLighting.com • info@PureEdgeLighting.com  
 © 2016 PureEdge Lighting. All Rights Reserved.

# Installation Instructions for **Completed Channel .3 Surface Mount with Lazer Strip, Tunable White**

**LCS.3-\_\_**



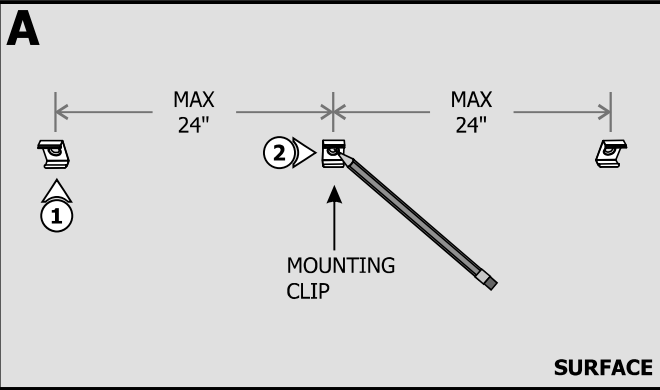
## IMPORTANT INFORMATION

- This instruction shows a typical installation.
- This product must be installed by a qualified electrician and in accordance with local electrical codes.

**SAVE THESE INSTRUCTIONS!**

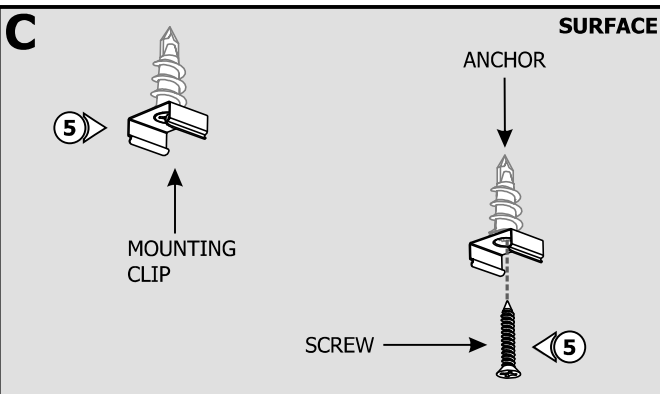
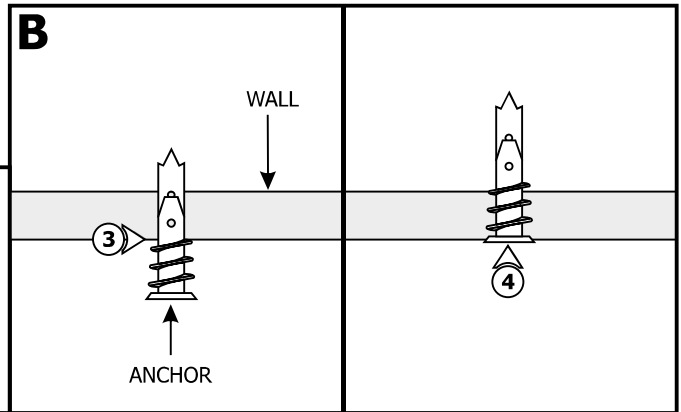


## Section One: Install the Light Channel

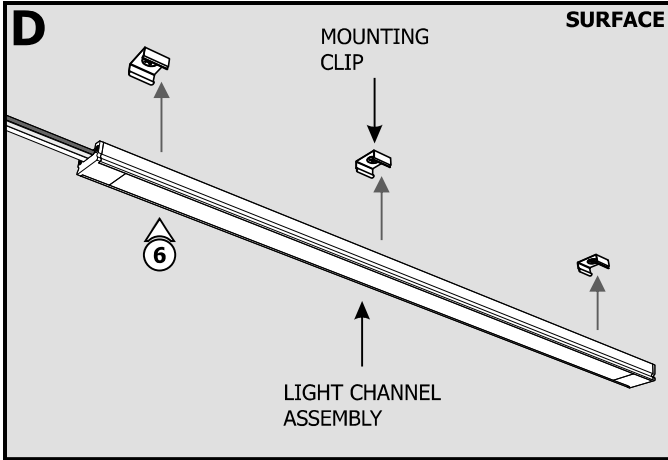


- 1: Determine the location of the Light Channel .3 Surface Mount.
- 2: Mark the location of the mounting clips evenly on a straight line. Mounting clips must be maximum 24" apart from each other.

- NOTE:** Steps 3 and 4 are for drywall mounting. Omit these steps if mounting to a wood surface directly.
- 3: Tap the anchors onto the marked locations up to the threaded portion with a hammer.
  - 4: Screw in the threaded portion of the anchors with a Phillips screwdriver.



- 5: Align the mounting clips to the anchors and secure each clip to each anchor by tightening the #8 screws.



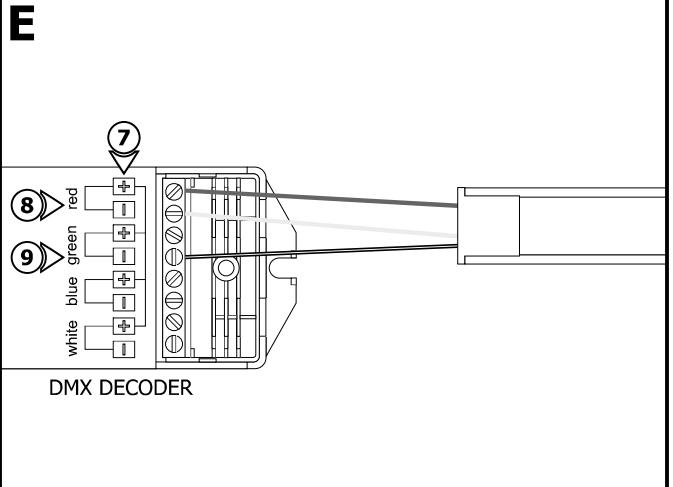
**6:** Snap the light channel assembly to the mounting clips.

**NOTE:** Omit steps 7 through 9 if using two channel controls. Refer to steps 10 through 12.

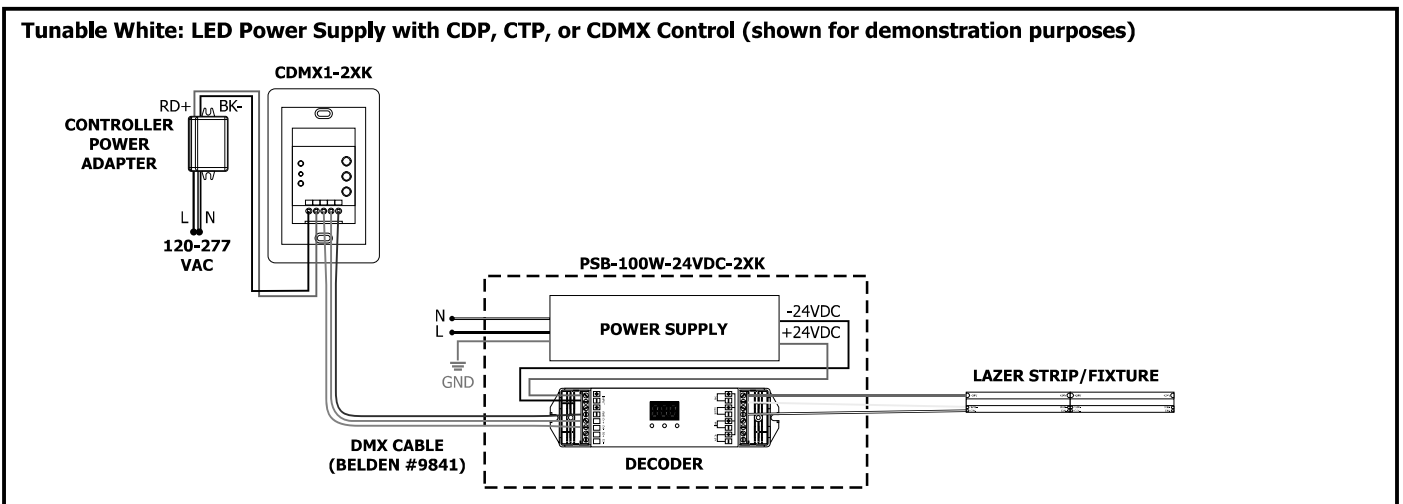
**DMX Controls:**

- 7:** Connect the red +24V fixture wire to the red "+" DMX terminal and tighten the screw.
- 8:** Connect the yellow fixture wire to the red "-" DMX terminal and tighten the screw.
- 9:** Connect the white fixture wire to the green "-" DMX terminal and tighten the screw.

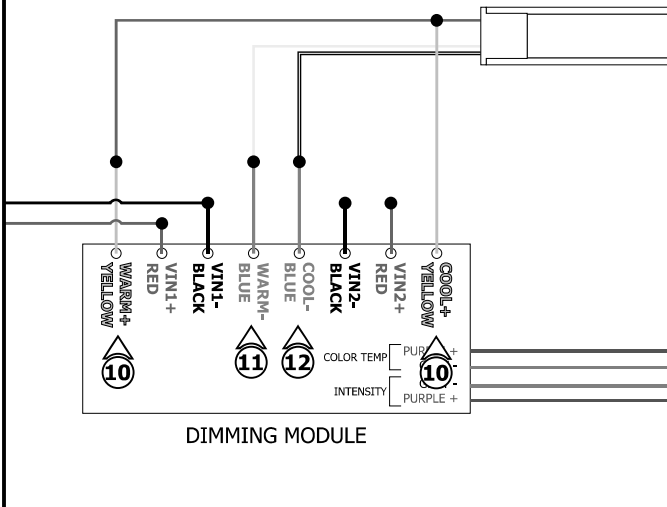
**NOTE:** Refer to the wiring diagram below and the instructions provided with the power supply and controller to power the light channel.



## General Wiring Diagram



**F**



**NOTE:** Omit steps 10 through 12 if using DMX controls.

**Two Channel Controls:**

**10:** Connect the red +24V fixture wire to the Warm+ Yellow and Cool+ Yellow dimming module wires using a wire nut.

**11:** Connect the yellow fixture wire to the Warm- Blue dimming module wire using a wire nut.

**12:** Connect the white fixture wire to the Cool- Blue dimming module wire using a wire nut.

**NOTE:** Refer to the wiring diagram below and the instructions provided with the power supply and controller to power the light channel.

**General Wiring Diagram**

**Tunable White: LED Power Supply with two Channel Controls, for Intensity and Color Temperature**

