



1718 W. Fullerton Chicago, IL 60614
 Ph: 773.770.1195 • Fax: 773.935.5613
 www.PureEdgeLighting.com • info@PureEdgeLighting.com
 © 2016 PureEdge Lighting. All Rights Reserved.

Installation Instructions for **DIY Light Channel .3 Surface Mount** **with Stomp Strip or Lazer Strip**

LCS.3-__



IMPORTANT INFORMATION

- This instruction shows a typical installation.
- This product must be installed by a qualified electrician and in accordance with local electrical codes.

SAVE THESE INSTRUCTIONS!



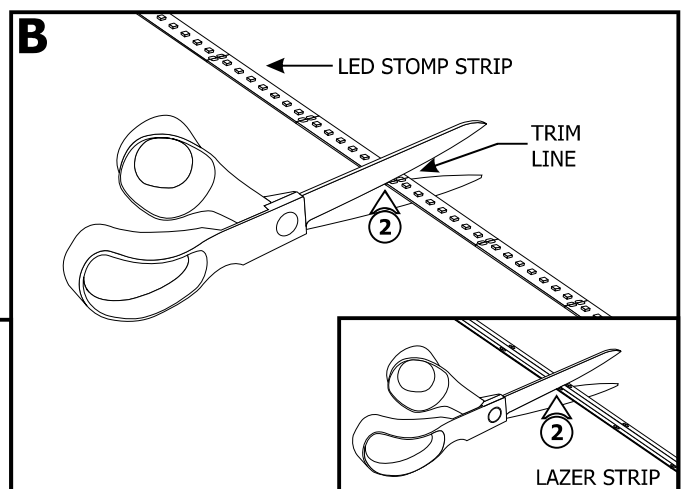
Section One: Assemble the Light Channel

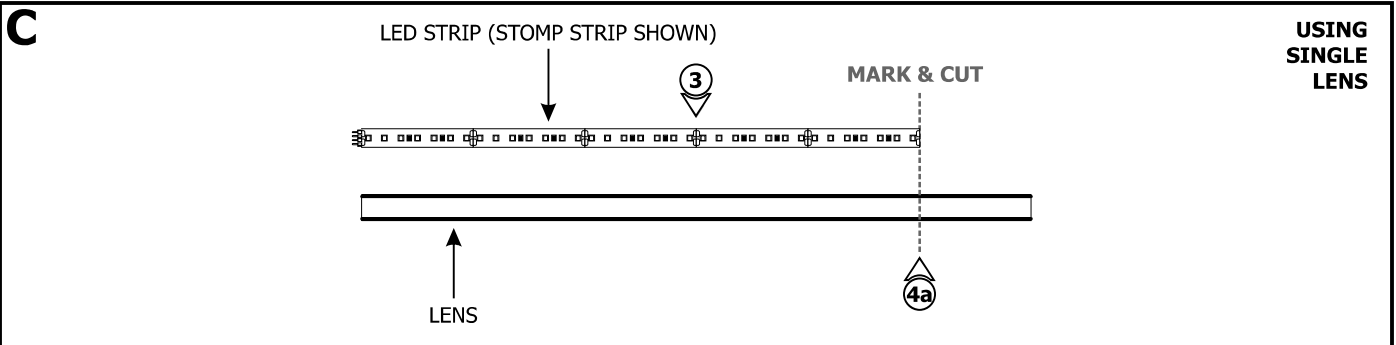
A	STOMP STRIP WATTAGE	MAX STRIP LENGTH IN INCHES
	2.5 WATTS	480
	4.4 WATTS	240
	LAZER STRIP WATTAGE	MAX STRIP LENGTH IN INCHES
	3.3 WATTS	360
	4.4 WATTS	240

1: The maximum length of channel is 120". Use the chart to determine the number of channels needed based on LED strip wattage. If the amount of LED Strip needed is greater than 120", two or more channels should be used.

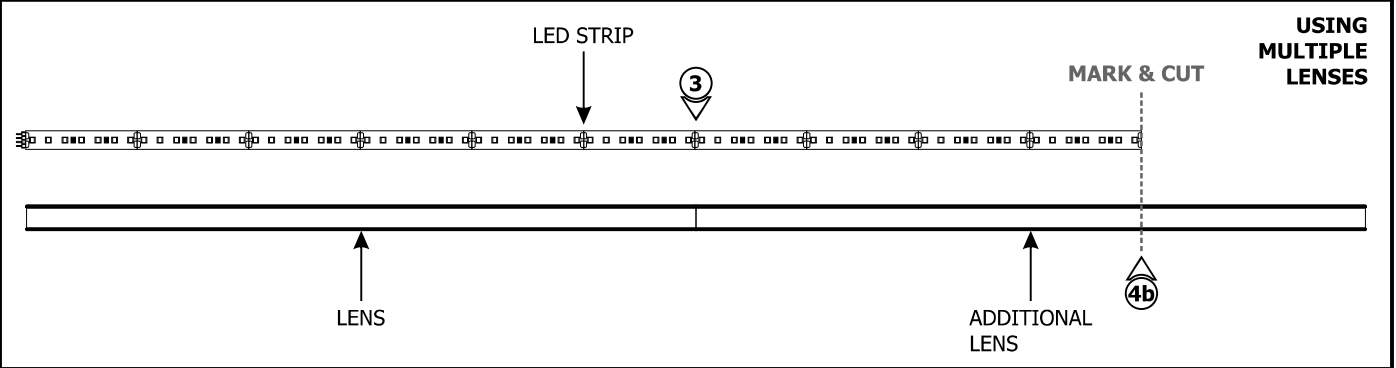
NOTE: Do not trim the strip at unmarked sections which may cause that section of the strip to not light up.

2: Determine the amount of LED Strip needed. Trim the LED Strip at the marked line above the contacts with a sharp scissor.





USING SINGLE LENS



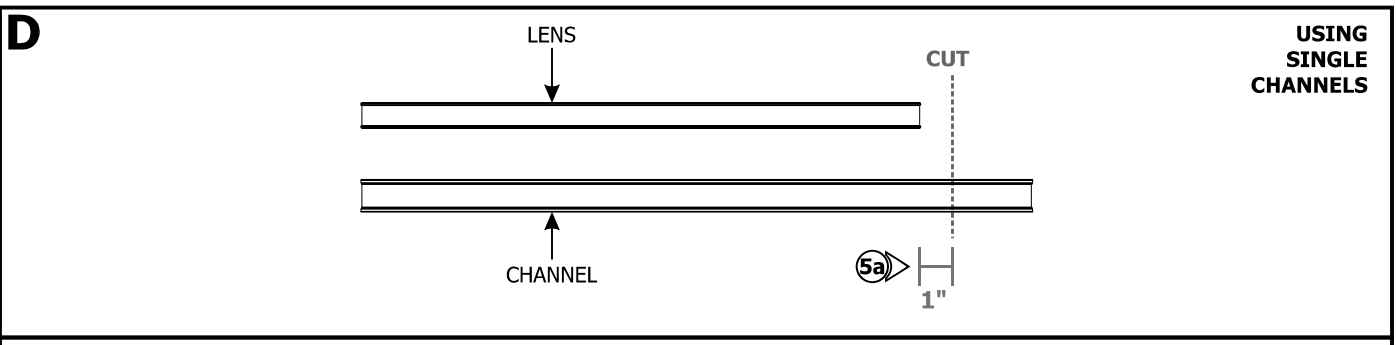
USING MULTIPLE LENSES

3: Measure the LED Strip from end to end and mark the length on the lens.

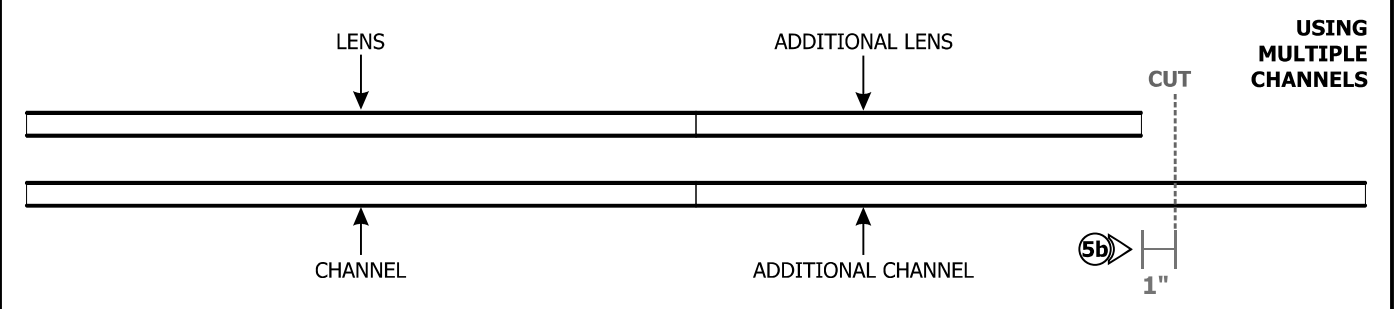
4a: To match the LED Strip length for a single lens, cut the lens with a hack or chop saw.

4b: For multiple lenses, put the lenses next to each other from one end to another. Mark the length of the LED Strip on the lens and cut the lens with a hack or chop saw.

NOTE: Clean the burs at the end with sandpapers.



USING SINGLE CHANNELS

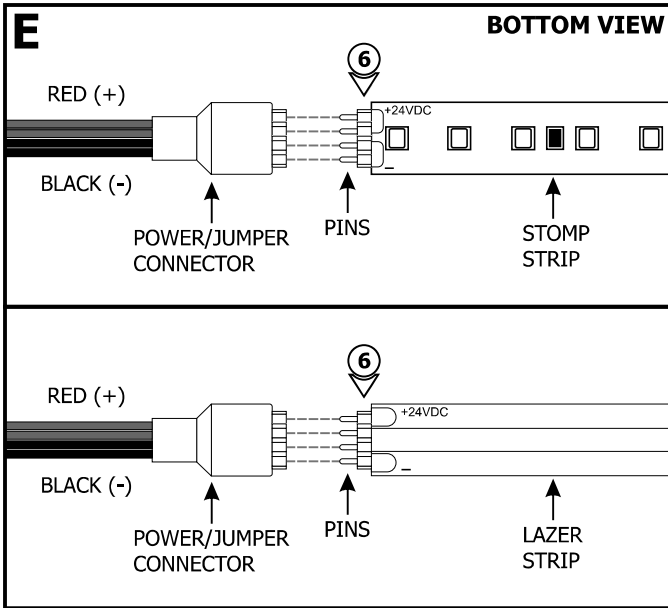


USING MULTIPLE CHANNELS

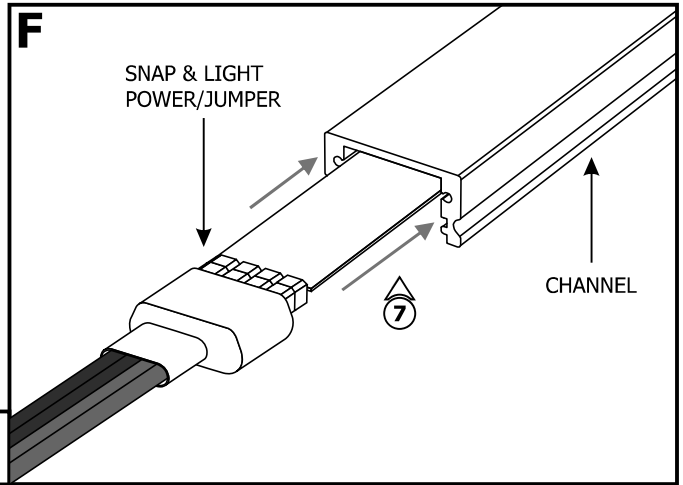
5a: When cutting the channel with a chop or hack saw, make sure the channel length is 1" larger than the length of the lens and LED Strip.

5b: For multiple channels, put the channels next to each other from one end to another. When cutting, make sure the channel length is 1" larger than the length of the lenses and LED Strip.

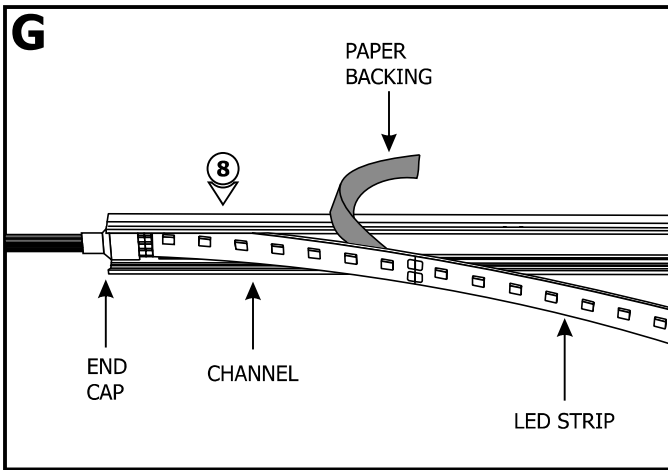
NOTE: Clean the burs at the end with sandpapers.



6: Align the +24VDC marking on the LED strip with the "+" red wires of the Power/Jumper connector. Push the LED strip into the Power/Jumper connector.



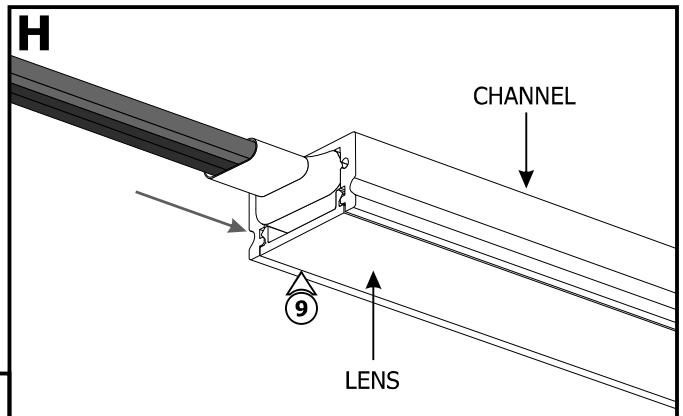
7: Insert the Snap & Light Power/Jumper connector into the channel.

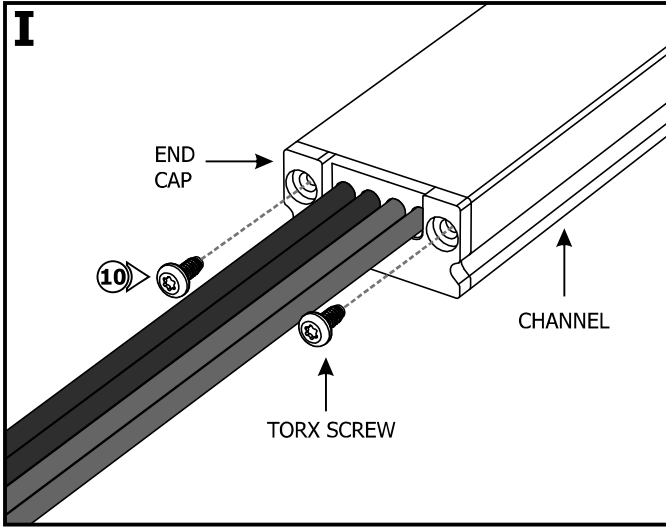


8: Carefully remove the backing from the LED strip, make sure not to remove the tape from the strip. Firmly press down the adhesive portion of the strip onto the channel surface while removing the rest of the backing, making sure there are no air bubbles that can cause surface irregularities.

NOTE: Refer to page 7 for important information regarding installation and rework of the LED Strip.

9: Slide the lens(es) into the assembled channel(s).





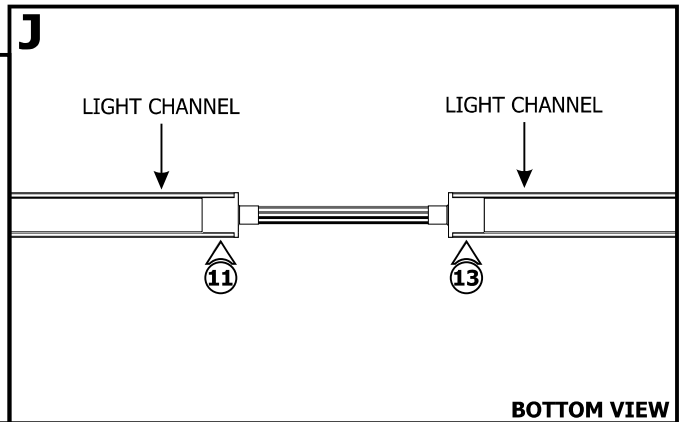
10: Slide the end caps into the channel and secure it by tightening the two Torx screws using a T5 Torx screwdriver.

NOTE: Omit steps 11 through 13 for DIY fixtures that LED Strip are modified and cut in field.

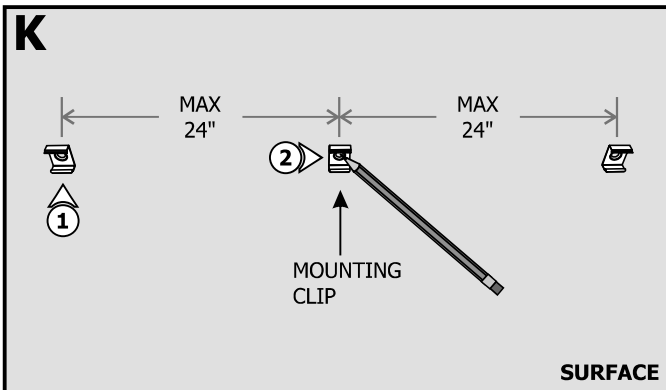
11: Align the "+" red wires of the Power/Jumper connector with the 24VDC+ marking of the LED strip. Push the Power/Jumper connector into the LED Strip.

12: Secure the end cap to the channel by tightening the torx screws.

13: Repeat steps 6 through 10 to connect the other end of the Power/Jumper connector to the next Light Channel.

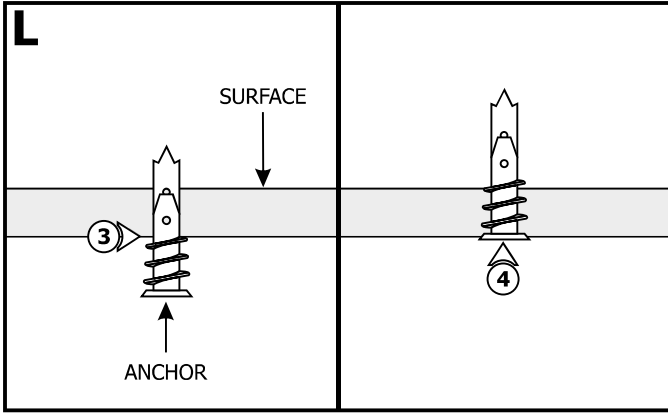


Section Two: Install the Light Channel



1: Determine the location of the Light Channel .3 Surface Mount.

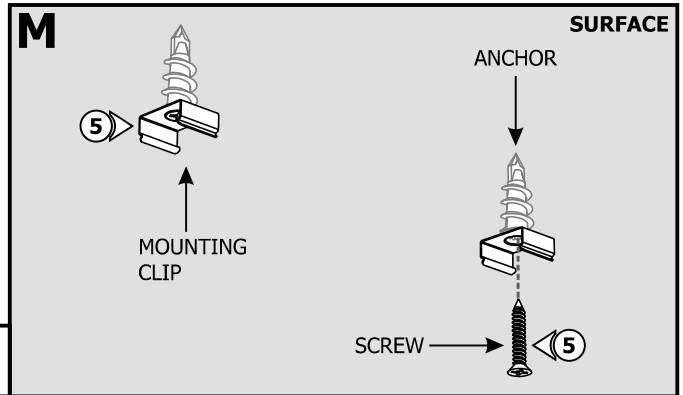
2: Mark the location of the mounting clips evenly on a straight line. Mounting clips must be maximum 24" apart from each other.



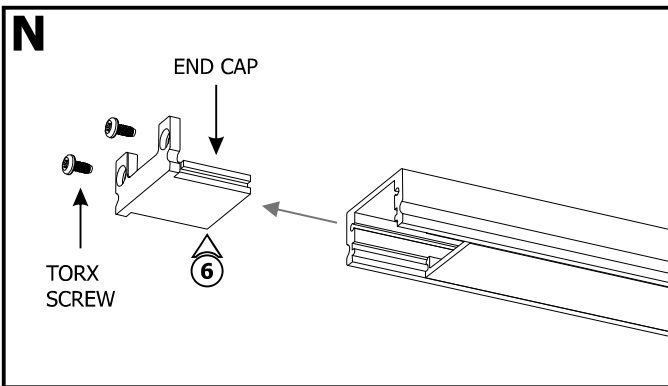
NOTE: Steps 3 and 4 are for drywall mounting. Omit these steps if mounting to a wood surface directly.

3: Tap the anchors onto the marked locations up to the threaded portion with a hammer.

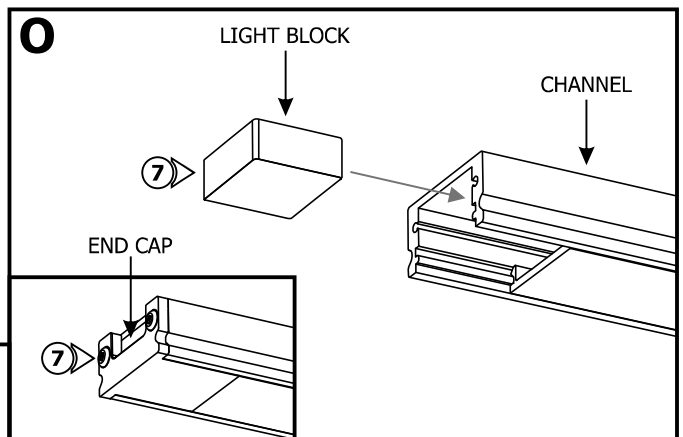
4: Screw in the threaded portion of the anchors with a Phillips screwdriver.



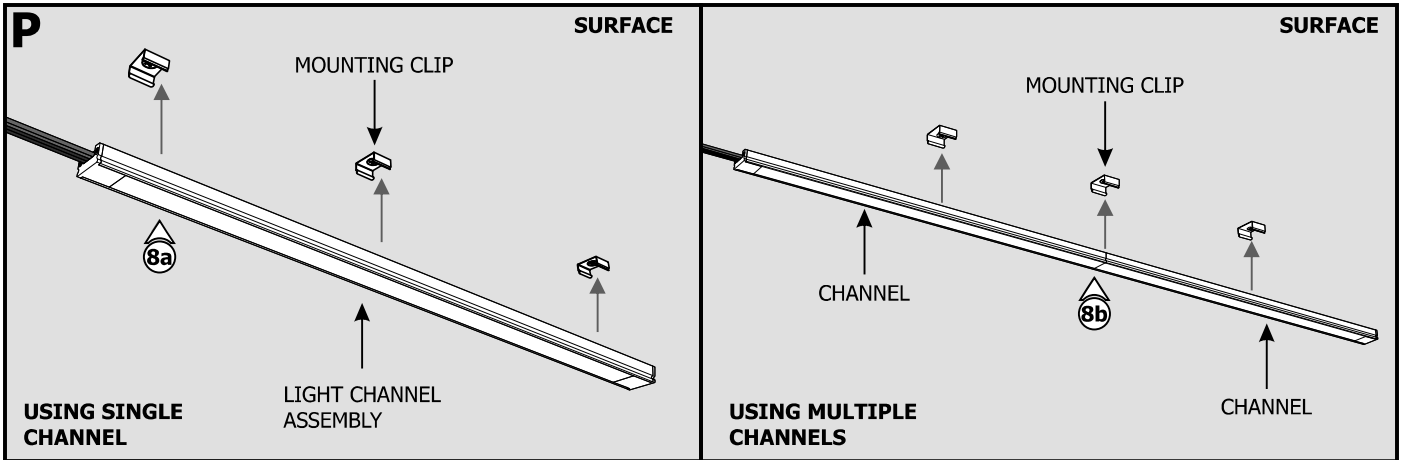
5: Align the mounting clips to the anchors and secure each clip to each anchor by tightening the #8 screws.



6: Remove the two Torx screws on the end cap to remove the end cap.



7: Place the light block inside the channel. Replace the end cap and secure it by tightening the two Torx screws using a T5 Torx screwdriver.

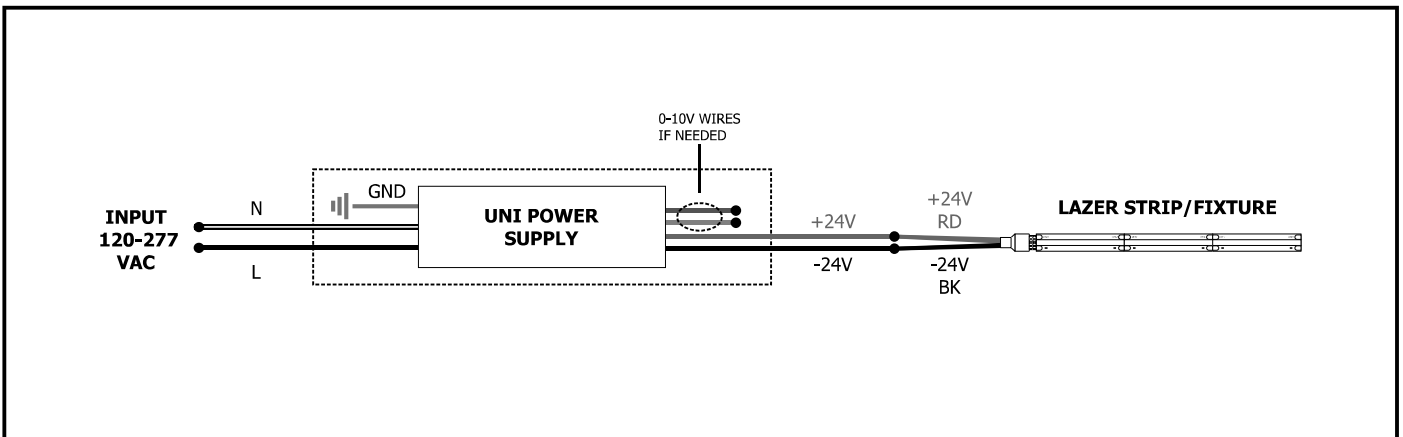
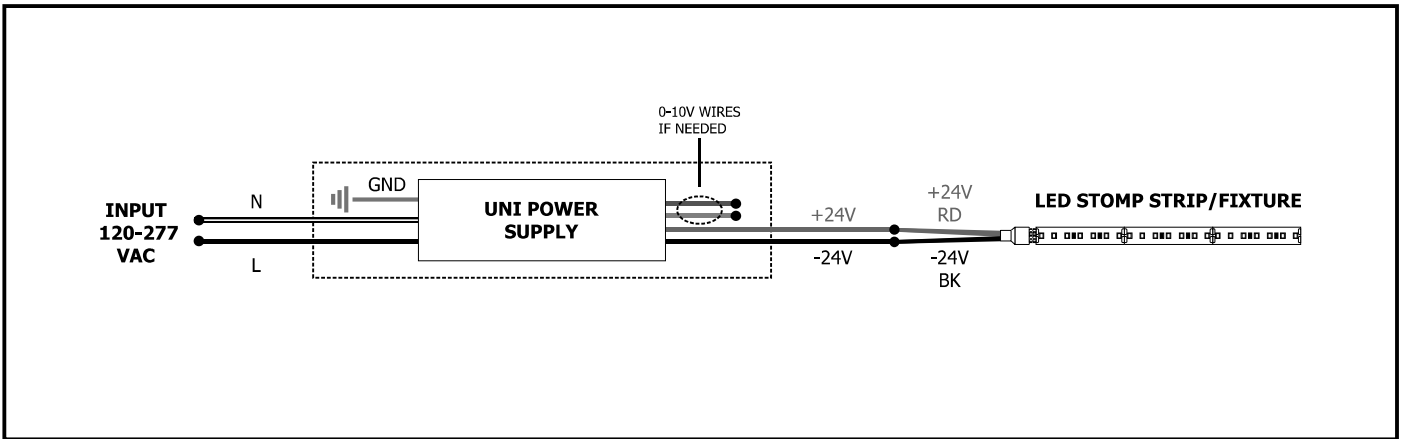


8a: Snap the light channel assembly to the mounting clips.

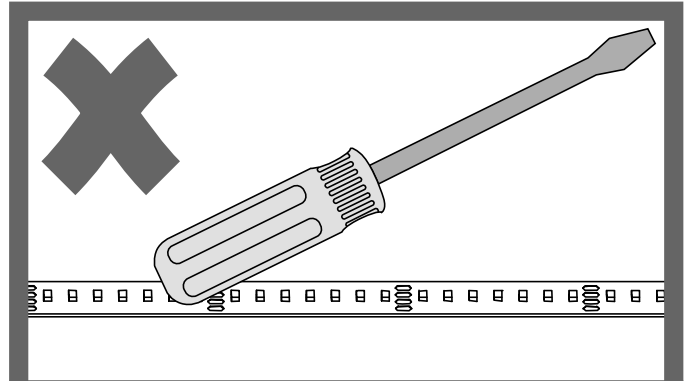
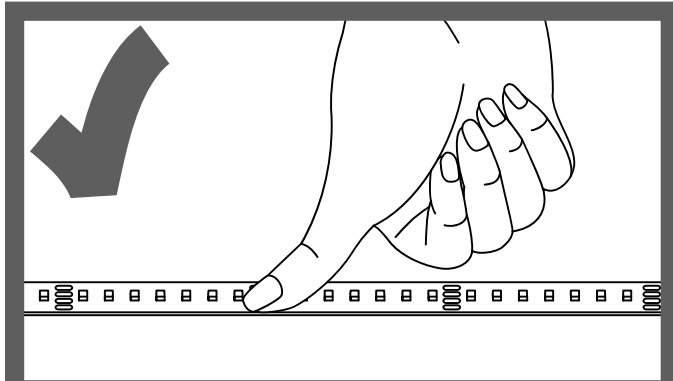
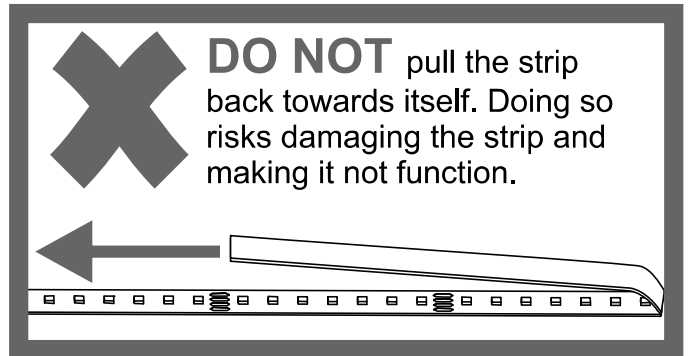
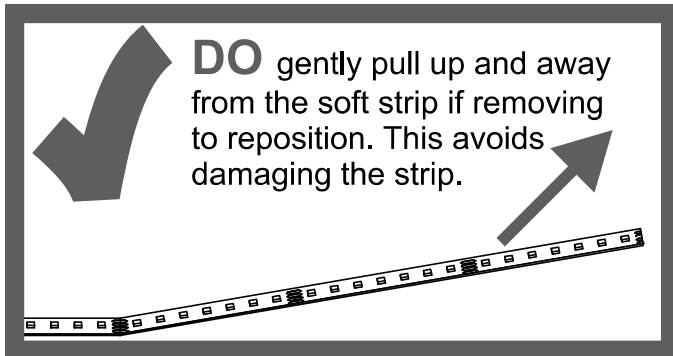
8b: For multiple channels, ensure that a mounting clip is in the center where the channels meet together.

NOTE: Follow the instructions provided with the power supply to power the light channel.

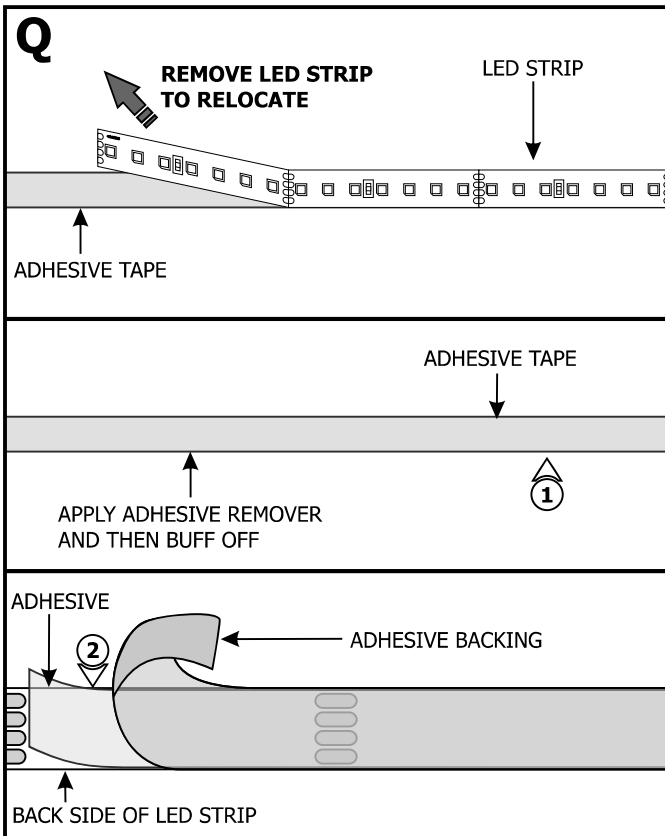
General Wiring Diagram



IMPORTANT INFORMATION REGARDING INSTALLATION AND REWORK OF SOFT STRIP LED



Relocating LED Strip (Optional)



NOTE: If relocating the installed LED strip, make sure that the adhesive tape on back of the LED strip covers the entire strip. The adhesive tape isolates the strip from the installation surface. Damaged or inconsistent adhesive tape may cause the contacts on the back of the strip to come in contact with the conductive heat sink which will cause the strip to short and burn. Call PureEdge Lighting to get replacement adhesive tape and/or optional aluminum heat sink tape (SS-HR-F).

- 1:** To remove tape residue from back of the strip, apply WD-40, Goo Gone, or a mixture of warm water and lemon oil to the corner of a clean, dry towel. Gently buff the area containing the adhesive residue until it is completely removed.
- 2:** Gently remove a few inches from one side of the tape backing. Attach the adhesive tape to the back of the LED strip and apply moderate pressure to affix the tape. Continue this step a few inches at a time until the entire adhesive tape is attached to the back of the LED strip.
- 3:** Refer to steps 6 through 8 in Section One to reinstall the LED strip.