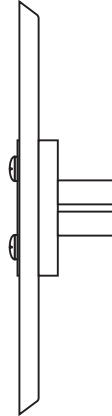


Installation Instructions for Monorail 4" Round Direct End Power Canopy

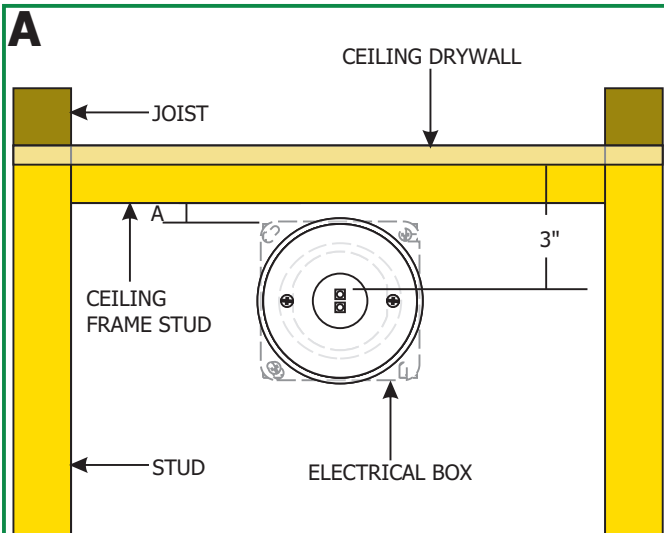
IMPORTANT INFORMATION

- This product is ETL listed for indoor dry locations.
- This product can be installed to a 4" electrical box with round plaster ring, or to an octagon electrical box.
- Minimum electrical box volume must be 6 cubic inches (98 cubic centimeters).
- This product should be installed by a qualified electrician.

SAVE THESE INSTRUCTIONS!



For New Construction

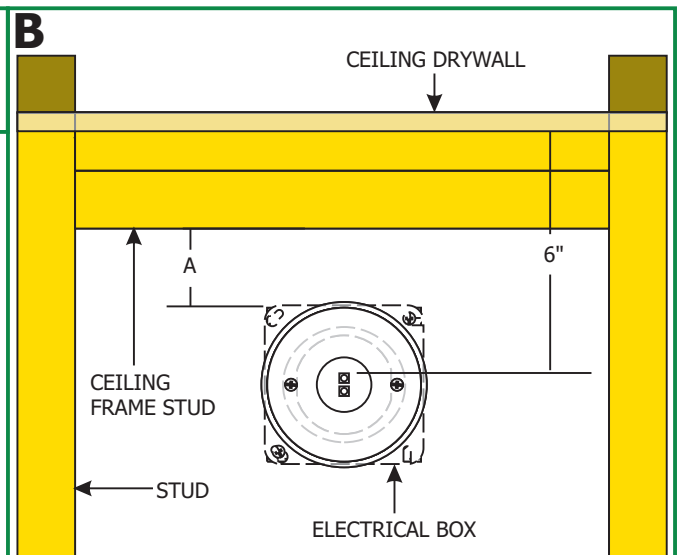


1: For Single Ceiling Frame Stud, use the Monorail 3" standoff to mount the Feed-End Power Canopy closest to the ceiling. Refer to the chart below to determine the 4" electrical box distance from the ceiling frame stud.

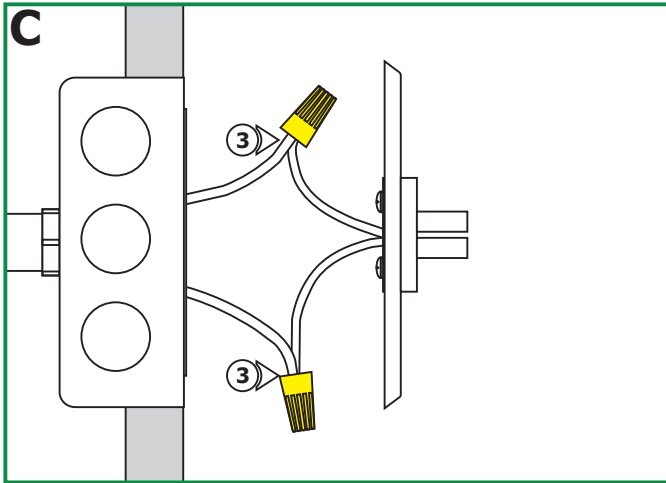
DRY WALL THICKNESS	A
1/2"	0.33"
5/8"	0.45"
3/4"	0.57"

2: For Double Ceiling Frame Stud, use the Monorail 6" standoff to mount the Feed-End Power Canopy closest to the ceiling. Refer to the chart below to determine the 4" electrical box distance from the ceiling frame stud.

DRY WALL THICKNESS	A
1/2"	1.79"
5/8"	1.92"
3/4"	2.04"



Install the Canopy



NOTE: Use the universal round crossbar (provided) if the electrical box holes are not spaced 2-3/4" apart.

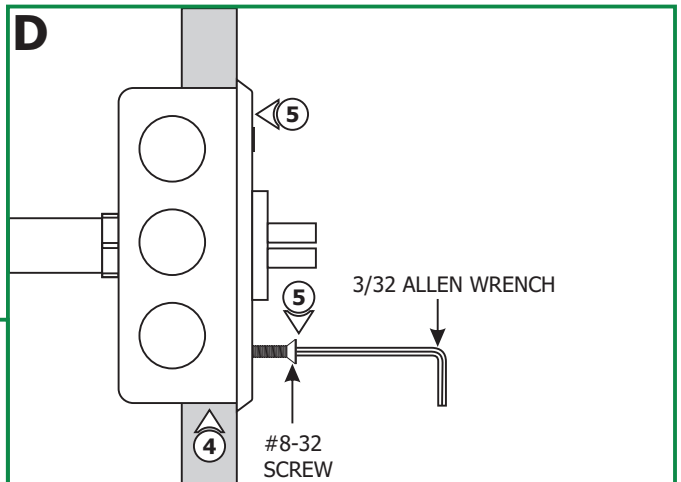
NOTE: The low voltage wires should be present in the electrical box. Refer to the instructions provided with the remote transformer to install the transformer and the low voltage wires before proceeding with the steps below.

2: Turn the power to electrical box off.

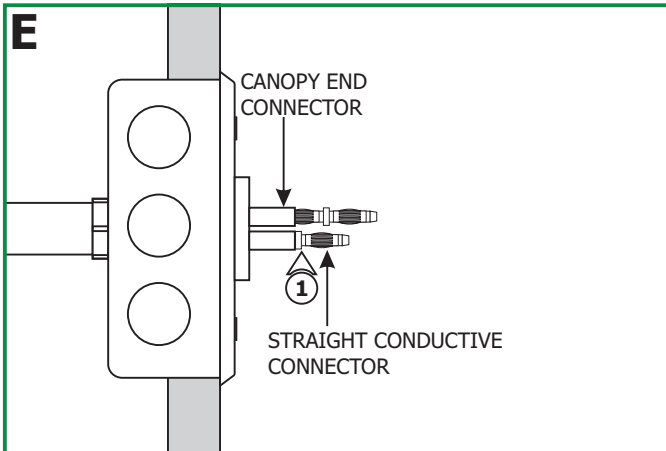
3: Connect each low voltage wire coming from the remote transformer to one power feed canopy wire with a wire nut.

4: Place all wires inside the electrical box.

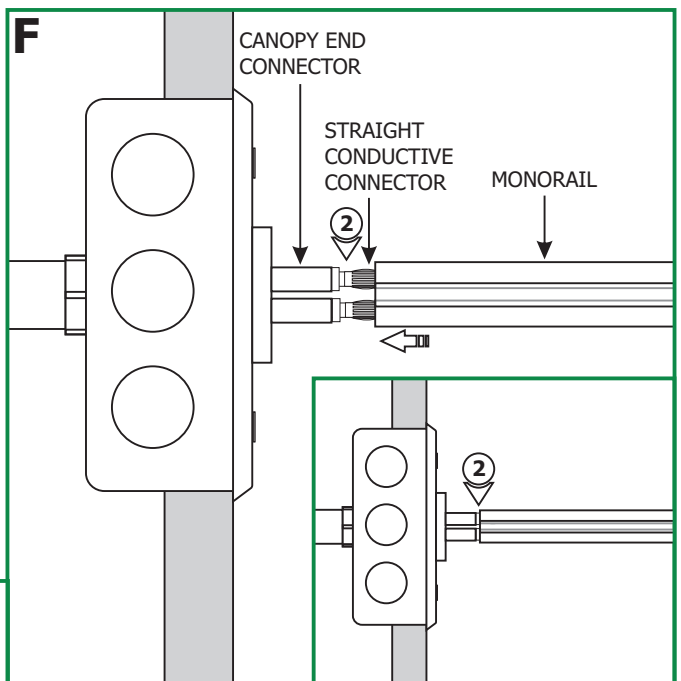
5: Secure the power feed canopy to the electrical box by tightening the two provided #8-32 screws with the 3/32 Allen wrench.



Install the Monorail to Power Feed Canopy



1: Push the straight conductive connectors into the canopy end connector.



2: Push a Monorail section entirely onto the straight conductive connectors. **Make sure that Monorail section is supported by Monorail standoffs.**