



1718 W. Fullerton Chicago, IL 60614
 Ph: 773.770.1195 • Fax: 773.935.5613
 www.PureEdgeLighting.com • info@PureEdgeLighting.com
 © 2016 PureEdge Lighting. All Rights Reserved.

Assembly Guide for Micro Track 48V Systems with Track Heads

IMPORTANT INFORMATION




- This product must be installed by a qualified electrician and in accordance with local electrical codes.
- Before beginning any electrical work, ensure that power is turned **OFF**.
- **DO NOT** install any luminaire assembly close to any curtain or similar combustible material.

- Only install luminaires identified with Pure Edge Lighting track systems.
- This instruction shows a typical installation.

SAVE THESE INSTRUCTIONS!

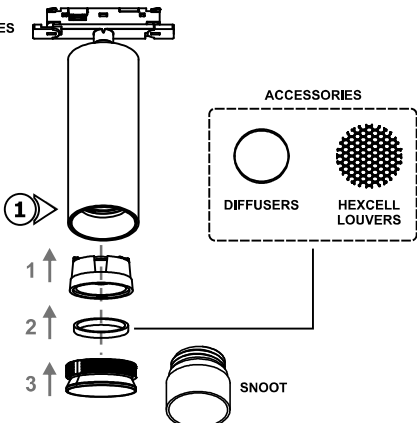
Assembly Guide

A

<p>MICRO TRACK CEILING CHANNEL SINGLE CIRCUIT</p>  <p>MTC48-1C-4FT-BK 8FT MW MTCC48-1C-12R-BK 20R MW</p>	<p>MICRO TRACK SUSPENSION CHANNEL SINGLE CIRCUIT</p>  <p>MTS48-1C-4FT-BK 8FT MTSC48-1C-12R-BK 20R</p>	<p>MICRO TRACK RECESSED CHANNEL SINGLE CIRCUIT</p>  <p>MTR48-1C-4FT-BK 8FT</p>
--	---	--

<p>MT48 FRAME 2 TRACK HEAD</p> <p>MT48-FRM2-15W-SPNF-24K-BK 27K MW 30K 30D 35K 40K</p>	<p>MT48 POP ZOOM TRACK HEAD</p> <p>MT48-POZ-15W-NSFL-24K-BK 27K MW 30K SB 30D SN 35K 40K</p>	<p>MT48 SLIM TRACK HEAD</p> <p>MT48-SLM-6W-NS-24K-BK SP 27K MW NF 30K SB FL 30D SN 35K 40K</p>
<p>MT48 PICO TRACK HEAD</p> <p>MT48-PCO-10W-VS-24K-BK NS 27K MW SP 30K SB NF 30D SN FL 35K 40K</p>	<p>MT48 POP TRACK HEAD</p> <p>MT48-POP-15W-VS-24K-BK NS 27K MW SP 30K SB NF 30D SN FL 35K 40K</p>	

COMPONENTS AND ACCESSORIES

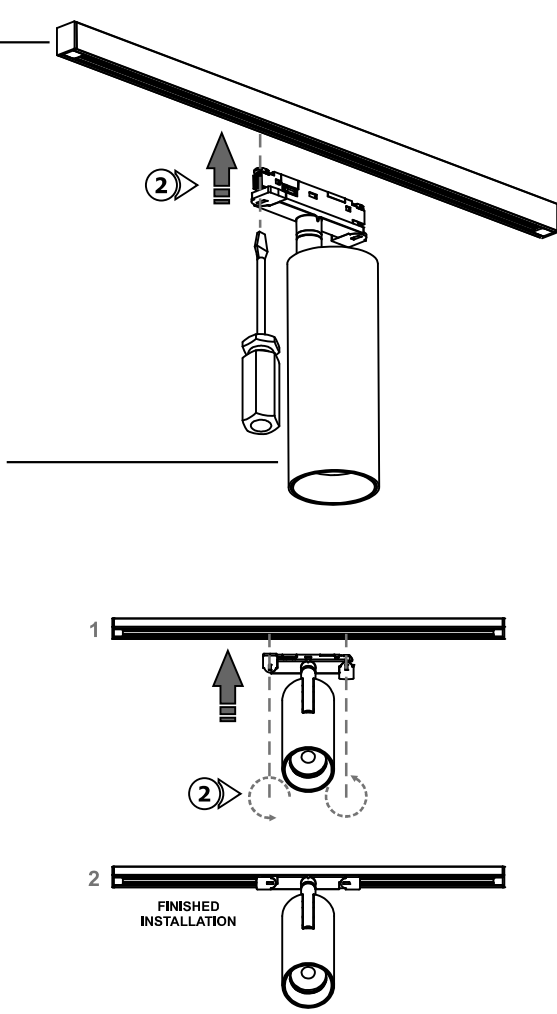


ACCESSORIES

DIFFUSERS HEXCELL LOUVERS

1 ↑
2 ↑
3 ↑

SNOOT



1 ↑




2 ↑

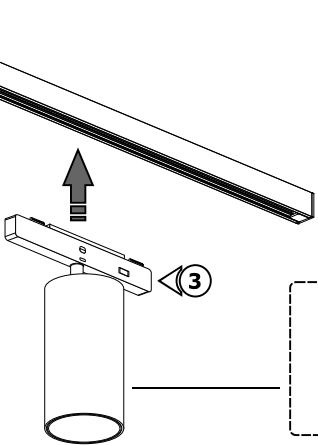
FINISHED INSTALLATION

1: If necessary, unscrew the lens holder or snoot. Replace the lens or replace the accessory. Place the accessory in front of the lens and screw the lens holder or snoot back into the fixture to secure in place.

2: Place the track head into the track. Tighten the slotted screws using a flat head screw driver to secure in place.

B

MICRO TRACK CEILING CHANNEL SINGLE CIRCUIT	MICRO TRACK SUSPENSION CHANNEL SINGLE CIRCUIT	MICRO TRACK RECESSED CHANNEL SINGLE CIRCUIT
		
MTC48-1C-4FT-BK 8FT MW MTCC48-1C-12R-BK 20R MW	MTS48-1C-4FT-BK 8FT MTSC48-1C-12R-BK 20R	MTR48-1C-4FT-BK 8FT



MT48 TEENY TRACK HEAD
MT48-TEE-6W-NS-24K-BK SP 27K MW NF 30K FL 30D 35K 40K

3: For the MT48 Teeny Track Head, push the track head into the track.