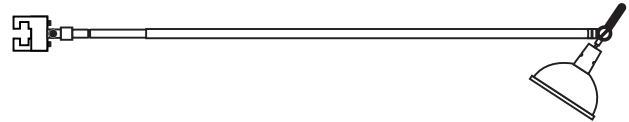


Installation Instructions for Monorail Wall Telie

IMPORTANT SAFETY INSTRUCTIONS

To reduce the risk of fire, electrical shock, exposure to excessive UV radiation, or injury to persons:

- Use this fixture indoors only.
- Do not look directly at the lamp while the fixture is on.
- **RISK OF FIRE:** Use only the type of lamp and maximum wattage indicated in this instruction manual.
- Never cover the halogen lamp with anything other than a lamp shield provided by Edge Lighting and never place flammable material close to the fixture.
- Never turn the fixture on and off by connecting and disconnecting the halogen lamp.
- Do not touch the fixture head, shade or lamp shield while the fixture is on. These surfaces may be **VERY HOT**.
- Do not touch lamp at anytime. Use a soft cloth. Oil from skin may damage lamp.
- It is normal for a new halogen lamp to produce minor smoke when first turned on.
- Do not operate the luminaire with a missing or damaged shield.
- Turn power off and allow to cool before replacing lamp.

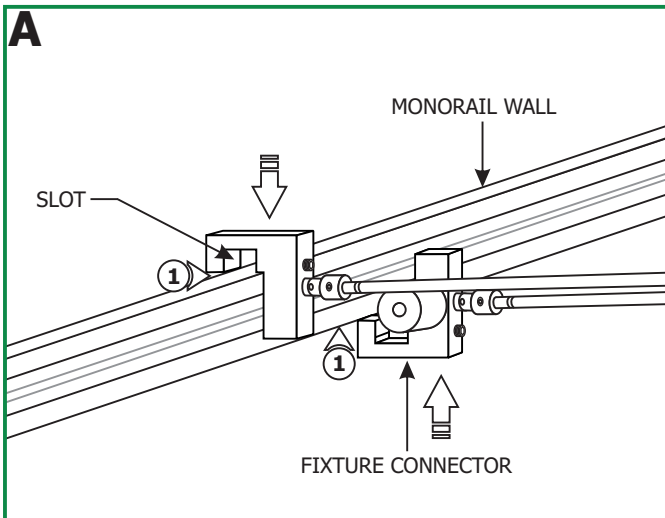


IMPORTANT INFORMATION

- This product is ETL listed for indoor dry locations.
- This product is not restricted to certain height installation. It is approved to be used at any height above the floor.
- Applicable accessories are Hexcell Louver, Glass Lenses, MR16 Snoot, Louver Lens Holder, Solid Back Shade (S6), and Perforated Back Shade (S7).

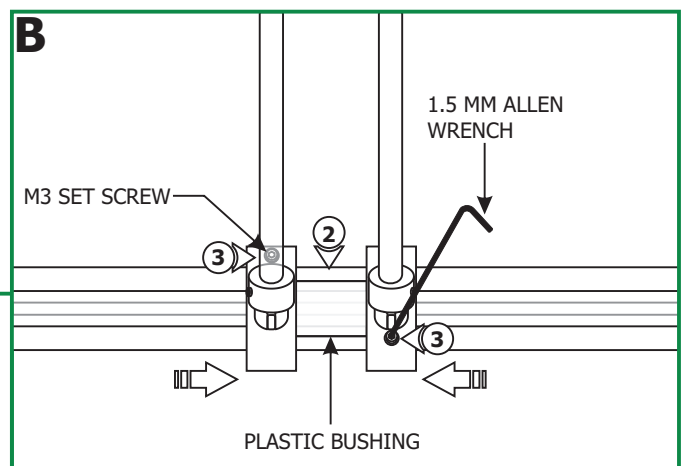
SAVE THESE INSTRUCTIONS!

Install the Fixture to Monorail Wall

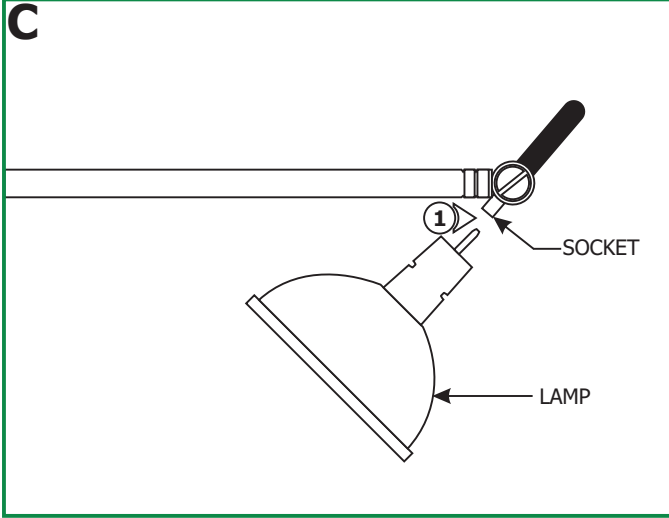


- 1:** Place one fixture connector slot from the top and the other one from the bottom onto the Monorail Wall.

- 2:** Slide the fixture connectors toward each other so that the plastic bushing between them keeps them apart.
- 3:** Tighten the M3 set screw on each fixture connector with the 1.5 MM Allen wrench provided.



Install the Lamp

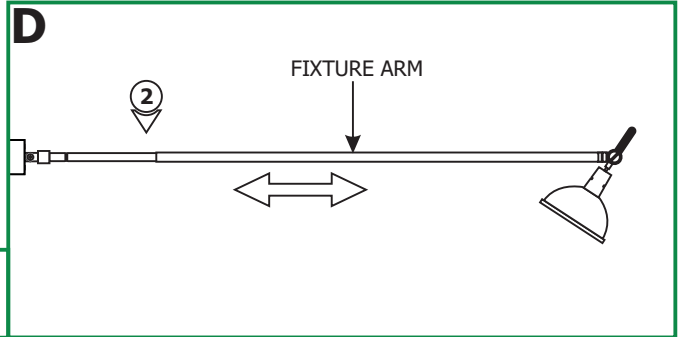


CAUTION: To reduce risk of a burn or electrical shock during lamping, disconnect the power to the fixture.

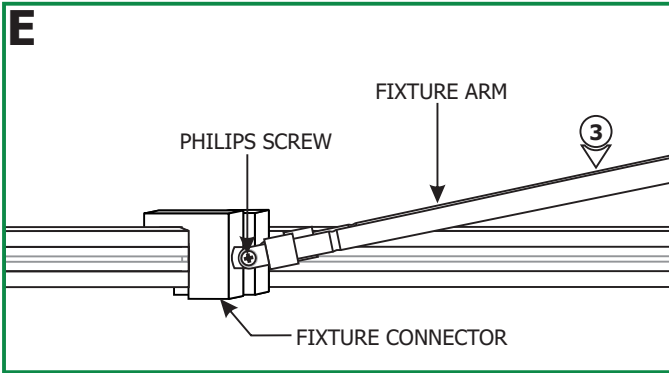
Use **MAX 75** Watt, Type MR16 Front Glass Cover Halogen Lamp.



1: Push the lamp pins completely into the socket holes.



2: Extend the fixture arms to the desired length.



3: Rotate the fixture arms to the desired position. If necessary tighten the Phillips screws on the fixture connector to hold the fixture in place.