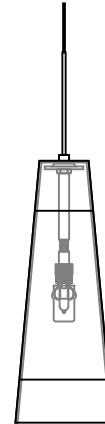


Installation Instructions for Tower of Love Satin

IMPORTANT SAFETY INSTRUCTIONS

To reduce the risk of fire, electrical shock, exposure to excessive UV radiation, or injury to persons:

- Use this fixture indoors only.
- Do not look directly at the lamp while the fixture is on.
- **RISK OF FIRE:** Use only the type of lamp and maximum wattage indicated in this instruction manual.
- Never cover the halogen lamp with anything other than a lamp shield provided by Edge Lighting and never place flammable material close to the fixture.
- Never turn the fixture on and off by connecting and disconnecting the halogen lamp.
- Do not touch the fixture head, shade or lamp shield while the fixture is on. These surfaces may be VERY HOT.
- Do not touch lamp at anytime. Use a soft cloth instead as oil from skin may damage lamp.
- It is normal for a new halogen lamp to produce minor smoke when first turned on.
- Do not operate the luminaire with a missing or damaged shield.
- Turn power off and allow to cool before replacing lamp.

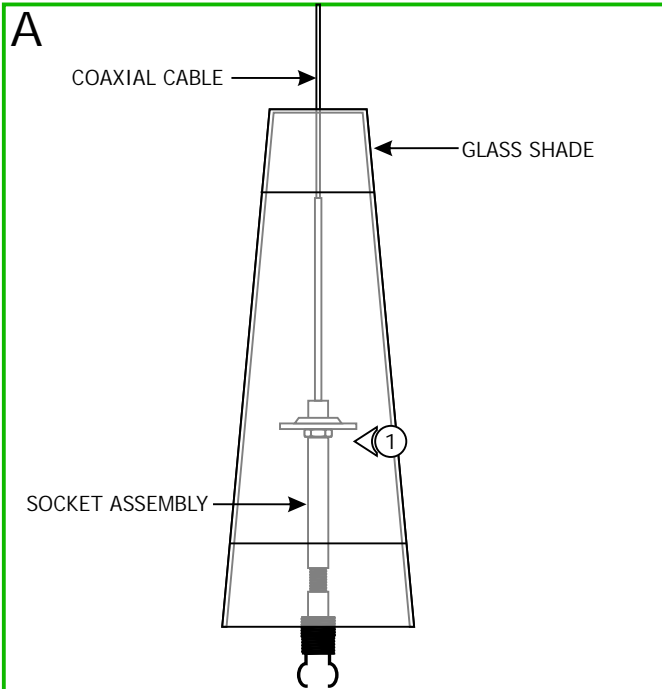


IMPORTANT INFORMATION

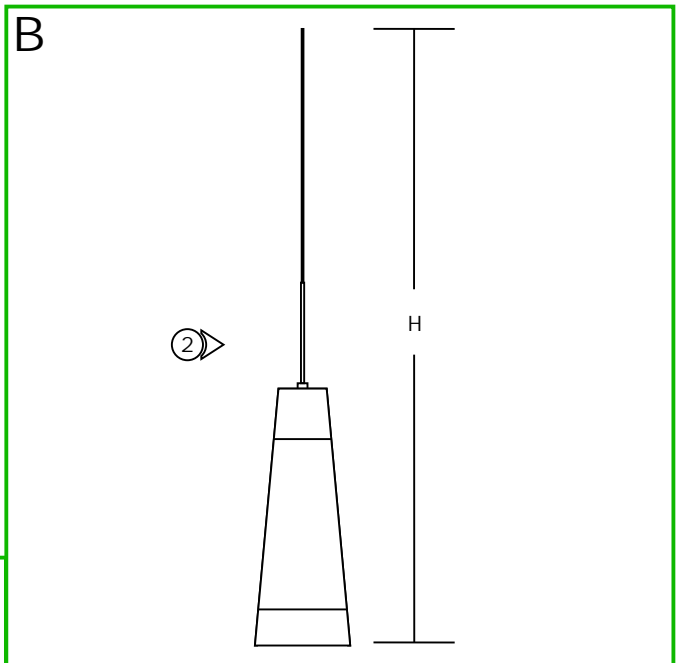
- This product is ETL listed for indoor dry locations and approved to be used at any height above the finished floor.

SAVE THESE INSTRUCTIONS!

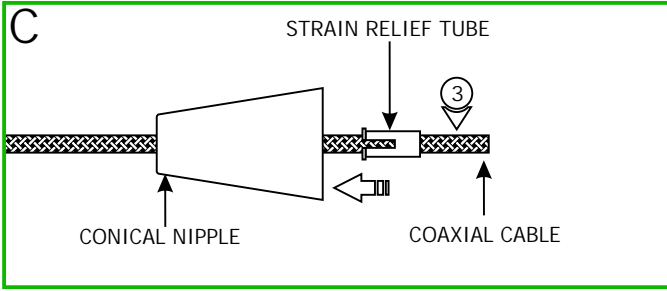
Adjust the Fixture Height



1: Feed the coaxial cable through the glass shade, and rest the glass shade over the socket assembly.

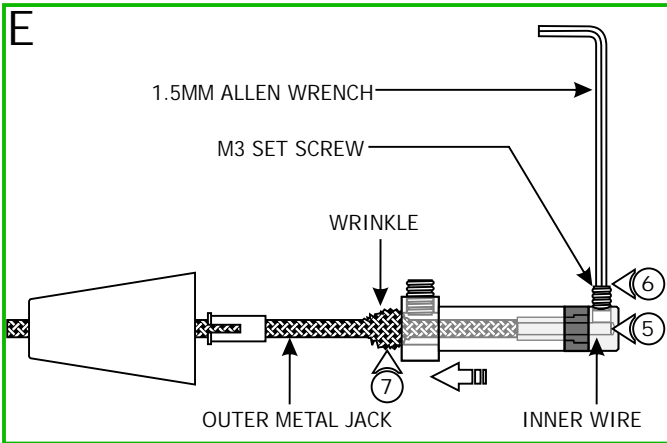
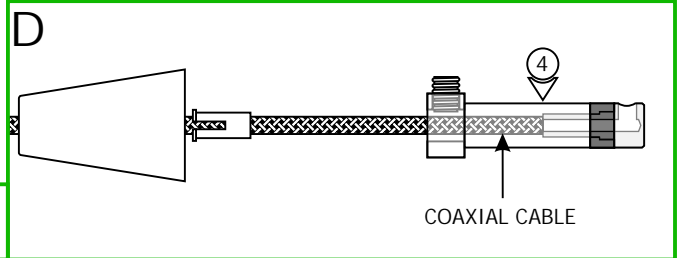


2: Cut the coaxial cable to the desired height (H) with a sharp cutter. The overall fixture height is measured from the bottom of the glass shade to the end of the coaxial cable.



3: Feed the coaxial cable through the conical nipple and flared side of the strain relief tube. Slide the conical nipple and strain relief tube down the coaxial cable.

4: Feed the coaxial cable into the coaxial fixture connector. The coaxial cable will come to a stop point.



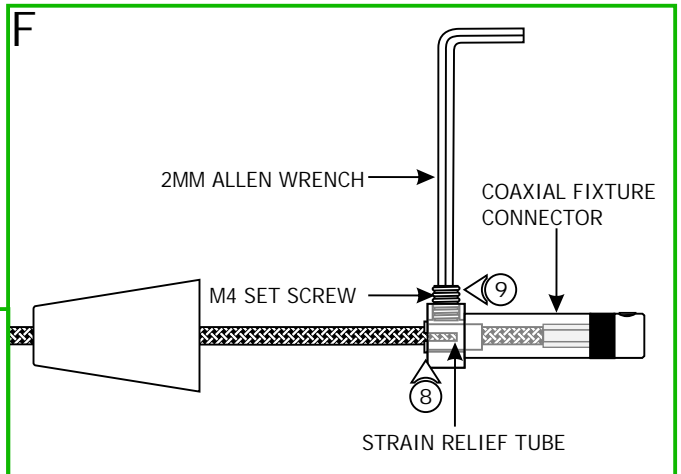
5: Keep feeding the coaxial cable in until the inner wire is visible in the screw hole of the fixture connector tip. The outer metal jacket will start to wrinkle.

6: Hold the fixture connector in place. Replace and tighten the M3 set screw on fixture connector tip with the 1.5mm Allen wrench.

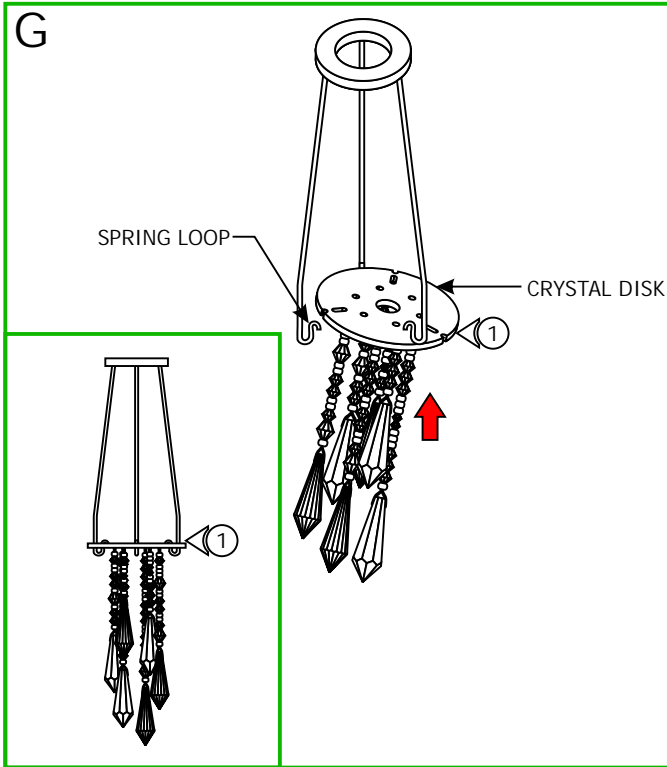
7: Pull down the outer metal jacket to smooth the wrinkles.

8: Push the strain relief tube completely into the coaxial fixture connector. Make sure the slot on the strain relief tube is not inline with the M4 set screw.

9: Tighten the M4 set screw with the 2mm Allen wrench.

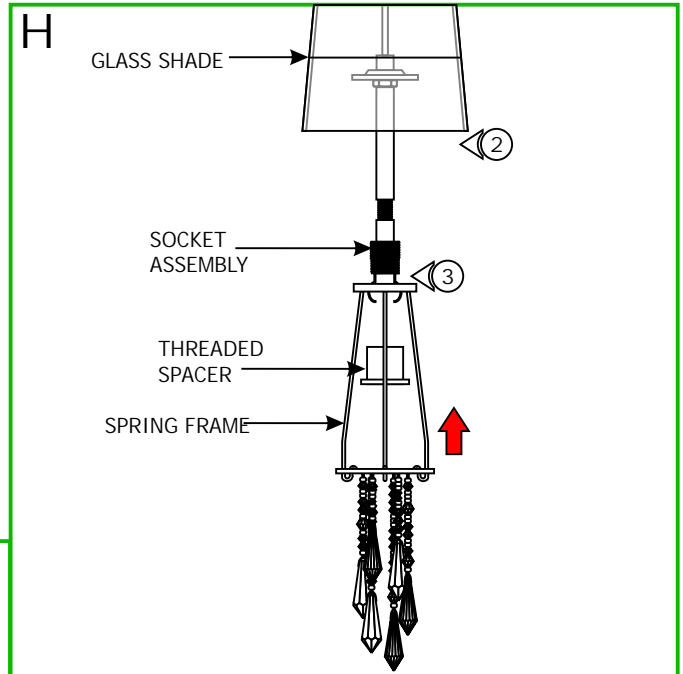


Install the Crystal Accessory (sold separately) & Lamp



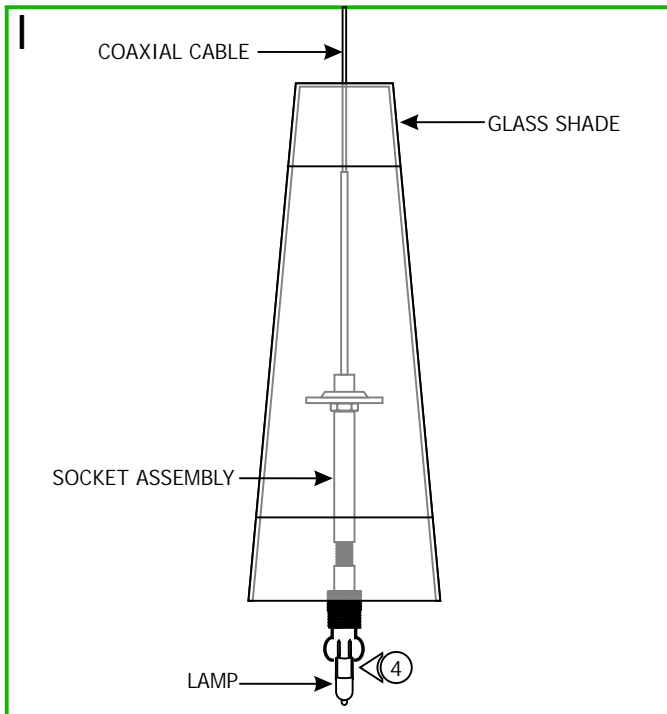
NOTE: Omit steps, 1 through 3 when no crystal accessory is used.

1: OPTIONAL: Carefully slide the crystal disk onto the spring loops.



2: Lift the glass shade up, to expose the socket assembly.

3: Slide the threaded spacer through the spring frame and tighten onto the socket assembly.



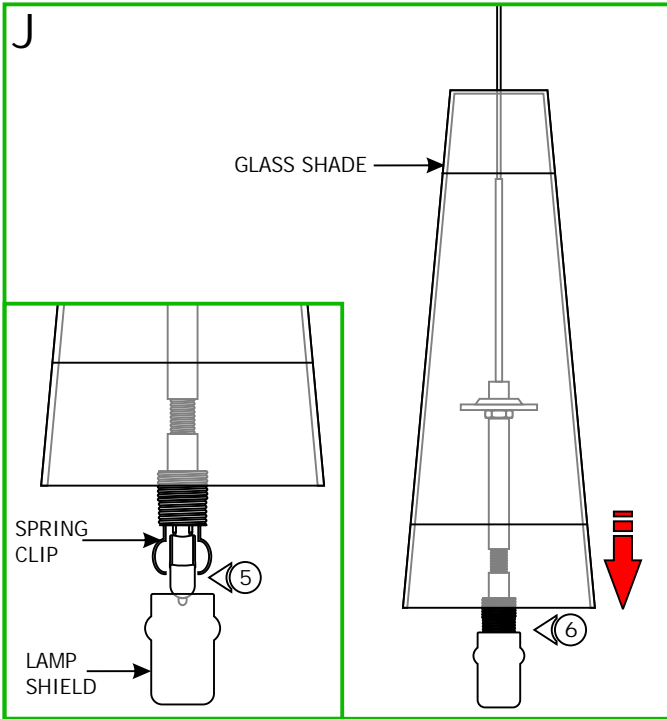
CAUTION: To reduce risk of a burn or electrical shock during lamping, disconnect the power to the fixture.

Use MAX 35 Watt, Type Bi-Pin Halogen Lamp.



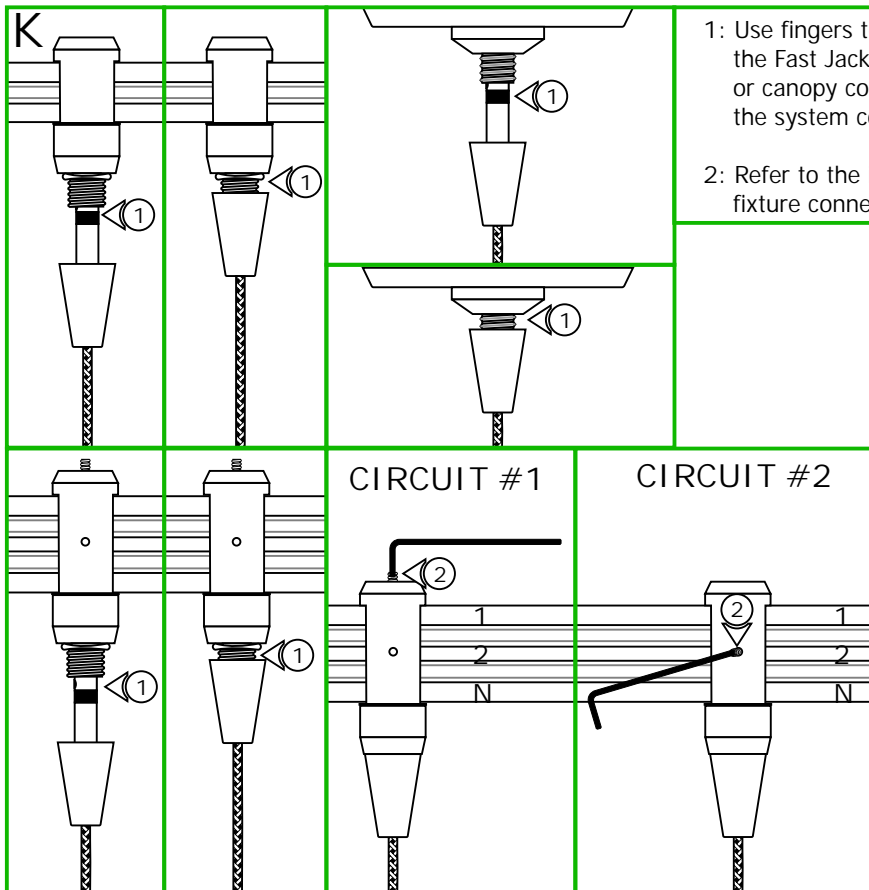
NOTE: Use a soft cloth and fingers to install the lamp.

4: Push the lamp pins completely into the socket holes..



- 5: Push the lamp shield into the spring clips.
- 6: Carefully lower the glass shade onto the socket assembly.

Install the Fixture to the System



- 1: Use fingers to tighten the Fast Jack fixture connector into the Fast Jack system connector (Monorail, Monorail 2 Circuit, or canopy connector - Refer to the instructions provided with the system connector or canopy).
- 2: Refer to the instructions provided with the Monorail 2 Circuit fixture connector to choose Circuit #1 or Circuit #2.