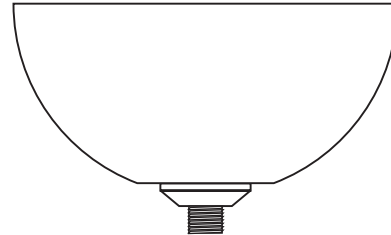


## Installation Instructions for **Fast Jack Power 4" Surface Mount Canopy**

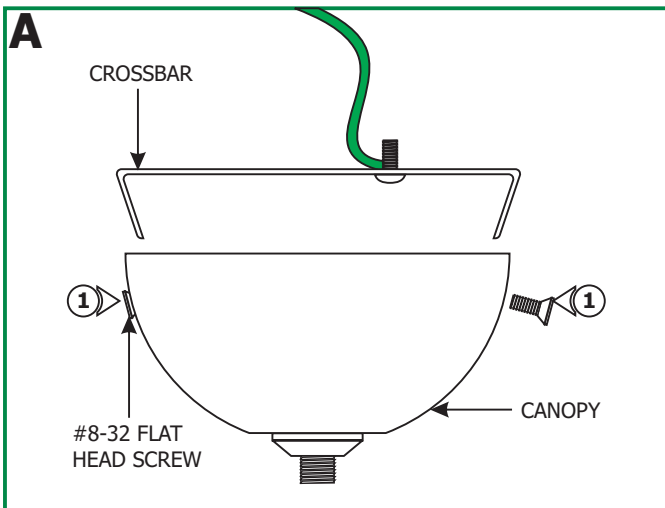
### IMPORTANT INFORMATION

- This product is ETL listed for indoor dry locations.
- This product is dimmable with a standard incandescent dimmer.
- This product can be installed to a 4" electrical box with round plaster ring, or to an octagon electrical box.
- Minimum electrical box volume must be 6 cubic inches (98 cubic centimeters).

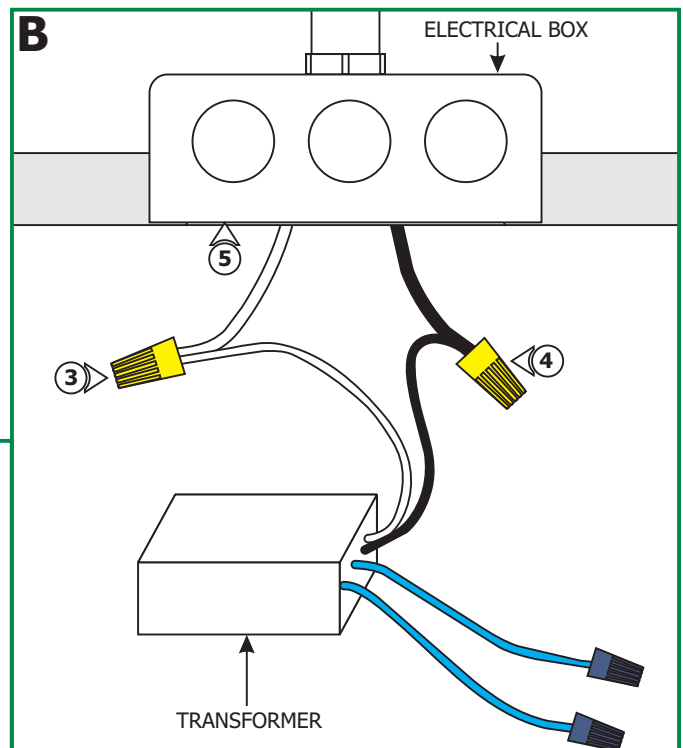
**SAVE THESE INSTRUCTIONS!**



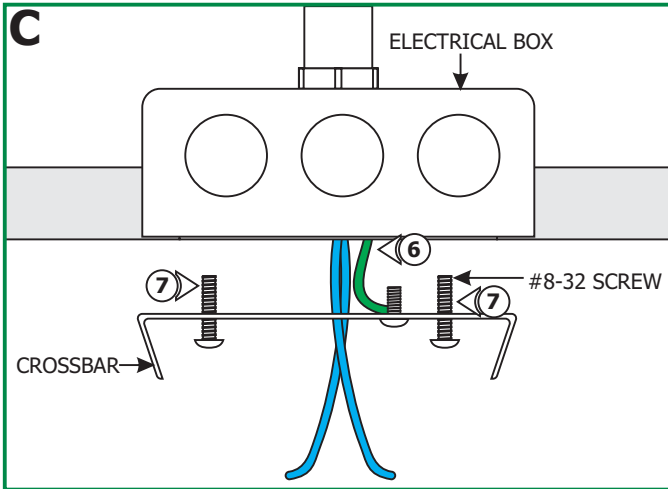
## Install the Canopy



**1:** Loosen and remove the two #8-32 flat head screws from the canopy to remove the crossbar.

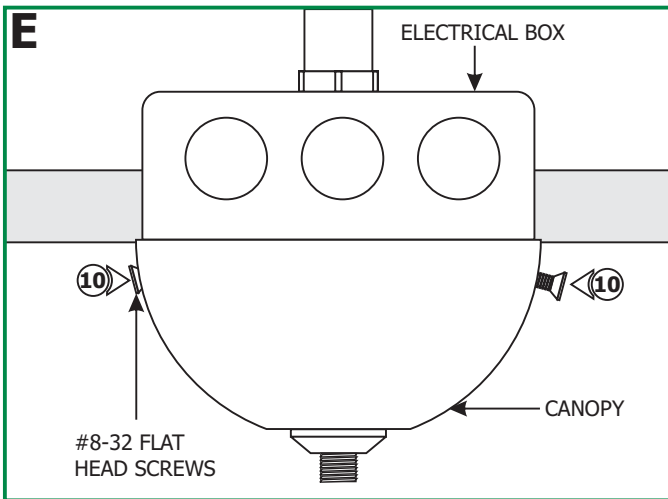
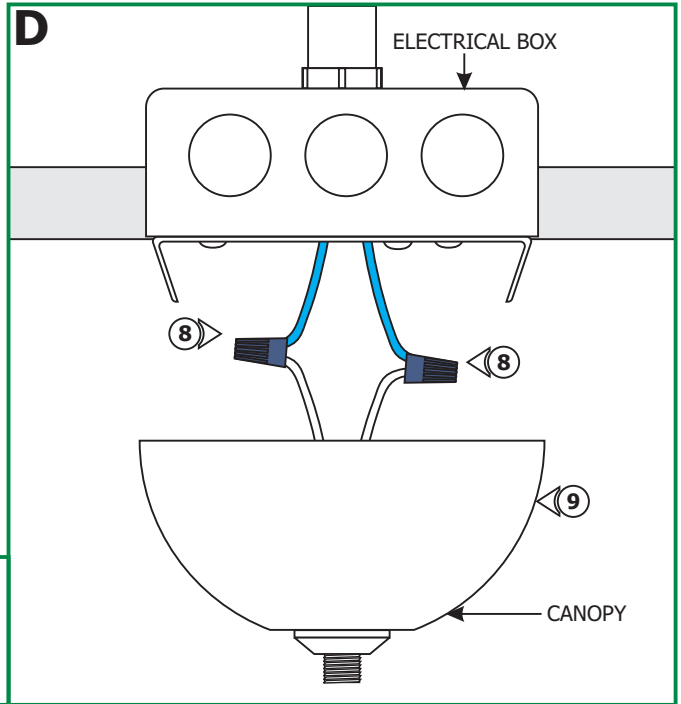


- 2:** Turn the power to electrical box off.
- 3:** Connect the white transformer wire to the neutral power wire with a wire nut.
- 4:** Connect the black transformer wire to the hot power wire with a wire nut.
- 5:** Place the transformer and transformer wires inside the electrical box.



- 6:** Make sure the crossbar is grounded in accordance with local electrical codes.
- 7:** Mount the crossbar to the electrical box with the two #8-32 screws provided.

- 8:** Connect each canopy wire to one transformer low voltage wire with a wire nut.
- 9:** Place all wires inside the canopy.



- 10:** Align and secure the canopy to the crossbar by tightening the two provided #8-32 flat head screws.

**CAUTION: Risk of Fire: MAX** load of Fast Jack canopy is 75 watt.

- 11:** Use fingers to tighten the Fast Jack fixture connector into the Fast Jack canopy connector.

