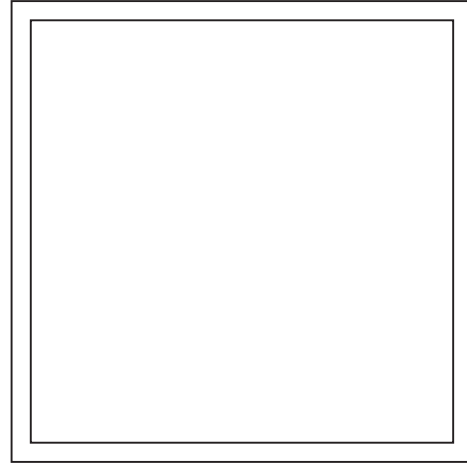


Installation Instructions for Garbo Ceiling

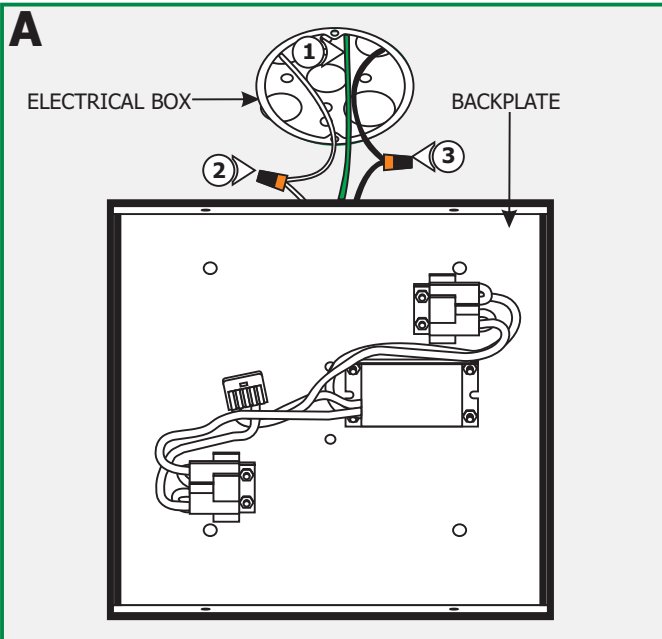
IMPORTANT INFORMATION

- This product is ETL listed for indoor dry locations.
- This product can also be wall mounted.
- This product can mount to either a 4" square electrical box with round plaster ring or an octagon electrical box.
- This instruction shows a typical installation of Garbo Ceiling Fixture.

SAVE THESE INSTRUCTIONS!



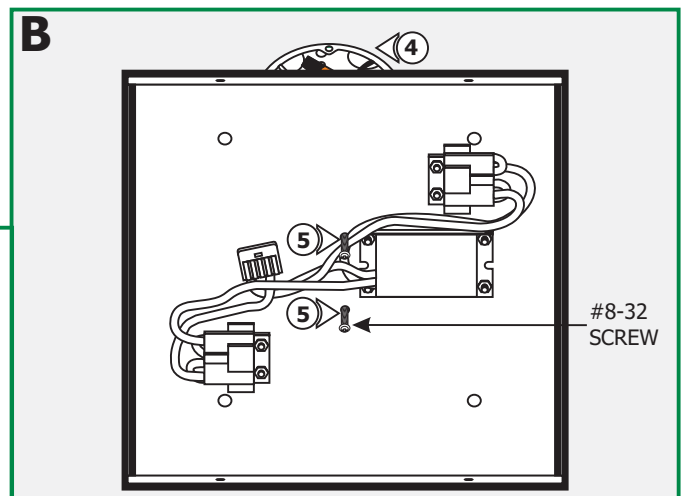
Install the Fixture



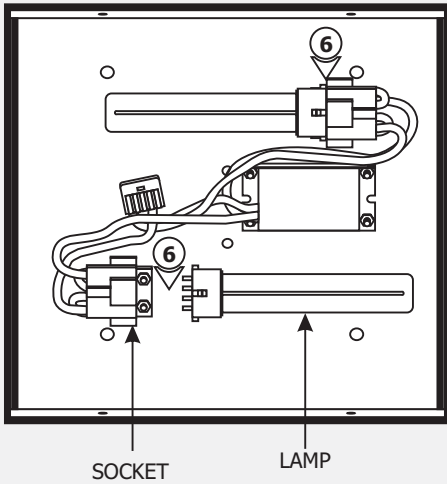
- 1:** Make sure the backplate is grounded in accordance with local electrical codes.
- 2:** Connect the white fixture wire to the neutral power wire with a wire nut.
- 3:** Connect the black fixture wire to the hot power wire with a wire nut.

NOTE: Use the provided universal crossbar if the canopy holes do not line up with the electrical box holes.

- 4:** Place all wire and wire nut connections inside electrical box.
- 5:** Mount the backplate to the electrical box holes with the two #8-32 screws provided.



C



CAUTION: To reduce risk of a burn or electrical shock during lamping, disconnect the power to the fixture.

Use **MAX 9** Watt Type 2G7 Base Compact Fluorescent Lamp For Each Socket.



6: Push the lamp pins completely into the socket holes.

7: Align and slide the shade holes to the backplate holes and secure it in place by tightening the four phillips screws provided.

D

