

Installation Instructions for Monorail 2 Circuit Adjustable Standoff

IMPORTANT INFORMATION

- This product is ETL listed for indoor dry locations.
- The product is intended to be used with Edge Lighting Monorail 2 Circuit systems only.
- Use Monorail standoffs where the Monorail 2 Circuit sections join together and approximately every 3 feet throughout the Monorail 2 Circuit run.

SAVE THESE INSTRUCTIONS!

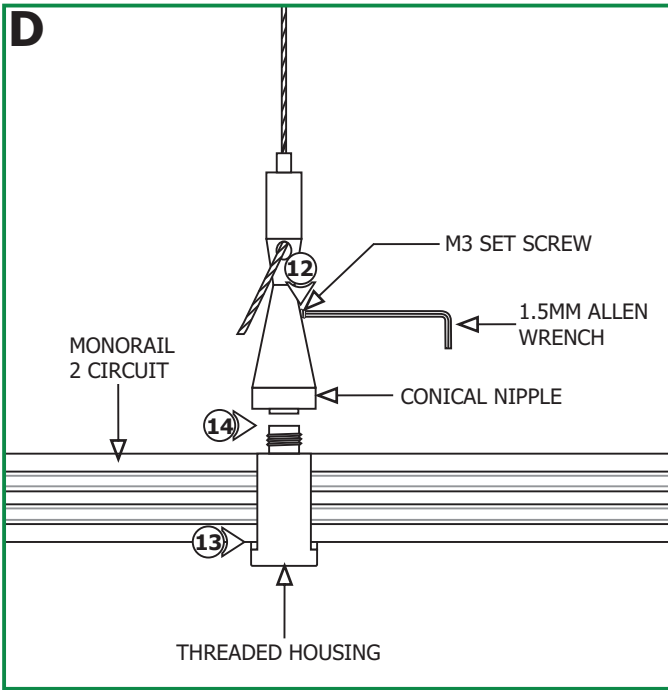


Install the Standoff

A		<ol style="list-style-type: none"> 1: Hold the Monorail 2 Circuit section against the ceiling or use a plumb bob to mark the standoff locations onto the ceiling (this may require more than one person). 2: Tap the anchors onto the marked locations up to the threaded portion with a hammer. 3: Screw in the threaded portion of the anchors with a Phillips screwdriver.
----------	--	--

<ol style="list-style-type: none"> 4: Feed the #8 screw through the countersunk side of the threaded nipple and washer. Make sure the side of the washer with deeper countersunk is facing the anchor. 5: Tighten the #8 screw completely into the anchor. 6: Tighten the threaded post completely onto the threaded nipple. 7: Repeat steps 4 through 6 for the remaining standoffs. 	<table border="1"> <tr> <td style="width: 50%;">B</td> <td style="width: 50%;"> </td> </tr> </table>	B	
B			

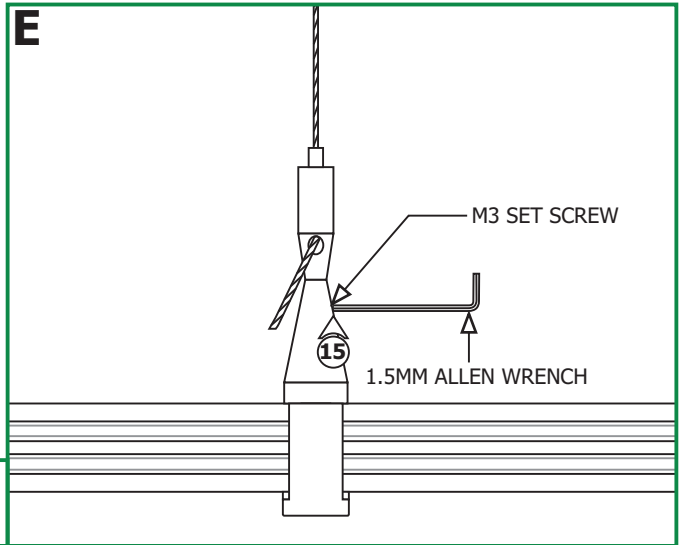
<table border="1"> <tr> <td style="width: 50%;">C</td> <td style="width: 50%;"> </td> </tr> </table>	C		<ol style="list-style-type: none"> 8: Remove the threaded housings from the conical nipples. 9: Push the tab on the adjustable connector and feed the aircraft cable through the top of the tab. 10: Pull the aircraft cable coming out of the side of the adjustable connector. Release the tab to lock the adjustable connector in place. 11: Repeat steps 9 and 10 for the remaining standoffs.
C			



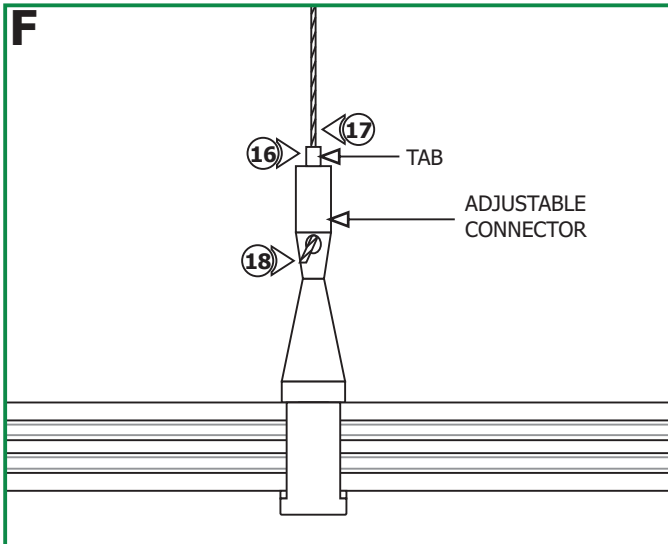
12: Slightly loosen the M3 set screw on the conical nipple of each of the standoffs with the 1.5mm Allen wrench so that the conical nipples can rotate easily.

13: Place the Monorail into the threaded housings (this may require more than one person).

14: Tighten the threaded housings to the conical nipples (this may require more than one person). **Make sure threaded housings are not cross threaded.**



15: Tighten the M3 set screw on the conical nipples with the 1.5mm Allen wrench.



16: To adjust the standoff height, hold the end of the aircraft cable while pushing the tab on the adjustable connector down and sliding the standoff up or down.

17: When desired height is achieved release the tab to lock the adjustable standoff in place.

18: Trim off excess aircraft cable coming out of the adjustable connector side hole for a neat finished look.

19: Repeat step 16 through 18 for the remaining standoffs.