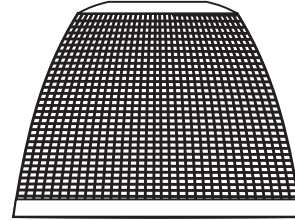


## Installation Instructions for Little Mesh Back Shade MR16

### IMPORTANT INFORMATION

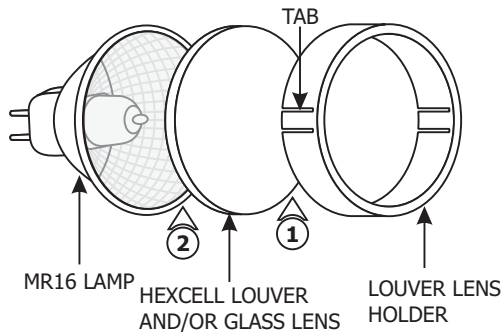
- This product is ETL listed for indoor dry locations.

**SAVE THESE INSTRUCTIONS!**



### Install the Accessory Shade

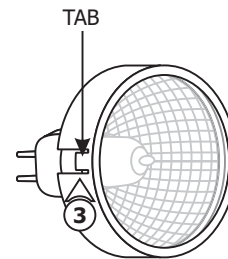
**A**



**1:** Place a Hexcell louver (Optional) or a glass lens (Optional) or a combination of a hexcell louver and glass lens into the louver lens holder.

**2:** Place the MR16 lamp into the louver lens holder.

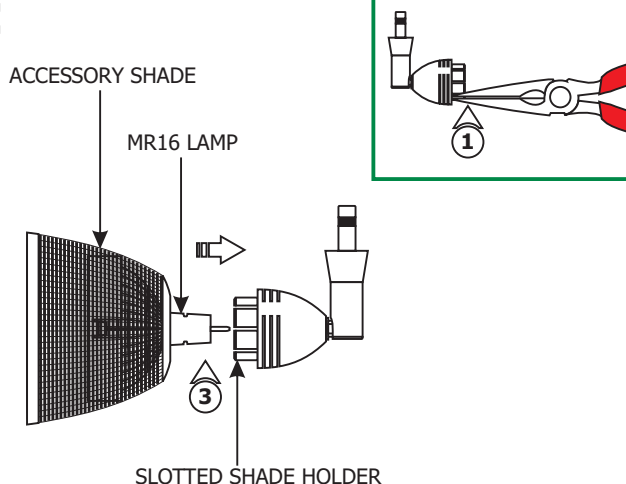
**B**



**3:** Press the tabs on sides of the snap lens holder against the MR16 lamp to keep it in the position.

### Install the Accessory Shade in Low Rider type Fixtures

**C**

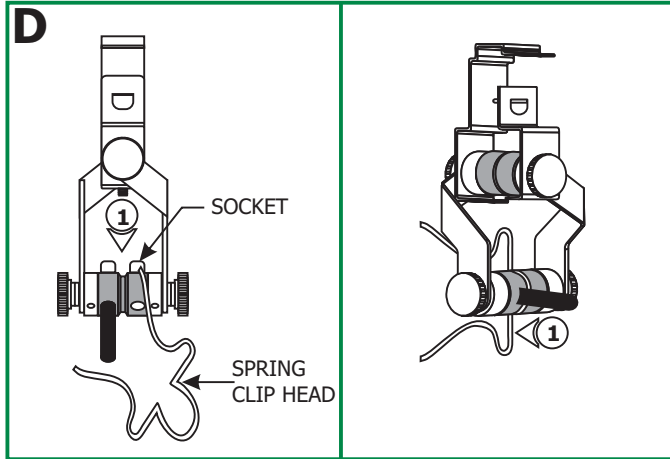


**1:** Place the MR16 lamp into the accessory shade and line up the MR16 lamp pins with the socket holes.

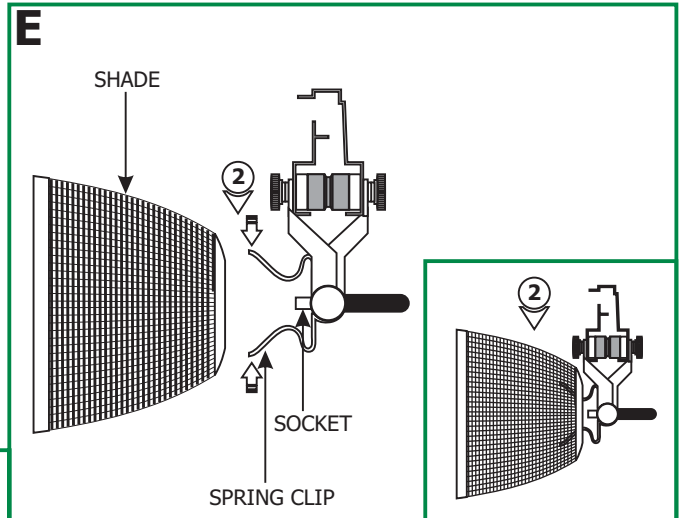
**2:** Push the lamp pins completely into the socket holes and simultaneously push the accessory shade onto the slotted shade holder.

**3:** The accessory shade must fit snugly onto the slotted shade holder. If adjustment is necessary, carefully bend the slotted shade holder tabs slightly in or out with needle-nose pliers.

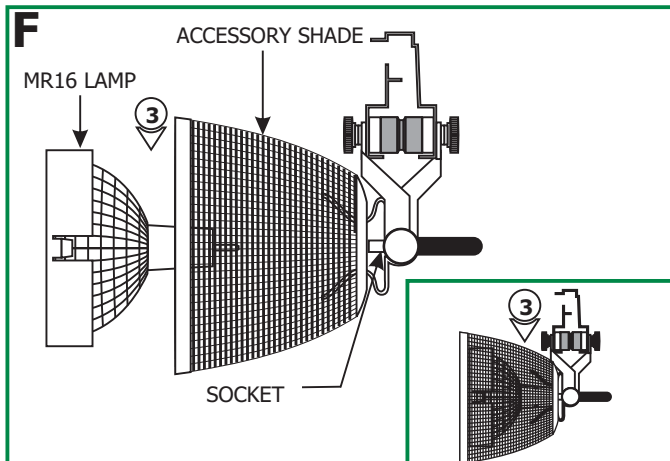
# Install the Accessory shade in Vespa type MR16 Sockets



**1:** Push the spring clip completely onto the center of the socket groove until it snaps into place.



**2:** Squeeze the spring clip ends while inserting it into the shade.



**3:** Place the MR16 lamp into the accessory shade and line up the MR16 lamp pins with the socket holes. Push the lamp pins completely into the socket holes.