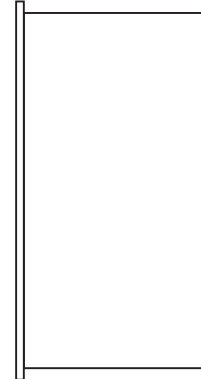


Installation Instructions for **MR16 Snoot Accessory**

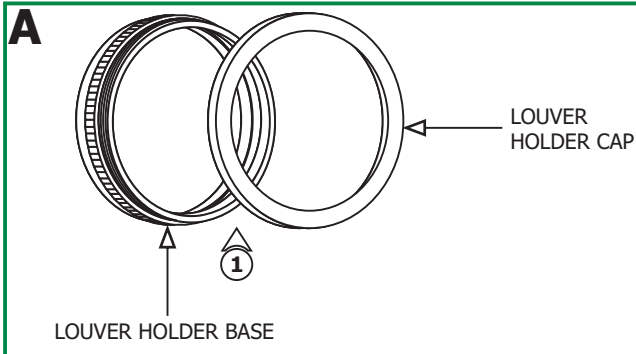
IMPORTANT INFORMATION

- This product is ETL listed for indoor dry locations.
- This product should be used with Edge Lighting louver holder lens holder (LH16).

SAVE THESE INSTRUCTIONS!

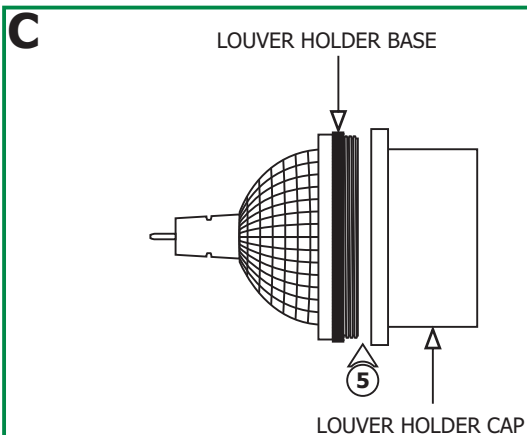
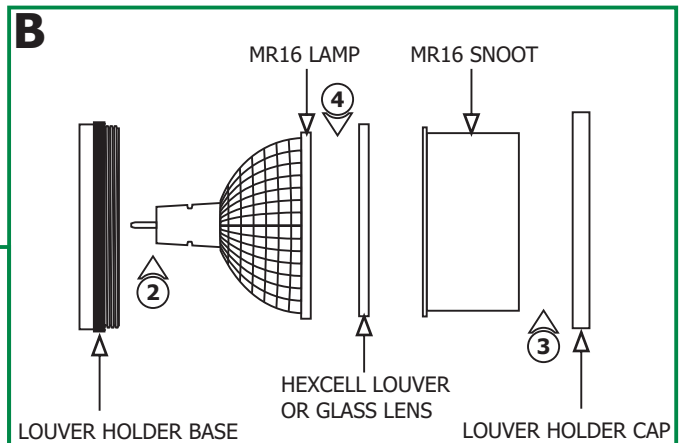


Install the Accessory Shade



- 1:** Unscrew and remove the louver holder cap from the louver holder base.

- 2:** Place the MR16 lamp into the louver holder base.
- 3:** Place the MR16 snoot into the louver holder cap.
- 4:** Place the hexcell louver or glass lens (optional) on front of the MR16 lamp.



- 5:** Tighten the louver holder cap to louver holder base.