



1718 W. Fullerton Chicago, IL 60614
 Ph: 773.770.1195 • Fax: 773.935.5613
 www.PureEdgeLighting.com • info@PureEdgeLighting.com
 © 2016 PureEdge Lighting. All Rights Reserved.

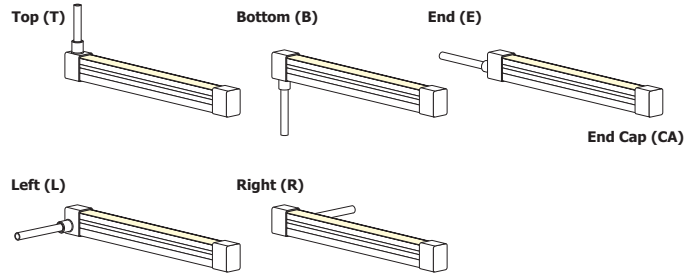
Installation Instructions for Flex Neon LRF5 24VDC Outdoor Wet Location, Tunable White

FN-LRF5-__

IMPORTANT INFORMATION

- This instruction shows a typical installation.
- The Outdoor Flex Neon is an IP67 rated wet location fixture featuring water tight barrel connections.
- This product bends right to left or left to right.

SAVE THESE INSTRUCTIONS!



Section One: Install the Flex Neon

A SURFACE

NOTE: Omit this Section if using the Flexible Aluminum Channel. Refer to Section Three.

1: Determine the location for the Flex Neon.

2: Mark the location of the mounting clips. Mounting clips must be maximum 12" apart from each other (measure from the center of the mounting clip).

3: Secure the mounting clips to a wood surface by tightening the screws to each clip.

B

SURFACE

C

FLEX NEON

LEFT RIGHT

4: If necessary, bend the Flex Neon **ONLY** right to left or left to right.

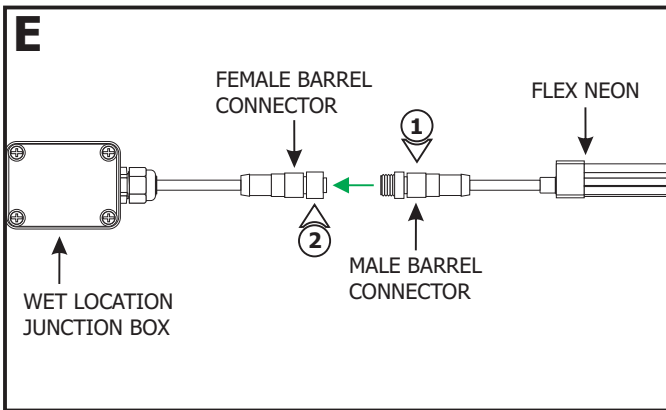
5: Insert the Flex Neon into each mounting clip.

D

FLEX NEON

MOUNTING CLIP

Section Two: Connect to Power



NOTE: Outdoor electrical connections must be made inside a waterproof junction box or using waterproof wire nut connections.

NOTE: Steps 1 and 2 are for the Wet Location Junction Box with Power Cable.

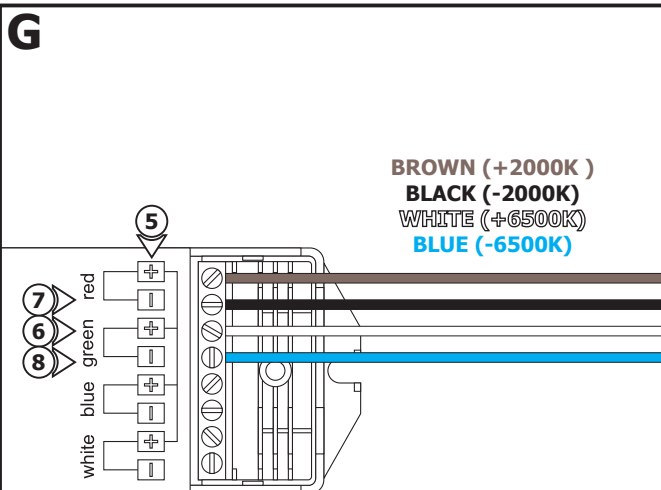
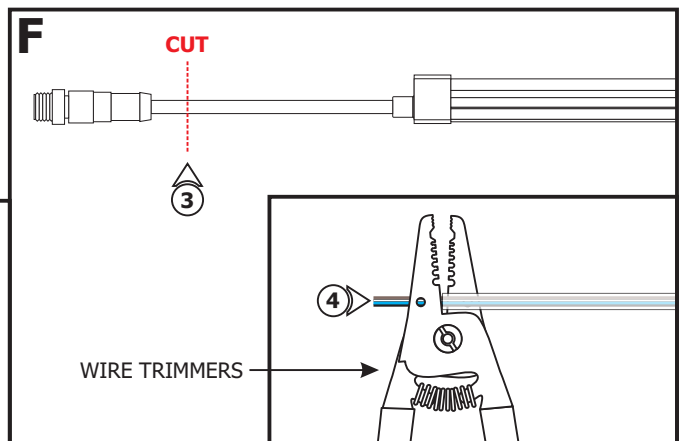
1: Align and push the male barrel connector of the Flex Neon into the female barrel connector going to the power supply.

2: Twist the connector nut to lock in place.

NOTE: Omit steps 3 through 15 if using wet location junction box.

3: Cut the end of the power cord that is going to be connected to power and discard the unused connector.

4: Use AWG wire trimmers to remove the outer insulation from wire harness where electrical connection will be made.



NOTE: The color of the power cord wires are represented as:
Brown for +24VDC (2000K)
Black for -24VDC (2000K)
White for +24VDC (6500K)
Blue for -24VDC (6500K)

NOTE: Omit steps 5 through 9 if using two channel controls. Refer to steps 10 through 15.

Tunable White with DMX Control:

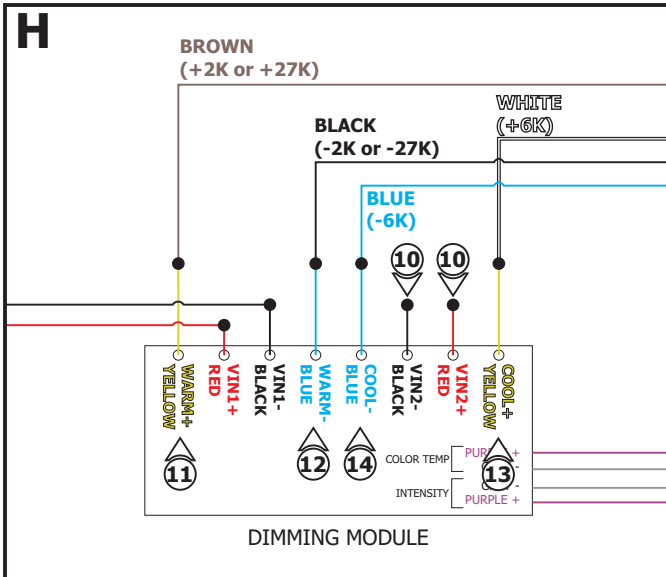
5: Connect the brown wire to the red "+" DMX terminal and tighten the screw.

6: Connect the white wire to the green "+" DMX terminal and tighten the screw.

7: Connect the black wire to the red "-" DMX terminal and tighten the screw.

8: Connect the blue wire to the green "-" DMX terminal and tighten the screw.

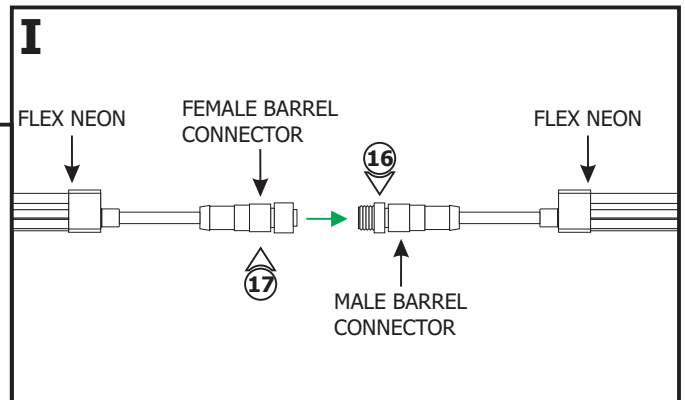
9: Refer to the wiring diagram on page 6 and the instructions provided with the power supply to complete the installation.



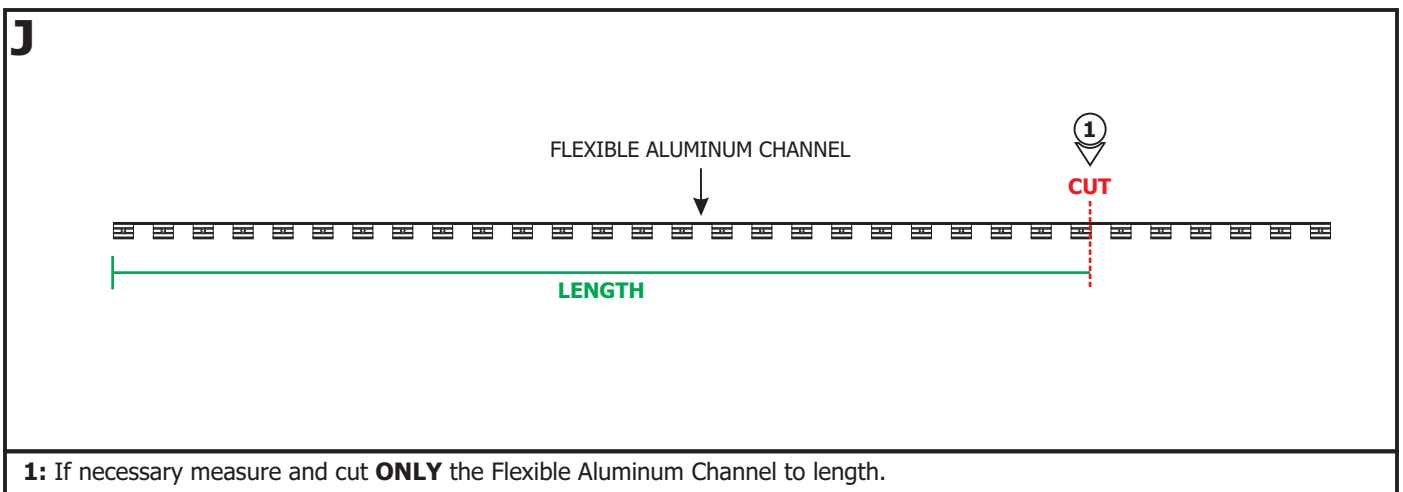
Tunable White Strip with Two Channel Controls:

- 10:** The Vin2+ Red and Vin2- Black wires are not used in this procedure. Cap the Vin2+ Red and Vin2- Black wires using wire nuts.
- 11:** Connect the brown wire for +2000K or +2700K to the Warm+ Yellow dimming module wire using a wire nut.
- 12:** Connect the black wire for -2000K or -2700K to the Warm- Blue dimming module wire using a wire nut.
- 13:** Connect the white wire for +6500K to the Cool+ Yellow dimming module wire using a wire nut.
- 14:** Connect the blue wire for -6500K to the Cool- Blue dimming module wire using a wire nut.
- 15:** Refer to the wiring diagram on page 7 and the instructions provided with the power supply to complete the installation.

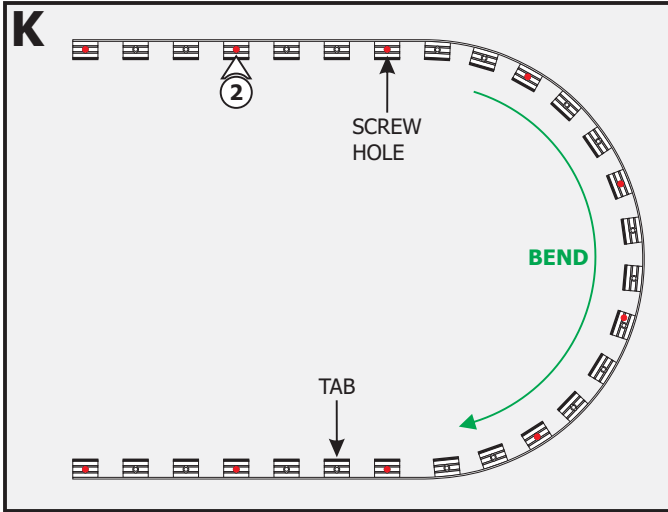
- 16:** To connect additional Flex Neon, align and push the female barrel connector of one Flex Neon into the male barrel connector of the next one.
 - 17:** Twist the connector nut to lock in place. Repeat for any additional sections.
- NOTE:** Ensure that additional Flex Neon are properly supported and powered.



Section Three: Install the Flex Neon with Flexible Aluminum Channel



- 1:** If necessary measure and cut **ONLY** the Flexible Aluminum Channel to length.



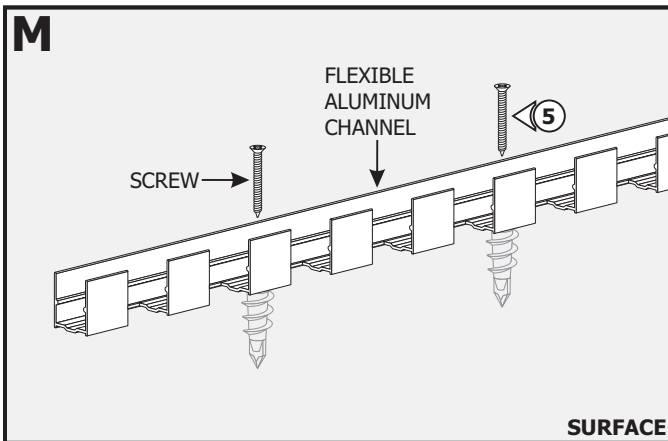
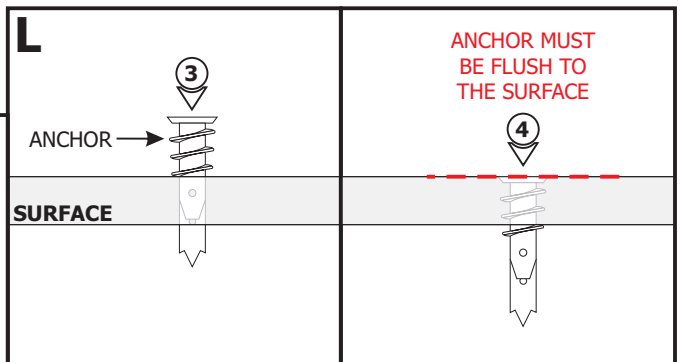
2: Determine the location of the Flexible Aluminum Channel and mark every fourth tab screw holes.

NOTE: The Flexible Aluminum channel bends in both directions. For simple curves or circles, it is recommended to bend the channel toward the tabs.

NOTE: Step 3 and 4 are for drywall mounting. Omit these steps if mounting to a wood surface directly.

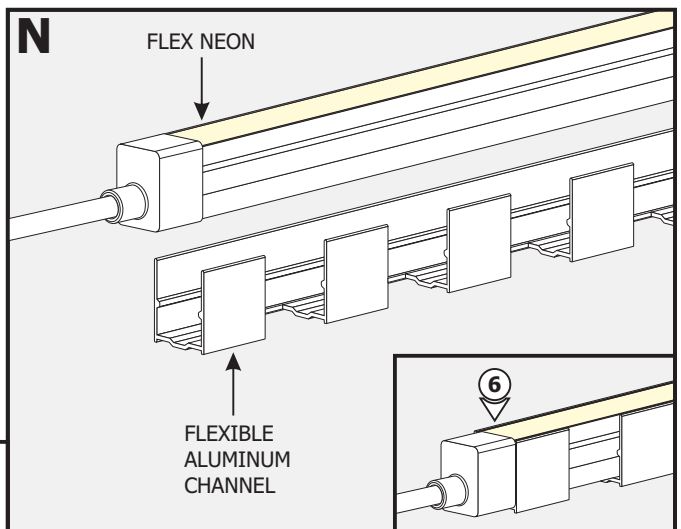
3: Anchors are not provided. Tap the anchors onto the marked points up to the threaded portion with a hammer.

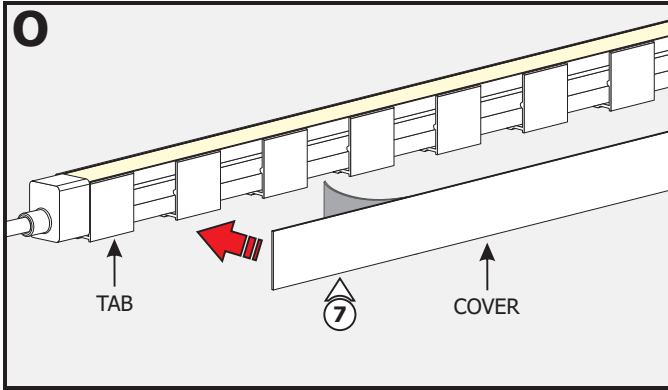
4: Screw in the threaded portion of the anchors with a Phillips screwdriver.



5: Secure the Flexible Aluminum Channel to the anchors using screws.

6: Carefully push the Flex Neon completely inside the Flexible Aluminum Channel, leaving the end cap outside of the channel.

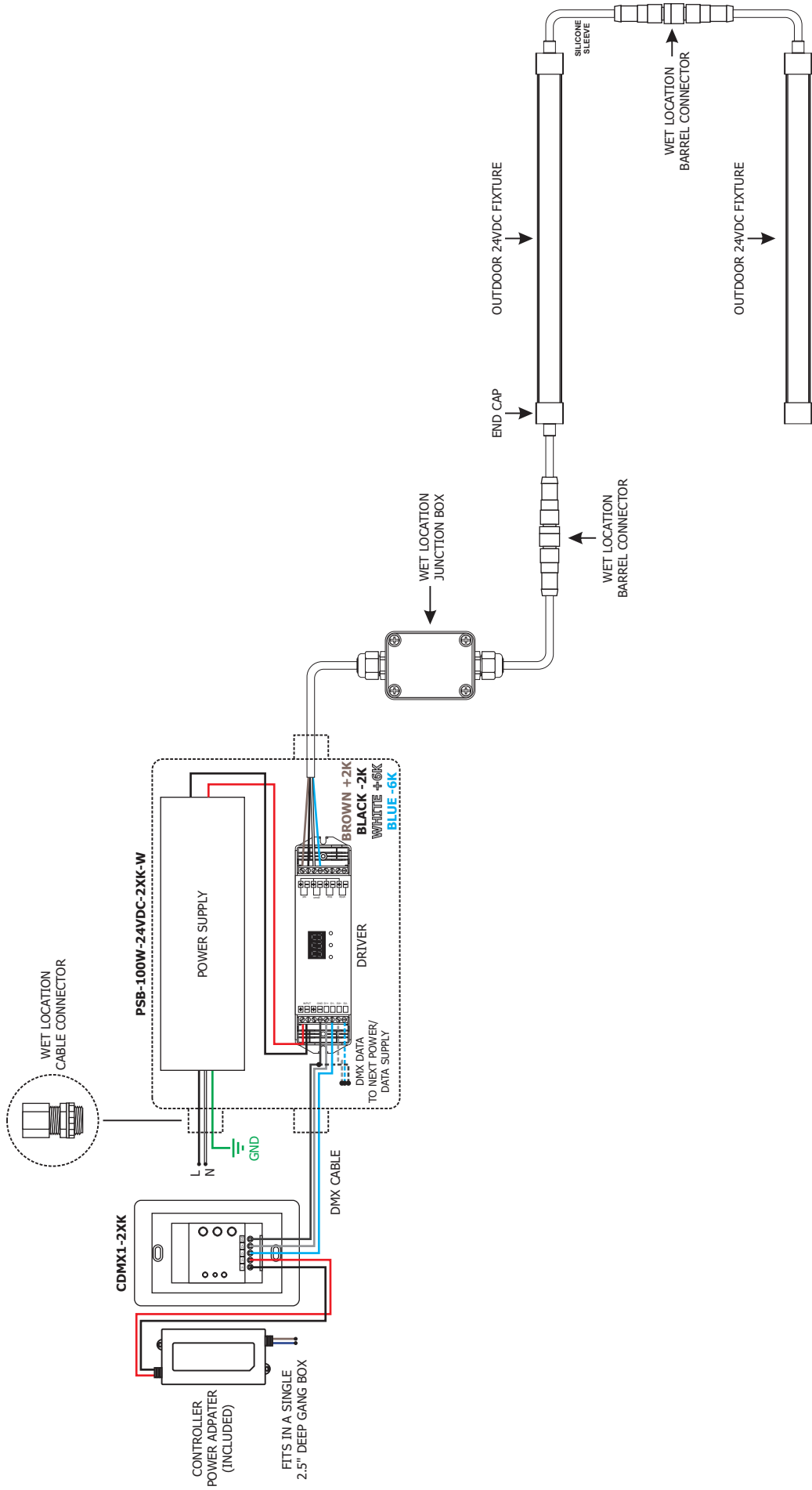




7: Remove the backing from the channel cover. Firmly press down on the Flexible Aluminum Channel tabs while removing the rest of the backing.

8: Refer to Section Two to connect to power.

General Wiring Diagram with DMX Control



General Wiring Diagram with Two Channel Controls

