



1718 W. Fullerton Chicago, IL 60614
 Ph: 773.770.1195 • Fax: 773.935.5613
 www.PureEdgeLighting.com • info@PureEdgeLighting.com
 © 2016 PureEdge Lighting. All Rights Reserved.

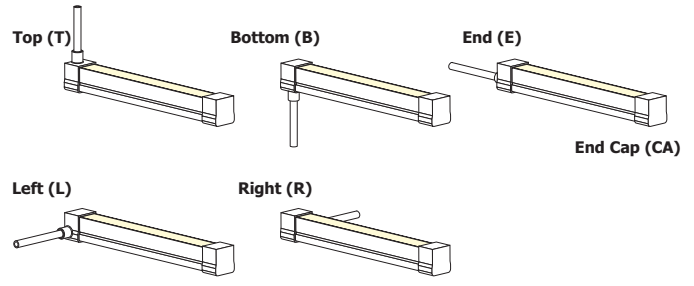
Installation Instructions for Flex Neon LRF7 24VDC Outdoor Wet Location, Tunable White

FN-LRF7-__

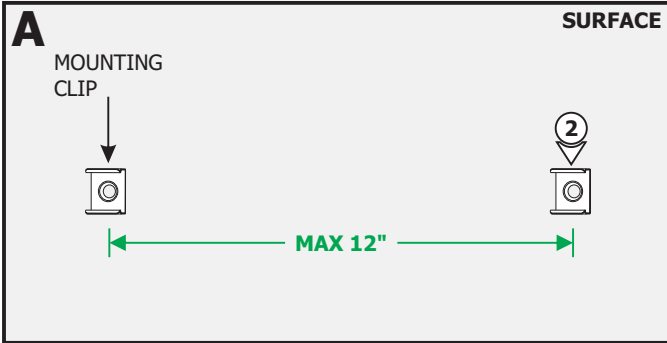
IMPORTANT INFORMATION

- This instruction shows a typical installation.
- The Outdoor Flex Neon is an IP67 rated wet location fixture featuring water tight barrel connections.
- This product bends right to left or left to right.

SAVE THESE INSTRUCTIONS!



Section One: Install the Flex Neon

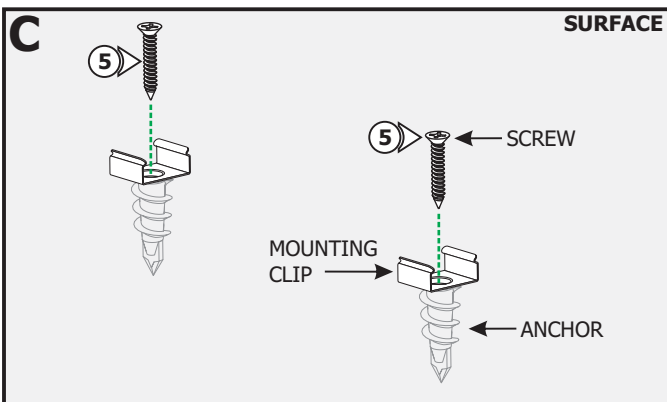
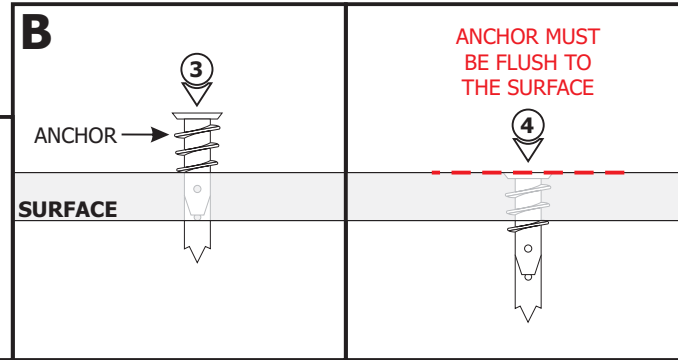


NOTE: Omit this Section if using the Flexible Aluminum Channel. Refer to Section Three.

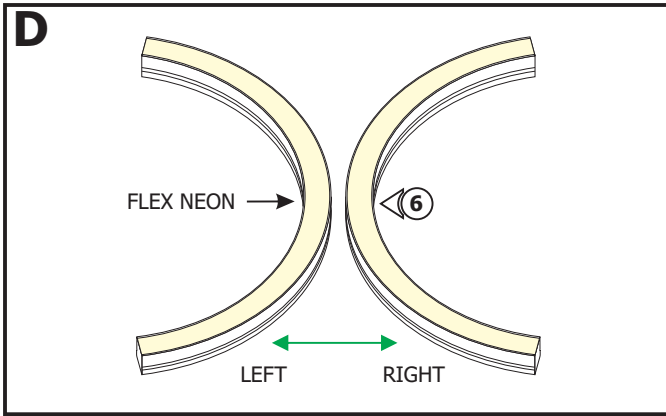
- 1: Determine the location for the Flex Neon.
- 2: Mark the location of the mounting clips. Mounting clips must be maximum 12" apart from each other (measure from the center of the mounting clip).

NOTE: Steps 3 and 4 are for drywall mounting. Omit these steps if mounting to a wood surface directly.

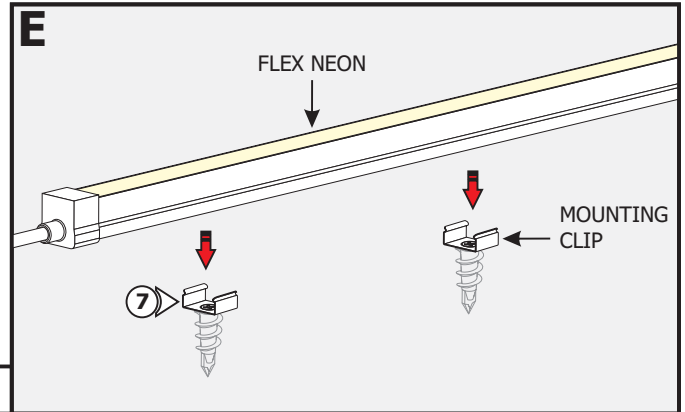
- 3: Tap the anchors onto the marked points up to the threaded portion with a hammer.
- 4: Screw in the threaded portion of the anchors with a Phillips screwdriver.



- 5: Line up the mounting clips to the anchors and secure it to the anchors by tightening the #8-32 screw to each clip.

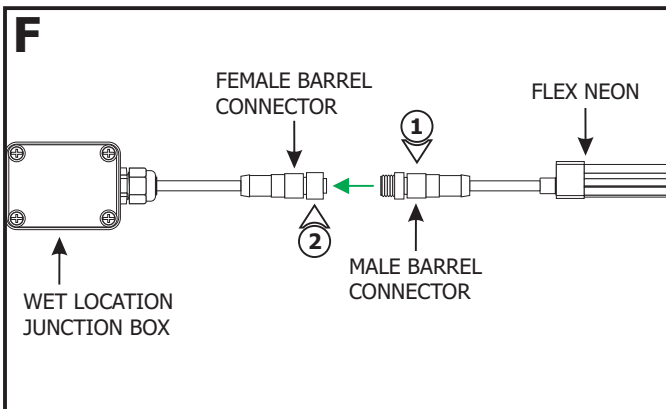


6: If necessary, bend the Flex Neon **ONLY** right to left or left to right.



7: Insert the Flex Neon into each mounting clip.

Section Two: Connect to Power



NOTE: Outdoor electrical connections must be made inside a waterproof junction box or using waterproof wire nut connections.

NOTE: Steps 1 and 2 are for the Wet Location Junction Box with Power Cable.

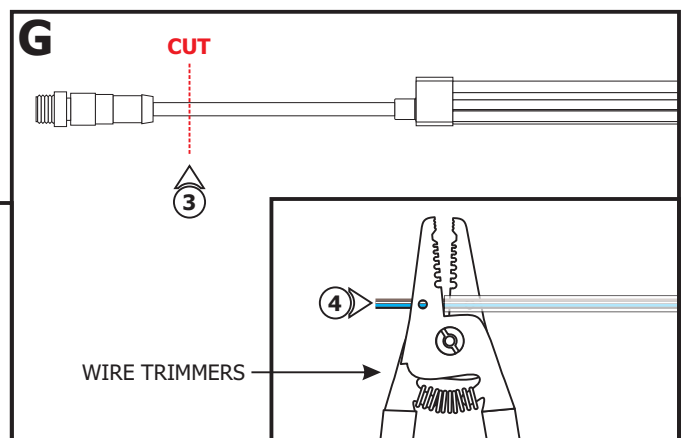
1: Align and push the male barrel connector of the Flex Neon into the female barrel connector going to the power supply.

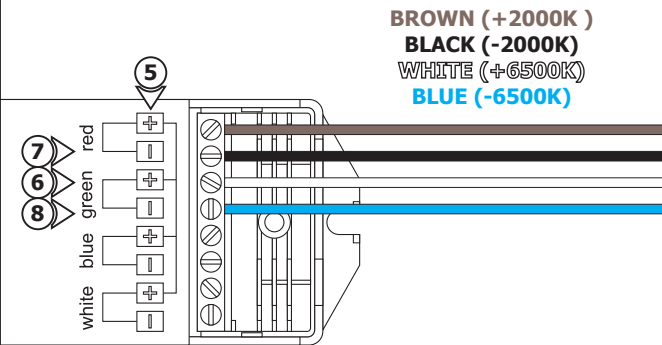
2: Twist the connector nut to lock in place.

NOTE: Omit steps 3 through 15 if using wet location junction box.

3: Cut the end of the power cord that is going to be connected to power and discard the unused connector.

4: Use AWG wire trimmers to remove the outer insulation from wire harness where electrical connection will be made.



H

BROWN (+2000K)
BLACK (-2000K)
 WHITE (+6500K)
BLUE (-6500K)

NOTE: The color of the power cord wires are represented as:
 Brown for +24VDC (2000K)
 Black for -24VDC (2000K)
 White for +24VDC (6500K)
 Blue for -24VDC (6500K)

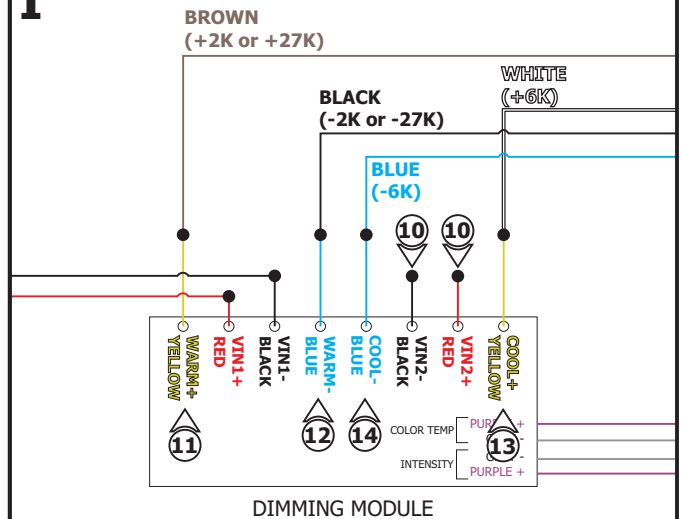
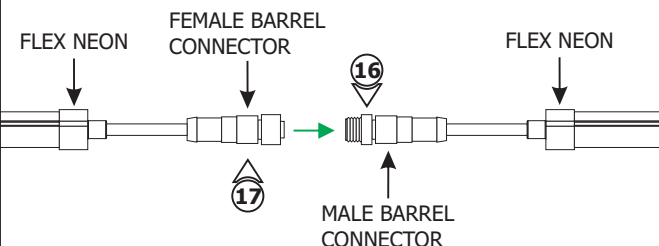
NOTE: Omit steps 5 through 9 if using two channel controls.
 Refer to steps 10 through 15.

Tunable White with DMX Control:

- 5:** Connect the brown wire to the red "+" DMX terminal and tighten the screw.
- 6:** Connect the white wire to the green "+" DMX terminal and tighten the screw.
- 7:** Connect the black wire to the red "-" DMX terminal and tighten the screw.
- 8:** Connect the blue wire to the green "-" DMX terminal and tighten the screw.
- 9:** Refer to the wiring diagram on page 6 and the instructions provided with the power supply to complete the installation.

Tunable White Strip with Two Channel Controls:

- 10:** The Vin2+ Red and Vin2- Black wires are not used in this procedure. Cap the Vin2+ Red and Vin2- Black wires using wire nuts.
- 11:** Connect the brown wire for +2000K or +2700K to the Warm+ Yellow dimming module wire using a wire nut.
- 12:** Connect the black wire for -2000K or -2700K to the Warm- Blue dimming module wire using a wire nut.
- 13:** Connect the white wire for +6500K to the Cool+ Yellow dimming module wire using a wire nut.
- 14:** Connect the blue wire for -6500K to the Cool- Blue dimming module wire using a wire nut.
- 15:** Refer to the wiring diagram on page 7 and the instructions provided with the power supply to complete the installation.

I**J**

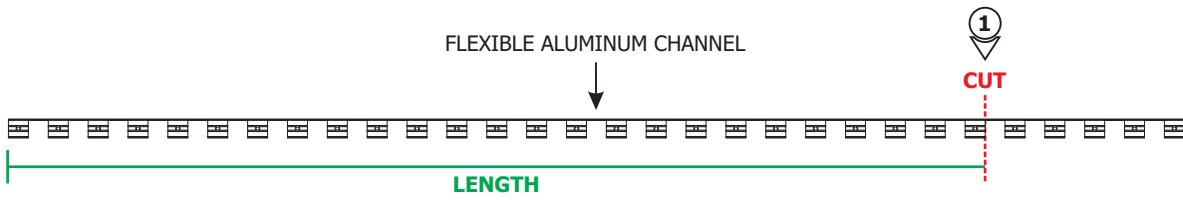
16: To connect additional Flex Neon, align and push the female barrel connector of one Flex Neon into the male barrel connector of the next one.

17: Twist the connector nut to lock in place. Repeat for any additional sections.

NOTE: Ensure that additional Flex Neon are properly supported and powered.

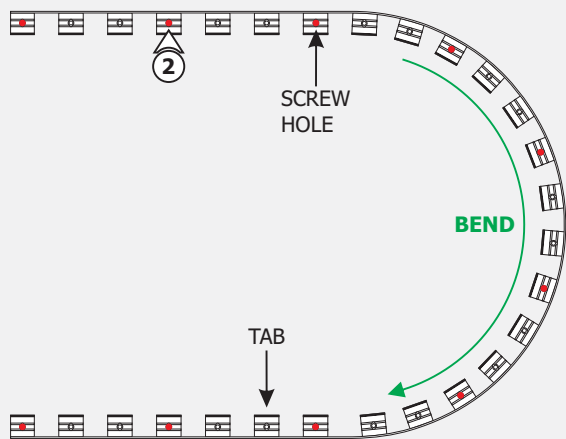
Section Three: Install the Flex Neon with Flexible Aluminum Channel

K



1: If necessary measure and cut **ONLY** the Flexible Aluminum Channel to length.

L



2: Determine the location of the Flexible Aluminum Channel and mark every fourth tab screw holes.

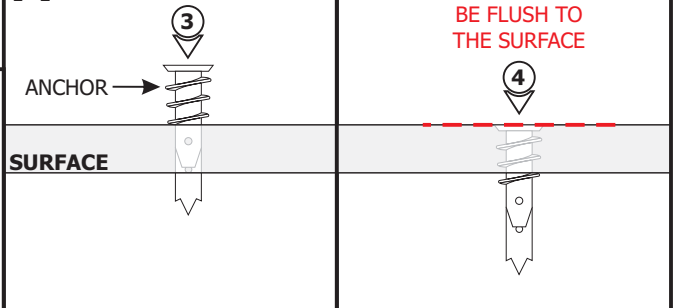
NOTE: The Flexible Aluminum channel bends in both directions. For simple curves or circles, it is recommended to bend the channel toward the tabs.

NOTE: Steps 3 and 4 are for drywall mounting. Omit these steps if mounting to a wood surface directly.

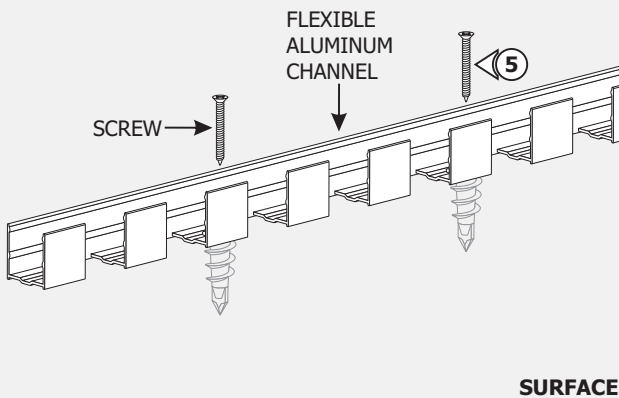
3: Anchors are not provided. Tap the anchors onto the marked points up to the threaded portion with a hammer.

4: Screw in the threaded portion of the anchors with a Phillips screwdriver.

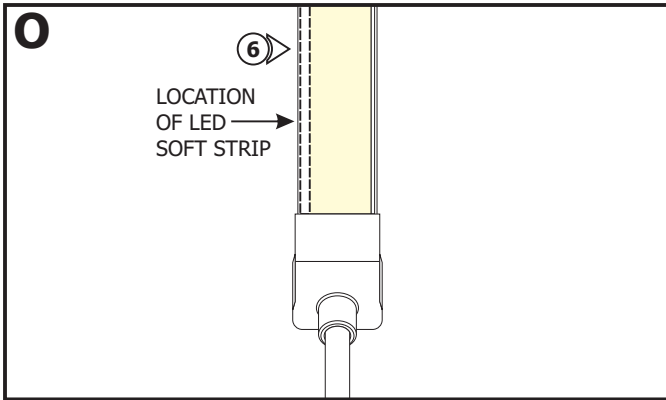
M



N

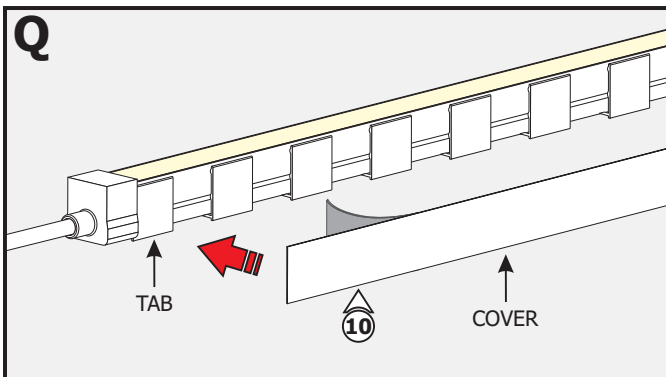
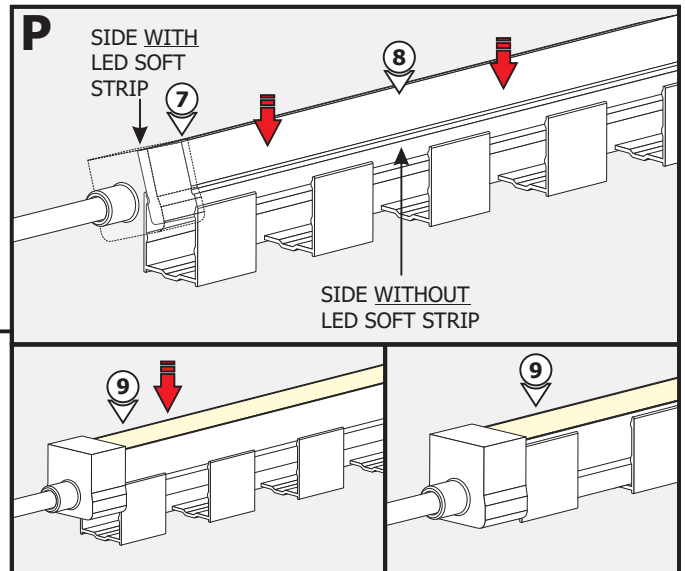


5: Secure the Flexible Aluminum Channel to the anchors using screws.



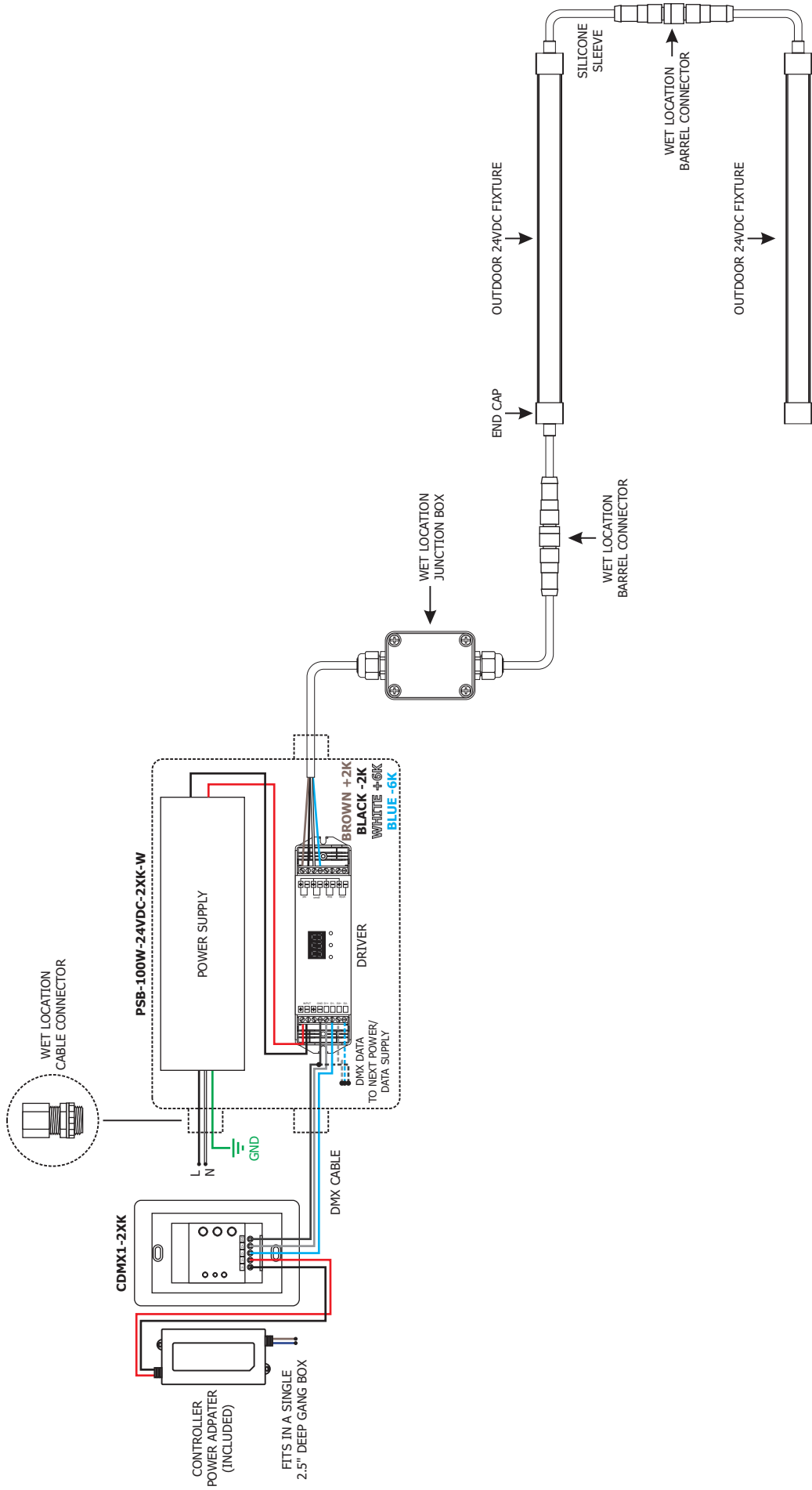
6: Identify the thicker side of the Flex Neon that indicates the location of the LED Soft Strip.

- 7:** Place the side with LED Soft Strip on an angle on top of the Flexible Aluminum Channel.
- 8:** Slightly push down the side without LED Soft Strip inside the Flexible Aluminum Channel.
- 9:** Carefully push the Flex Neon completely inside the Flexible Aluminum Channel.



- 10:** Remove the backing from the channel cover. Firmly press down on the Flexible Aluminum Channel tabs while removing the rest of the backing.
- 11:** Refer to Section Two to connect to power.

General Wiring Diagram with DMX Control



General Wiring Diagram with Two Channel Controls

