



1718 W. Fullerton Chicago, IL 60614  
 Ph: 773.770.1195 • Fax: 773.935.5613  
 www.PureEdgeLighting.com • info@PureEdgeLighting.com  
 © 2016 PureEdge Lighting. All Rights Reserved.

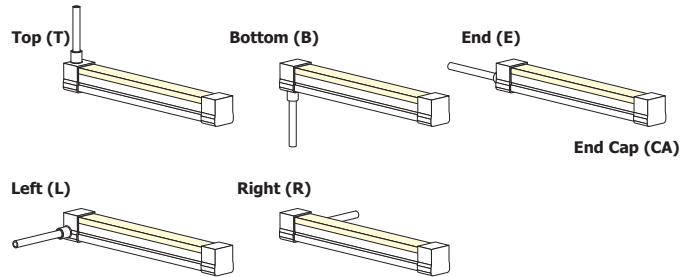
# Installation Instructions for Flex Neon LRT7 24VDC Outdoor Wet Location, Tunable White

**FN-LRT7-\_\_**

## IMPORTANT INFORMATION

- This instruction shows a typical installation.
- The Outdoor Flex Neon is an IP67 rated wet location fixture featuring water tight barrel connections.
- This product bends right to left or left to right.

**SAVE THESE INSTRUCTIONS!**



## Section One: Install the Flex Neon

**A** SURFACE

**NOTE:** Omit this Section if using the Flexible Aluminum Channel. Refer to Section Three.

- 1:** Determine the location for the Flex Neon.
- 2:** Mark the location of the mounting clips. Mounting clips must be maximum 12" apart from each other (measure from the center of the mounting clip).

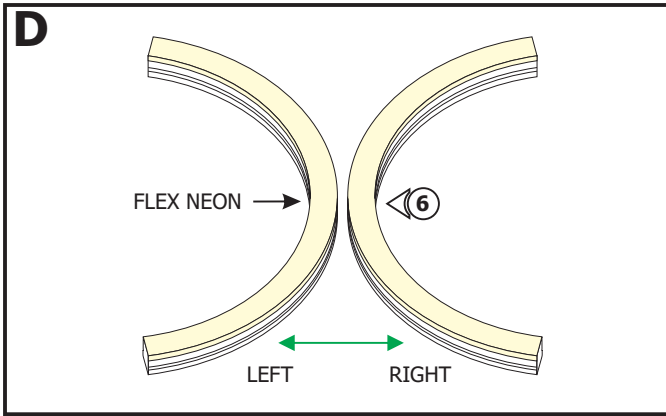
**NOTE:** Steps 3 and 4 are for drywall mounting. Omit these steps if mounting to a wood surface directly.

- 3:** Tap the anchors onto the marked points up to the threaded portion with a hammer.
- 4:** Screw in the threaded portion of the anchors with a Phillips screwdriver.

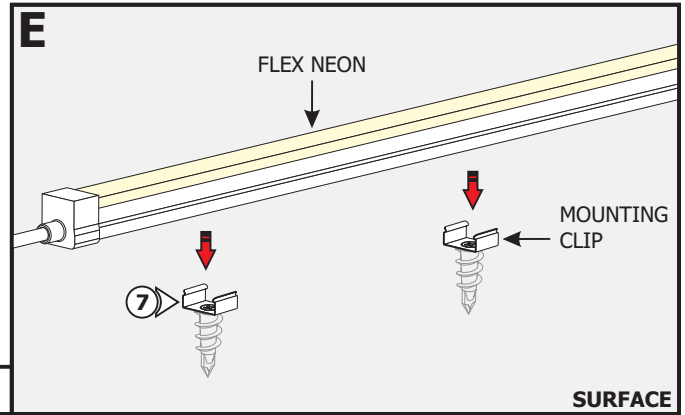
**B**

**C** SURFACE

- 5:** Line up the mounting clips to the anchors and secure it to the anchors by tightening the #8-32 screw to each clip.

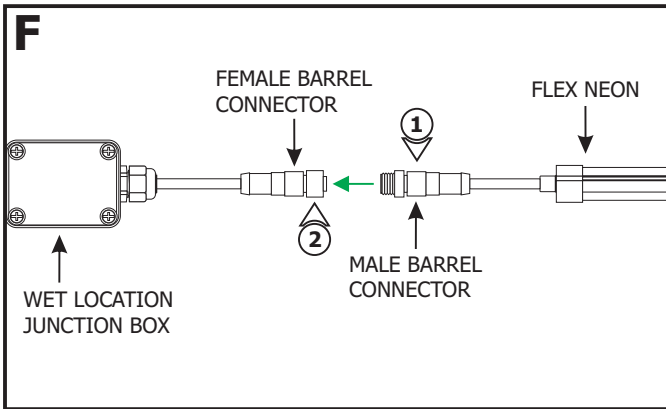


**6:** If necessary, bend the Flex Neon **ONLY** right to left or left to right.



**7:** Insert the Flex Neon into each mounting clip.

## Section Two: Connect to Power



**NOTE:** Outdoor electrical connections must be made inside a waterproof junction box or using waterproof wire nut connections.

**NOTE:** Steps 1 and 2 are for the Wet Location Junction Box with Power Cable.

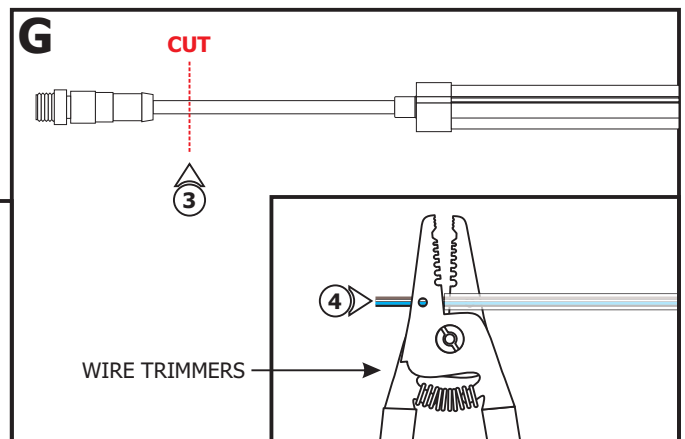
**1:** Align and push the male barrel connector of the Flex Neon into the female barrel connector going to the power supply.

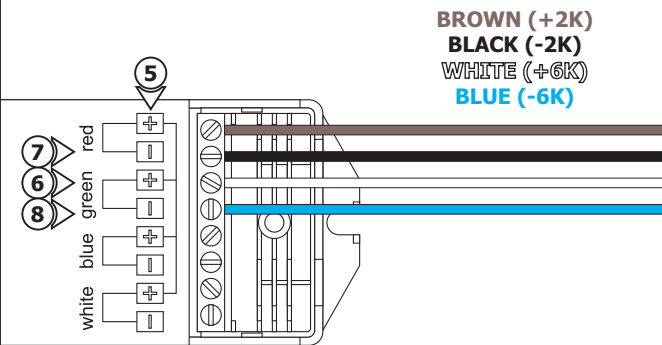
**2:** Twist the connector nut to lock in place.

**NOTE:** Omit steps 3 through 15 if using wet location junction box.

**3:** Cut the end of the power cord that is going to be connected to power and discard the unused connector.

**4:** Use AWG wire trimmers to remove the outer insulation from wire harness where electrical connection will be made.



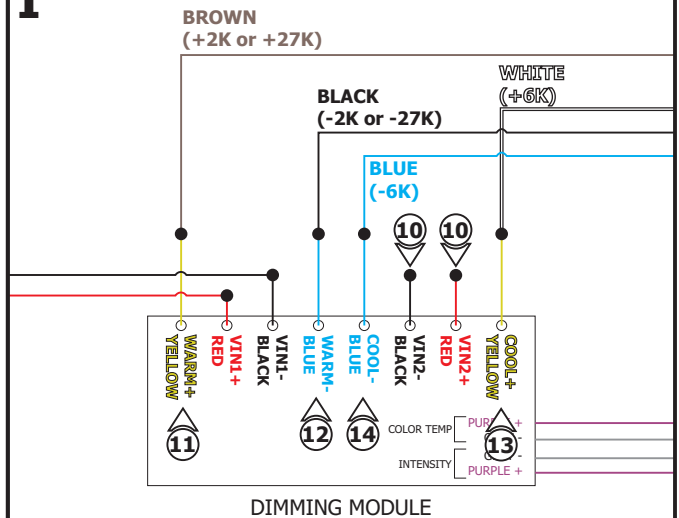
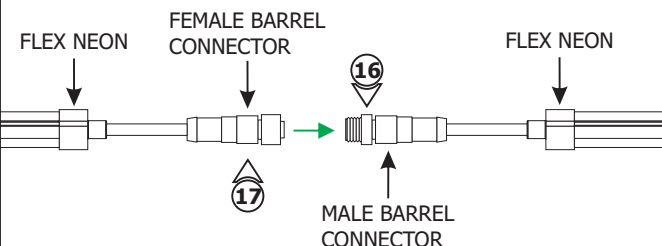
**H**

**NOTE:** The color of the power cord wires are represented as:  
 Brown for +24VDC (2K)  
 Black for -24VDC (2K)  
 White for +24VDC (6K)  
 Blue for -24VDC (6K)

- 5: Connect the brown wire to the red "+" DMX terminal and tighten the screw.
- 6: Connect the white wire to the green "+" DMX terminal and tighten the screw.
- 7: Connect the black wire to the red "-" DMX terminal and tighten the screw.
- 8: Connect the blue wire to the green "-" DMX terminal and tighten the screw.
- 9: Refer to the wiring diagram on page 6 and the instructions provided with the power supply to complete the installation.

### Tunable White Strip with Two Channel Controls:

- 10: The Vin2+ Red and Vin2- Black wires are not used in this procedure. Cap the Vin2+ Red and Vin2- Black wires using wire nuts.
- 11: Connect the brown wire for +2000K or +2700K to the Warm+ Yellow dimming module wire using a wire nut.
- 12: Connect the black wire for -2000K or -2700K to the Warm- Blue dimming module wire using a wire nut.
- 13: Connect the white wire for +6500K to the Cool+ Yellow dimming module wire using a wire nut.
- 14: Connect the blue wire for -6500K to the Cool- Blue dimming module wire using a wire nut.
- 15: Refer to the wiring diagram on page 7 and the instructions provided with the power supply to complete the installation.

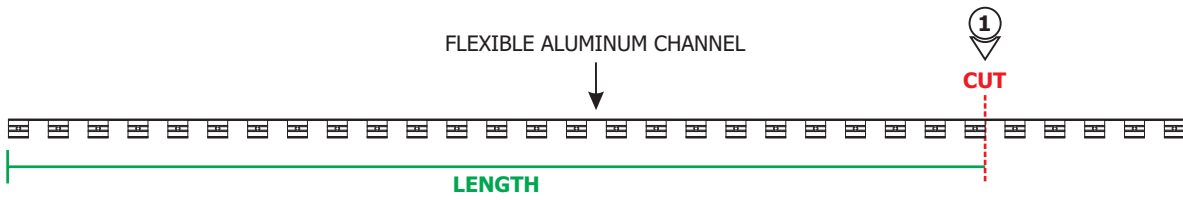
**I****J**

- 16: To connect additional Flex Neon, align and push the female barrel connector of one Flex Neon into the male barrel connector of the next one.
- 17: Twist the connector nut to lock in place. Repeat for any additional sections.

**NOTE:** Ensure that additional Flex Neon are properly supported and powered.

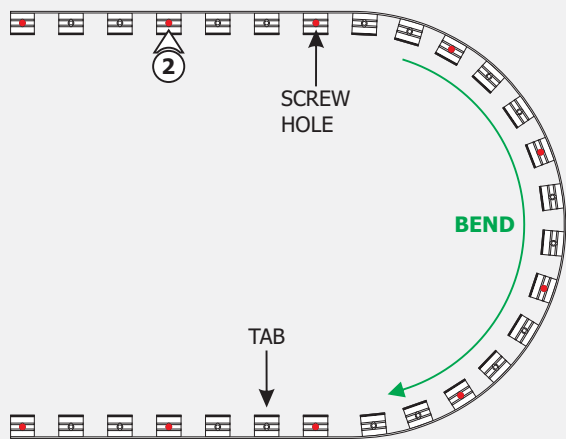
## Section Three: Install the Flex Neon with Flexible Aluminum Channel

**K**



**1:** If necessary measure and cut **ONLY** the Flexible Aluminum Channel to length.

**L**



**2:** Determine the location of the Flexible Aluminum Channel and mark every fourth tab screw holes.

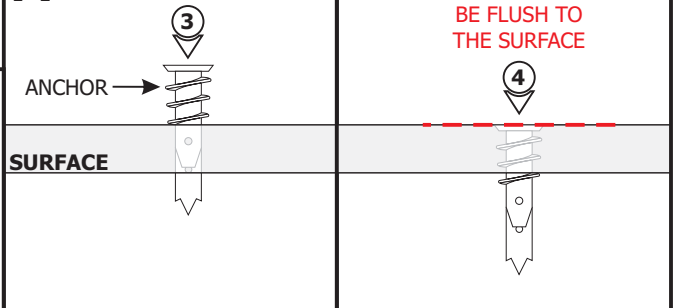
**NOTE:** The Flexible Aluminum channel bends in both directions. For simple curves or circles, it is recommended to bend the channel toward the tabs.

**NOTE:** Steps 3 and 4 are for drywall mounting. Omit these steps if mounting to a wood surface directly.

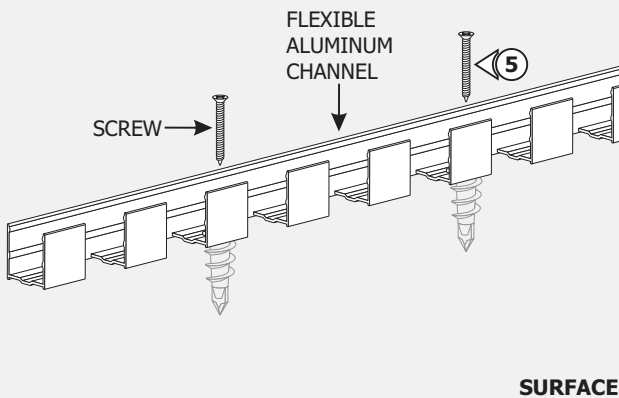
**3:** Anchors are not provided. Tap the anchors onto the marked points up to the threaded portion with a hammer.

**4:** Screw in the threaded portion of the anchors with a Phillips screwdriver.

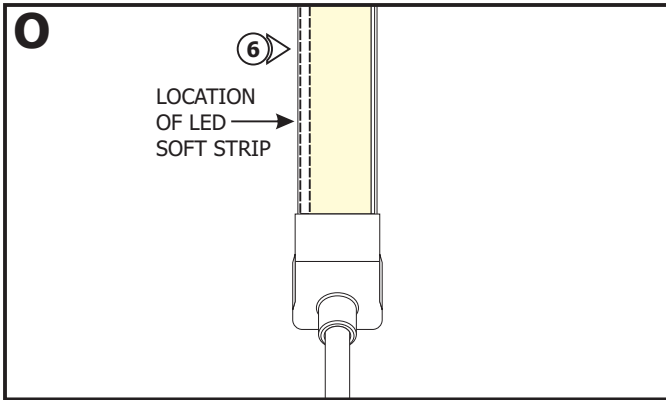
**M**



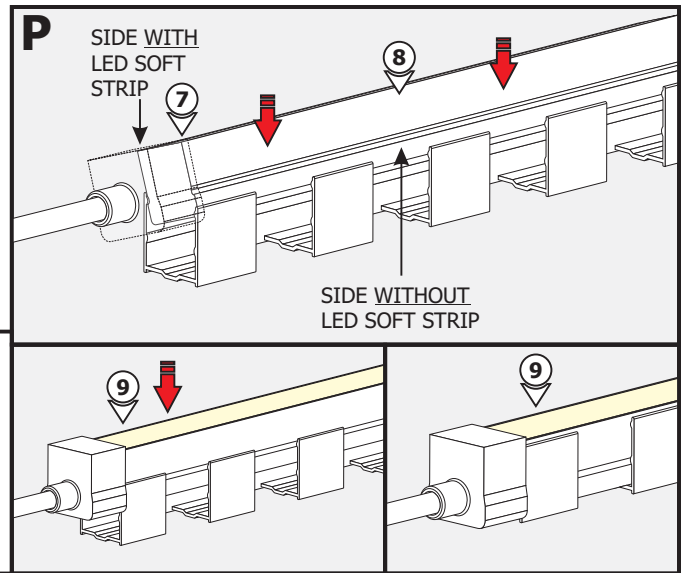
**N**



**5:** Secure the Flexible Aluminum Channel to the anchors using screws.



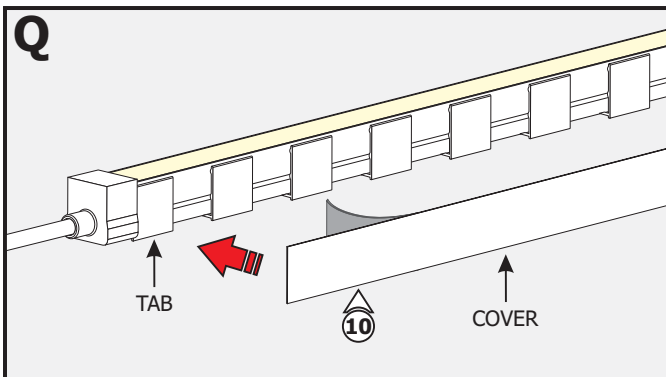
**6:** Identify the thicker side of the Flex Neon that indicates the location of the LED Soft Strip.



**7:** Place the side with LED Soft Strip on an angle on top of the Flexible Aluminum Channel.

**8:** Slightly push down the side without LED Soft Strip inside the Flexible Aluminum Channel.

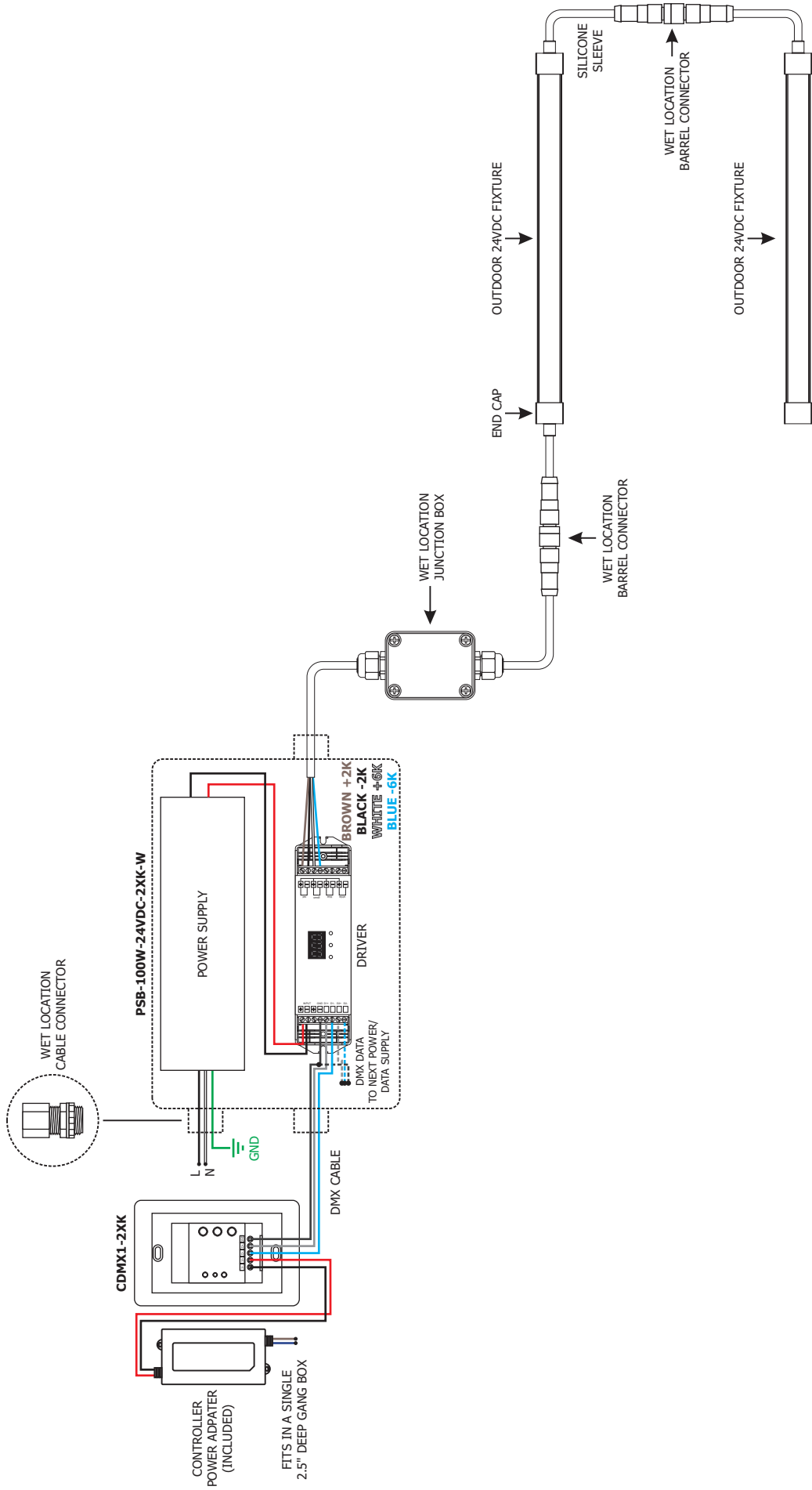
**9:** Carefully push the Flex Neon completely inside the Flexible Aluminum Channel.



**10:** Remove the backing from the channel cover. Firmly press down on the Flexible Aluminum Channel tabs while removing the rest of the backing.

**11:** Refer to Section Two to connect to power.

# General Wiring Diagram with DMX Control



# General Wiring Diagram with Two Channel Controls

