



1718 W. Fullerton Chicago, IL 60614
 Ph: 773.770.1195 • Fax: 773.935.5613
 www.PureEdgeLighting.com • info@PureEdgeLighting.com
 © 2016 PureEdge Lighting. All Rights Reserved.

Installation Instructions for **Micro Track Ceiling 48V Single Feed Center Feed Power Connector**

MTC48-1C-__


GENERAL INFORMATION

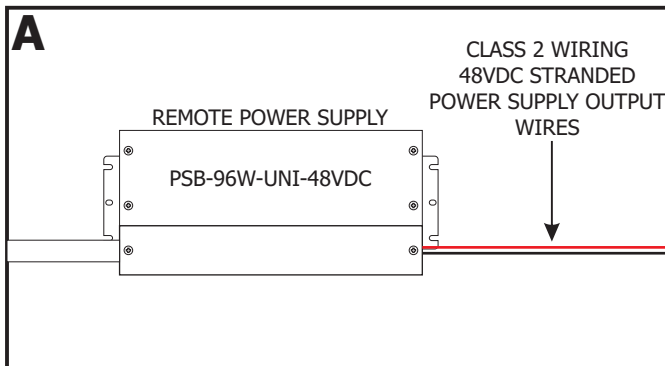
- Maximum linkable wattage per Loop: 48VDC systems, 96W
- Maximum track length per loop up to 40ft for 96W/100W systems.
- Power Supply and Dimming: 48V Power Supply & Class 2 Wiring (ELV, Triac, 0-10V)
- Tracks can be linked continuously without limitation up to 40ft before re-feeding. Sections can be individually controlled, allowing for flexible lighting layouts.
- Minimum loop voltage: Must maintain $\geq 45\text{VDC}$ at the end of each loop. Voltage below 45VDC may result in abnormal operation.
- Power buffer recommendation: Reserve - 20% buffer for linear modules & 25% buffer for other module types.
- Use only Pure Edge Lighting power supplies to avoid flickering, unstable dimming, noise or module failure and void warranty.
- When using multiple power supplies, use non-conductive connectors to separate each circuit.
- Voltage testing before installation: Measure output voltage from MT48-1C-EP with the power supply connected and confirm the reading is 48VDC. Then measure the voltage at the end of the circuit and to confirm no voltage drop.

IMPORTANT INFORMATION

- This product must be installed by a qualified electrician and in accordance with local electrical codes.
- Before beginning any electrical work, ensure that power is turned **OFF**.
- **DO NOT** install any luminaire assembly close to any curtain or similar combustible material.
- This instruction shows a typical installation.

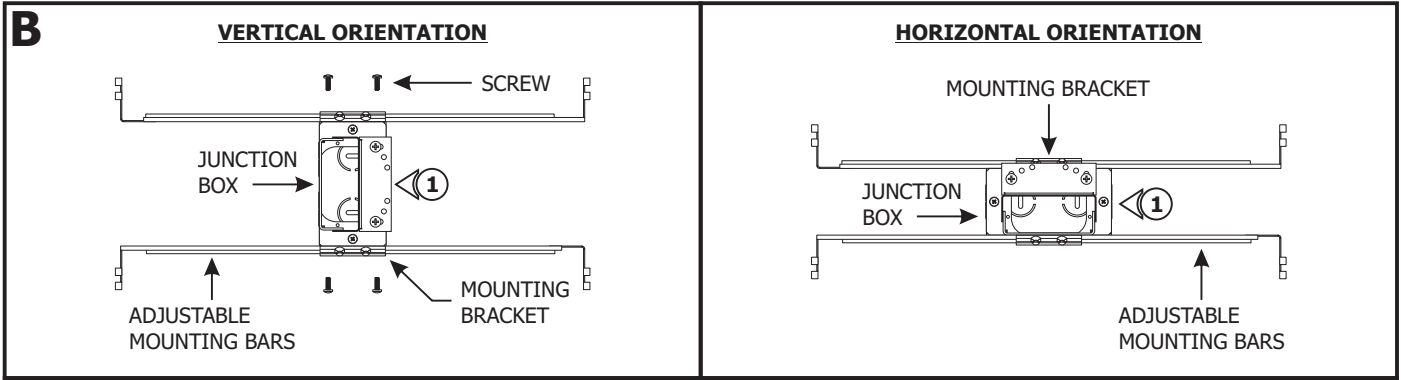
SAVE THESE INSTRUCTIONS!

Section One: Install the Remote Power Supply



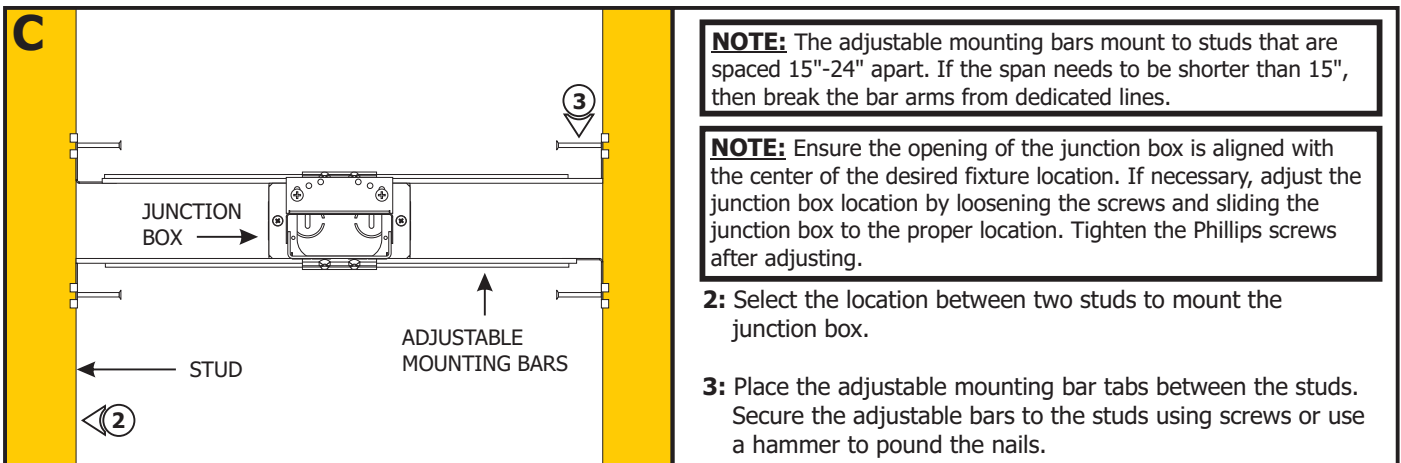
- 1:** Remote power supplies must be installed within 40ft of the junction box. Refer to the instructions and wiring diagram provided with the remote power supplies.

Section Two: 1" Rectangle Canopy



NOTE: Omit this section if using 4" Square Split Canopy.

1: Mount each adjustable mounting bar to one side of the junction box (mounts to any side of the housing depending on the orientation of the channel) and secure them with the mounting brackets and Phillips screws provided.



NOTE: The adjustable mounting bars mount to studs that are spaced 15"-24" apart. If the span needs to be shorter than 15", then break the bar arms from dedicated lines.

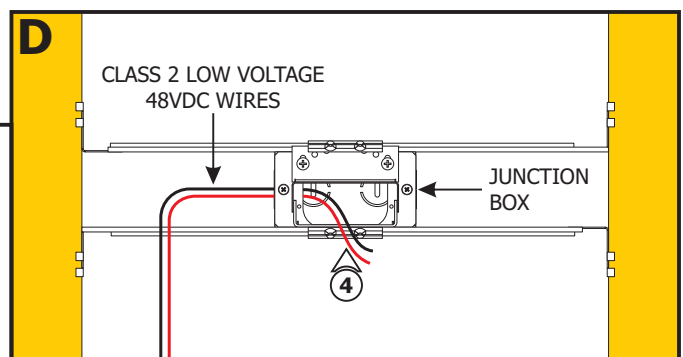
NOTE: Ensure the opening of the junction box is aligned with the center of the desired fixture location. If necessary, adjust the junction box location by loosening the screws and sliding the junction box to the proper location. Tighten the Phillips screws after adjusting.

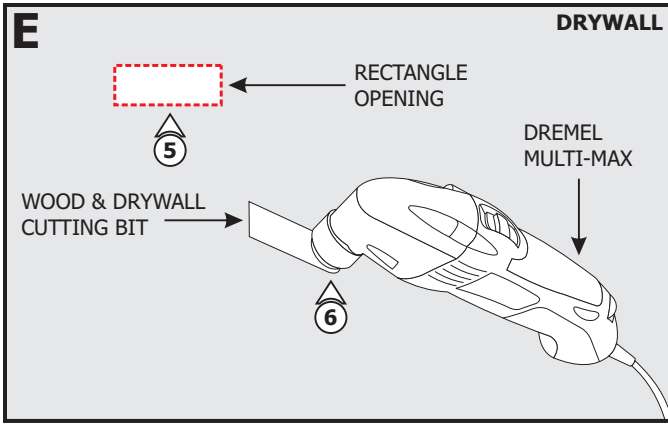
2: Select the location between two studs to mount the junction box.

3: Place the adjustable mounting bar tabs between the studs. Secure the adjustable bars to the studs using screws or use a hammer to pound the nails.

NOTE: Remote power supply must be installed within 40ft of junction box. Ensure remote power supply wires are present in the junction box. Refer to instructions provided with the power supply.

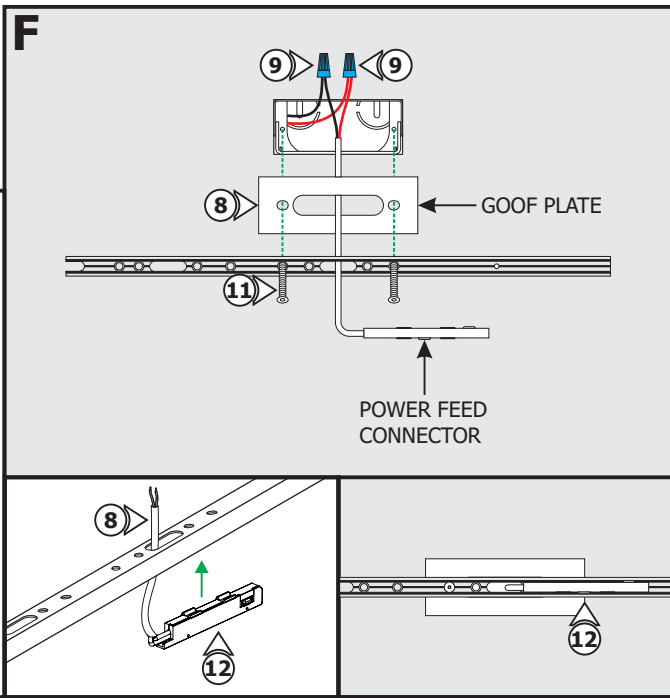
4: Run the 48VDC low voltage wires coming from the remote power supply to the junction box. Only install conduit if required by local electrical codes.



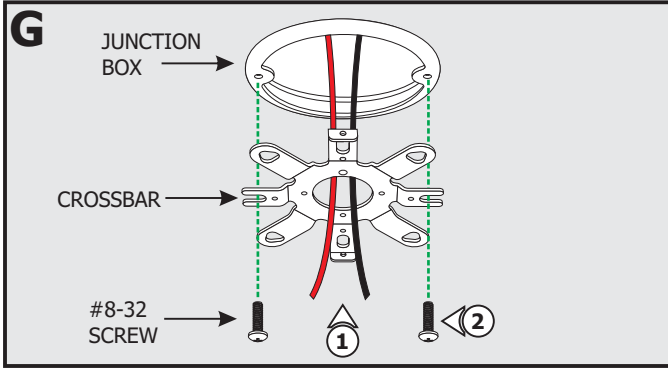


- 5:** Mark a rectangle shape on the drywall where the junction box opening will be located depending on the selected position.
- 6:** Cut out the marked rectangle opening, using a "Dremel Multi-Max" with the "wood & drywall" cutting bit.
- 7:** Install & finish drywall.

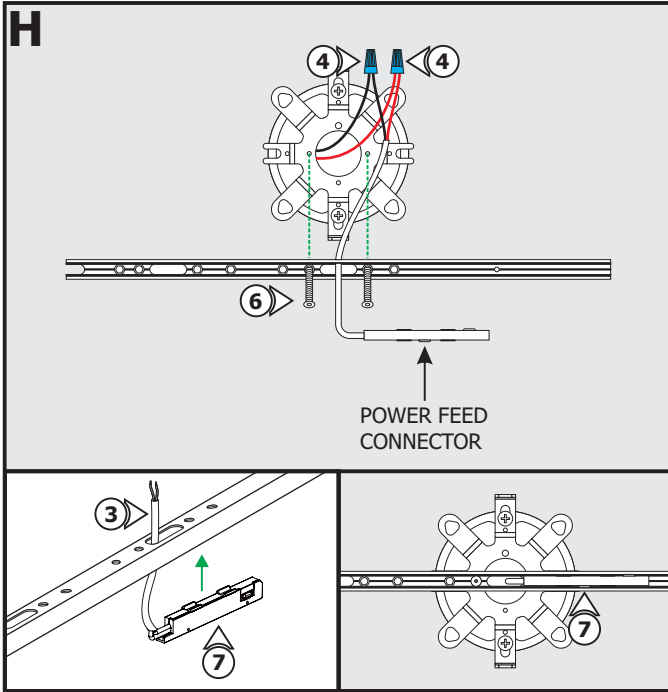
- 8:** Feed the power feed connector cable through the center feed opening on the track and the Goof Plate (paint to match prior).
- 9:** Connect the red wire from the power feed connector to the + wire of the power supply using a wire nut. Connect the black wire of the power feed connector to the - wire of the power supply using a wire nut.
- 10:** Place all connections inside the junction box.
- 11:** Secure the Center Feed Power Connector and Goof Plate to the junction box using the two screws provided.
- 12:** Place the power feed connector inside the track.
- 13:** Continue to Section Four to complete the installation.



Section Three: 4" Square Split Canopy

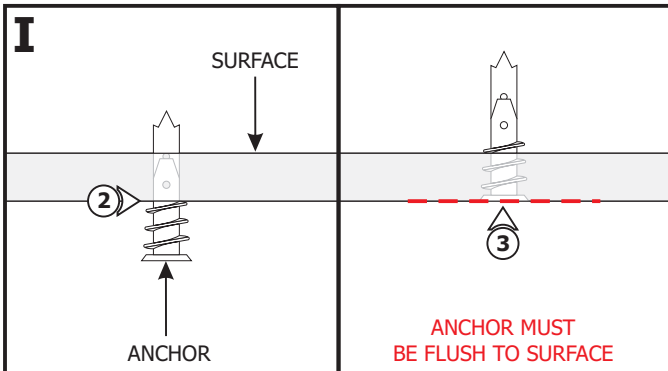


- NOTE:** Omit this section if using the 1" Rectangle Canopy.
- 1:** Feed the 48VDC low voltage wires coming from the power supply through the crossbar center hole.
 - 2:** Mount the crossbar to the junction box holes using two #8-32 screws.

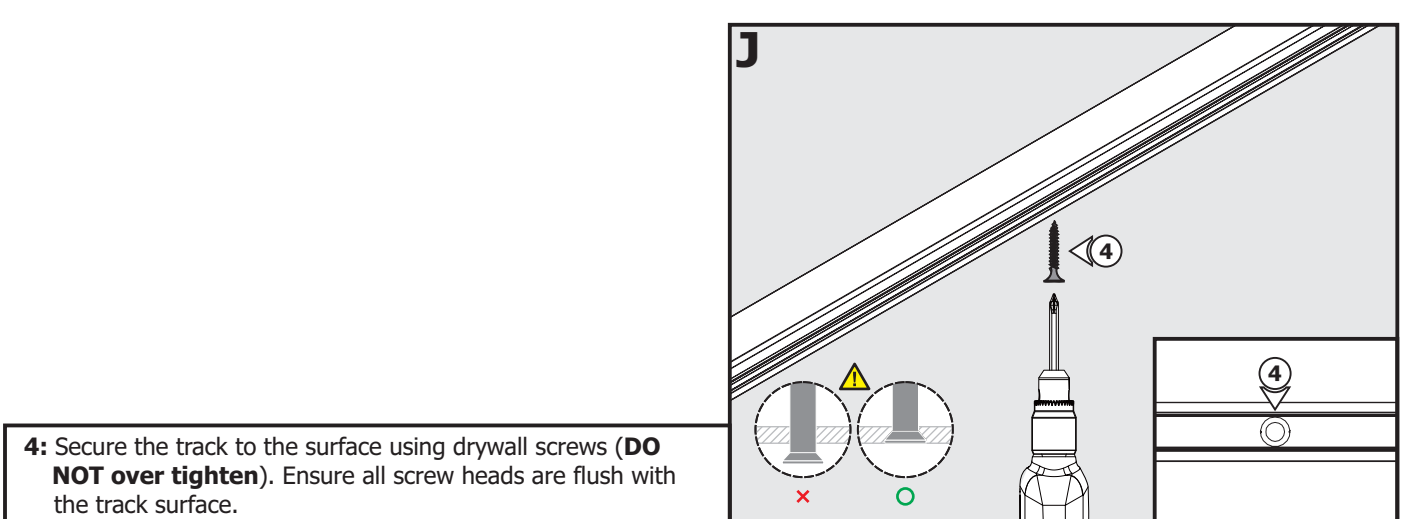


- 3:** Feed the power feed connector cable through the center opening on the track.
- 4:** Connect the red wire from the power feed connector to the + wire of the power supply using a wire nut. Connect the black wire of the power feed connector to the - wire of the power supply using a wire nut.
- 5:** Place all connections inside the junction box.
- 6:** Secure the Center Feed Power Connector to the junction box using the two screws provided.
- 7:** Place the power feed connector inside the track.
- 8:** Continue to Section Four to complete the installation.

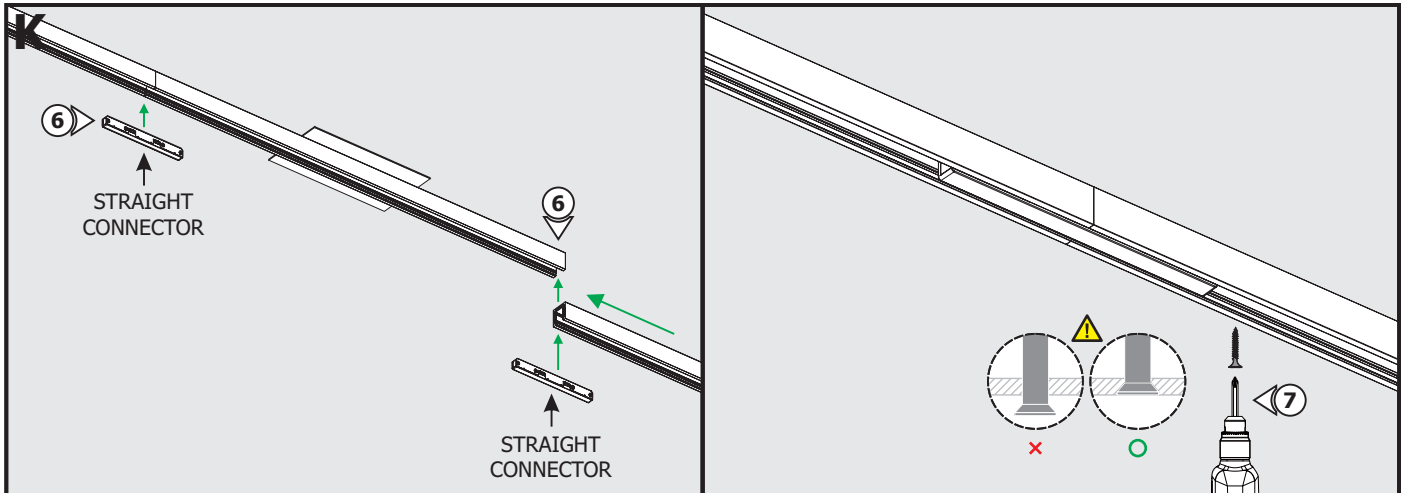
Section Four: Connect Track Sections



- NOTE:** Steps 2 and 3 are for drywall mounting. Omit these steps if mounting to a wood surface directly.
- 1:** Mark the location of the track holes on the surface, ensure they are centered with the junction box.
 - 2:** Tap the anchors onto the marked points up to the threaded portion with a hammer.
 - 3:** Screw in the threaded portion of the anchors with a Phillips screwdriver.



- 4:** Secure the track to the surface using drywall screws (**DO NOT over tighten**). Ensure all screw heads are flush with the track surface.



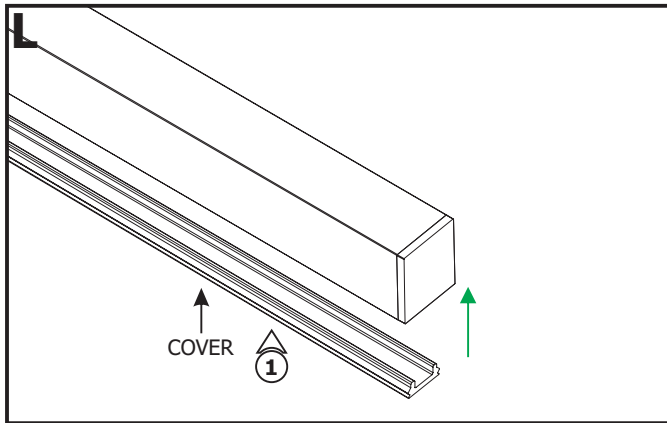
5: Mark the location of the holes on the surface for the next track, ensure they are centered with the previous track.

6: Join the track sections end to end and place the Straight Connector in the center of the tracks.

7: Secure the track to the surface using drywall screws (**DO NOT over tighten**). Ensure all screw heads are flush with the track surface.

NOTE: Refer to the instructions provided with the Micro Track Ceiling 48V to complete the installation.

Section Five: Install the Covers and Canopy

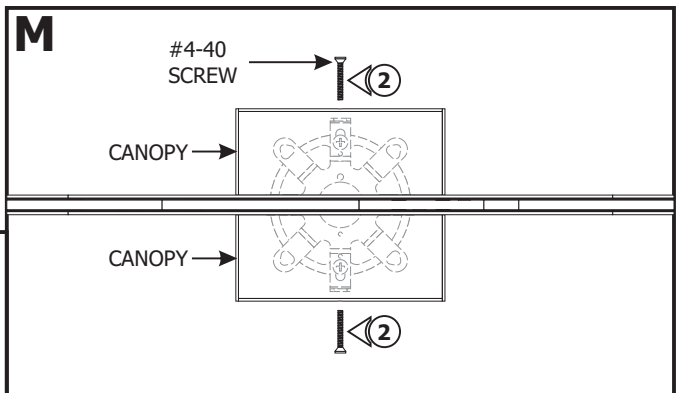


NOTE: Refer to the Assembly Guides provided with the Light Bars or Track Heads to install the fixtures.

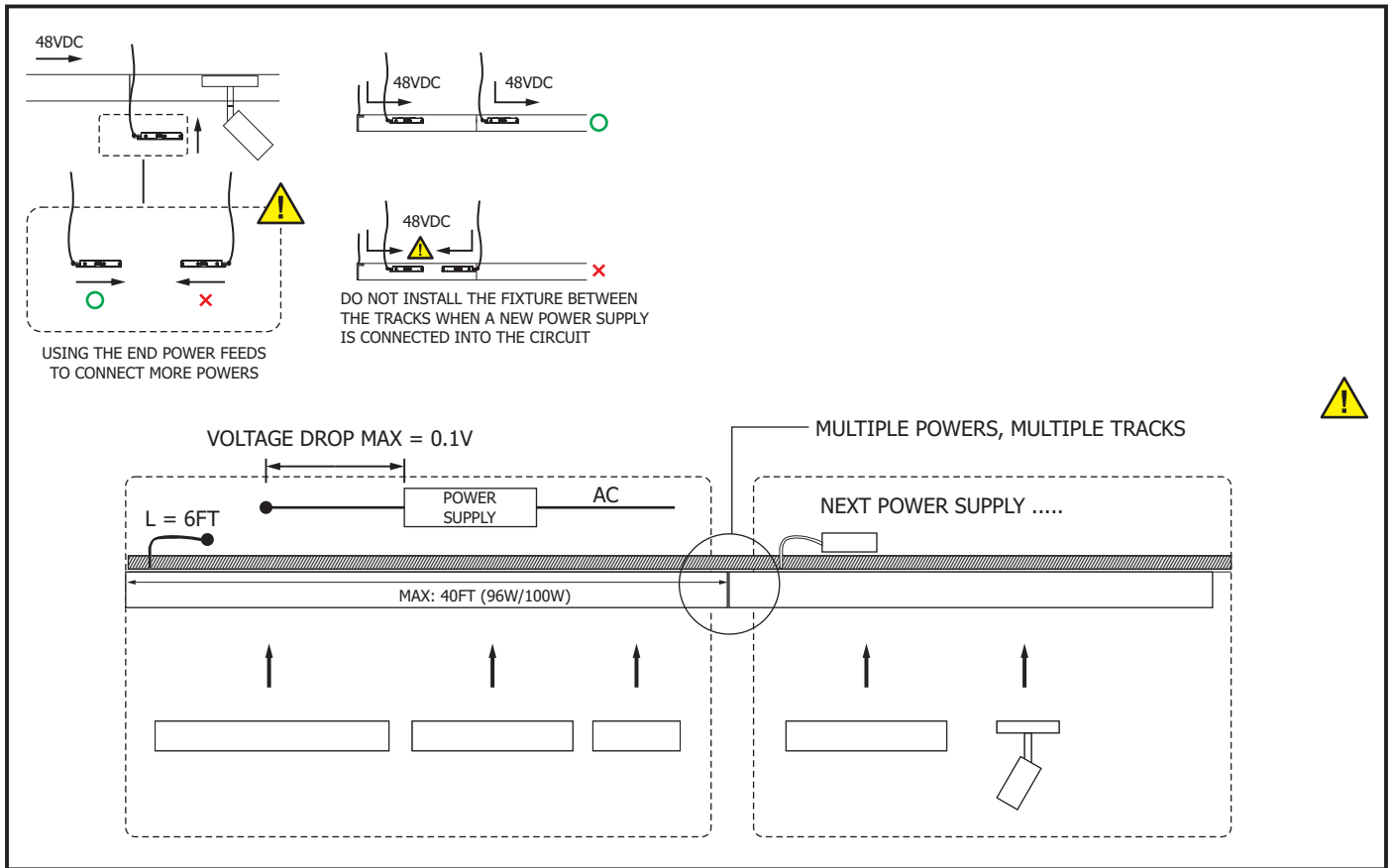
1: For a nice and uniform look, if desired, measure the distance among the track heads and light bars or from the ends and cut the track over to those lengths. Snap the covers onto the unused portions of the tracks.

4" Split Canopy:

2: If applicable, place each canopy piece against the fixture and align the canopy holes with the crossbar holes. Secure the canopy pieces in place with the two #4-40 screws and 1/16" Allen wrench provided.



Section Six: Calculate Cable Length



General Wiring Diagram

