



1718 W. Fullerton Chicago, IL 60614  
 Ph: 773.770.1195 • Fax: 773.935.5613  
 www.PureEdgeLighting.com • info@PureEdgeLighting.com  
 © 2016 PureEdge Lighting. All Rights Reserved.

## Installation Instructions for Nova Ceiling Wall Grazer with Remote Power

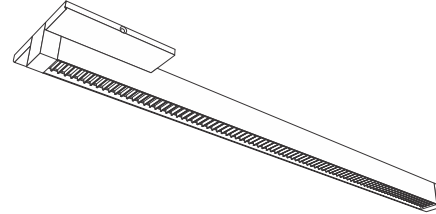
NCWG\_-\_-1R-\_\_

NCWG\_-\_-4S-\_\_

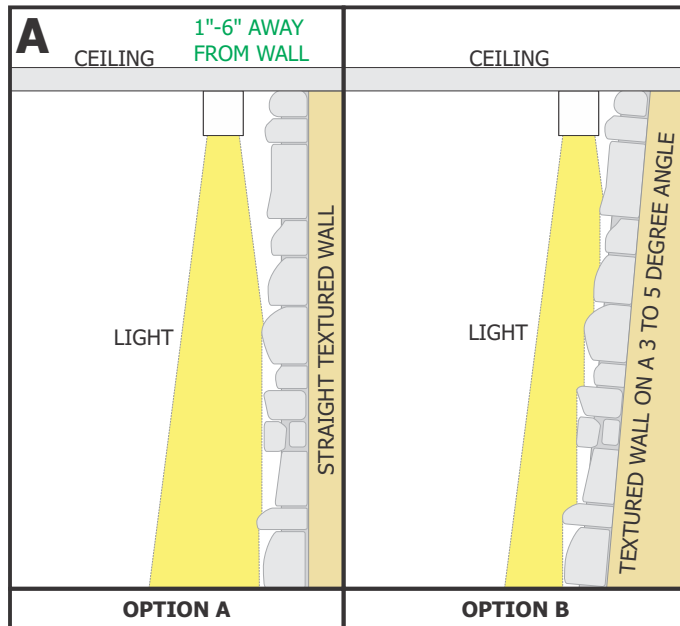
### IMPORTANT INFORMATION

- This instruction shows a typical installation.
- It is recommended more than one person to assist in this installation.
- Use for textured walls such as stone, wood or brick.

**SAVE THESE INSTRUCTIONS!**



## Section One: Mounting Channel for Proper Lighting Distribution

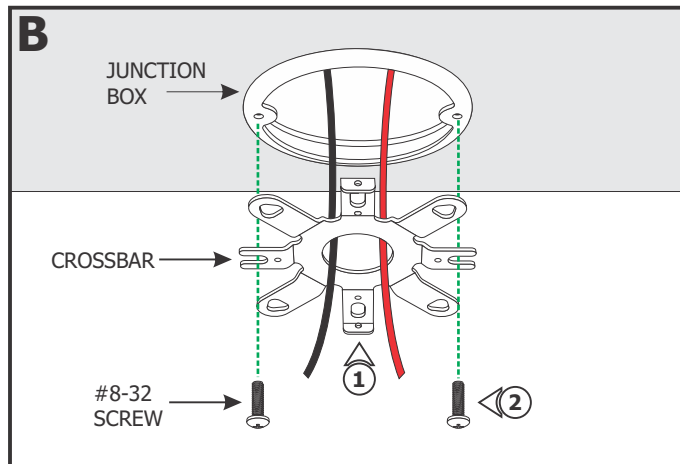


**1:** Choose one of the two options to install the channel to properly graze the textured wall.

**Option A:** Mount the channel 1" to 6" away from the straight textured wall.

**Option B:** Mount the channel next to the textured wall that is installed at a 3 to 5 degree angle.

## Section Two: 4" Square Split Canopy Version



**NOTE:** Remote power supply must be installed within 40ft of junction box. Ensure remote power supply wires are present in the junction box. Refer to instructions provided with the power supply.

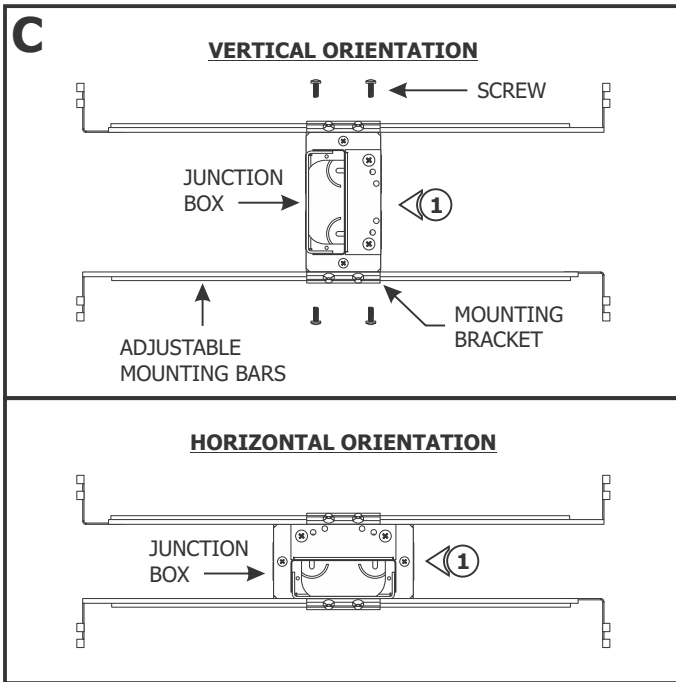
**NOTE:** Omit this section if using C-1RE-JBOX. See Section Three.

**1:** Feed the low voltage wires from the power supply through the crossbar center hole.

**2:** Mount the crossbar to the junction box holes using two #8-32 screws.

**3:** Complete installation by following steps in Section Four.

## Section Three: 1" Rectangle with Junction Box Version



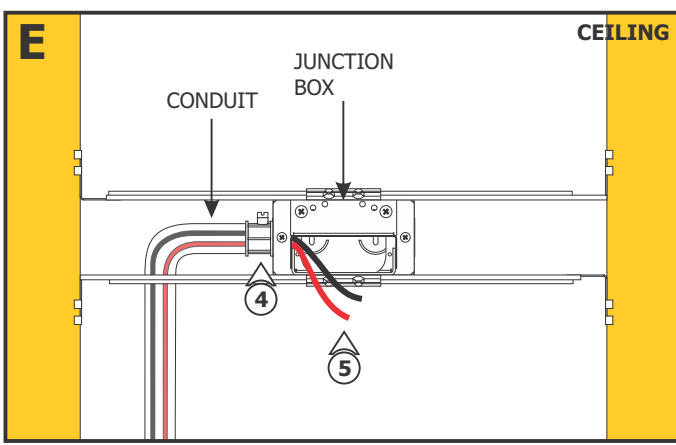
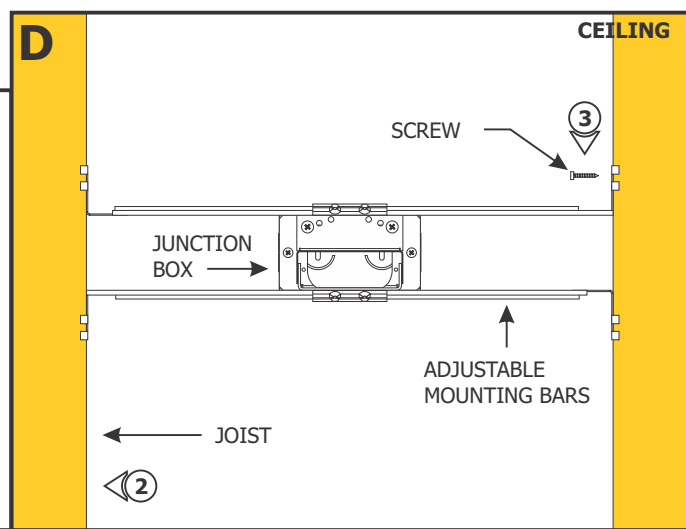
**NOTE:** Omit this section if using 4" Square Split Canopy.

**1:** Mount each adjustable mounting bar to one side of the junction box (mounts to any side of the housing depending on the orientation of the channel) and secure them with the mounting brackets and two Phillips screws provided.

**NOTE:** The adjustable mounting bars mount to studs/joists that are spaced 14.5"-25" apart.

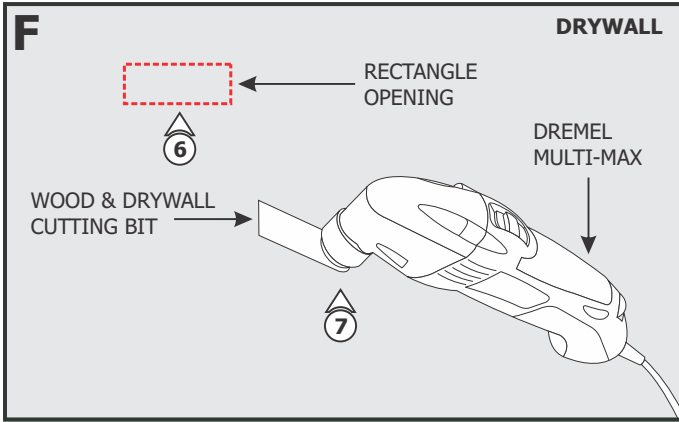
**NOTE:** Ensure the opening of the junction box is aligned with the center of the desired fixture location. If necessary, adjust the junction box location by loosening the screws and sliding the junction box to the proper location. Tighten the Phillips screws after adjusting.

- 2:** Select the location between two ceiling joists to mount the junction box.
- 3:** Place the lips of the adjustable mounting bars against the joists. Secure the adjustable bars to the ceiling joists with the #8 screws.



**NOTE:** Remote power supply must be installed within 40ft of junction box. Ensure remote power supply wires are present in the junction box. Refer to instructions provided with the power supply.

- 4:** Remove a knockout to install a conduit into the junction box.
- 5:** Install conduit(s) (if required by local electrical code) and run low-voltage 24VDC power wires coming from the remote power supply to the junction box.

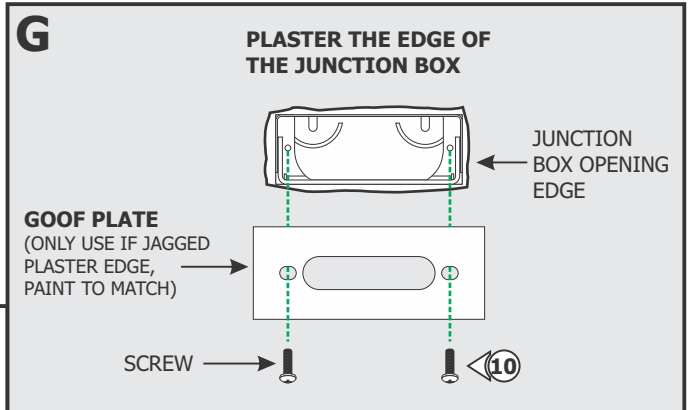


**6:** Mark a rectangle shape on the drywall where the junction box opening will be located depending on the selected position.

**7:** Cut out the marked rectangle opening, using a "Dremel Multi-Max" with the "wood & drywall" cutting bit.

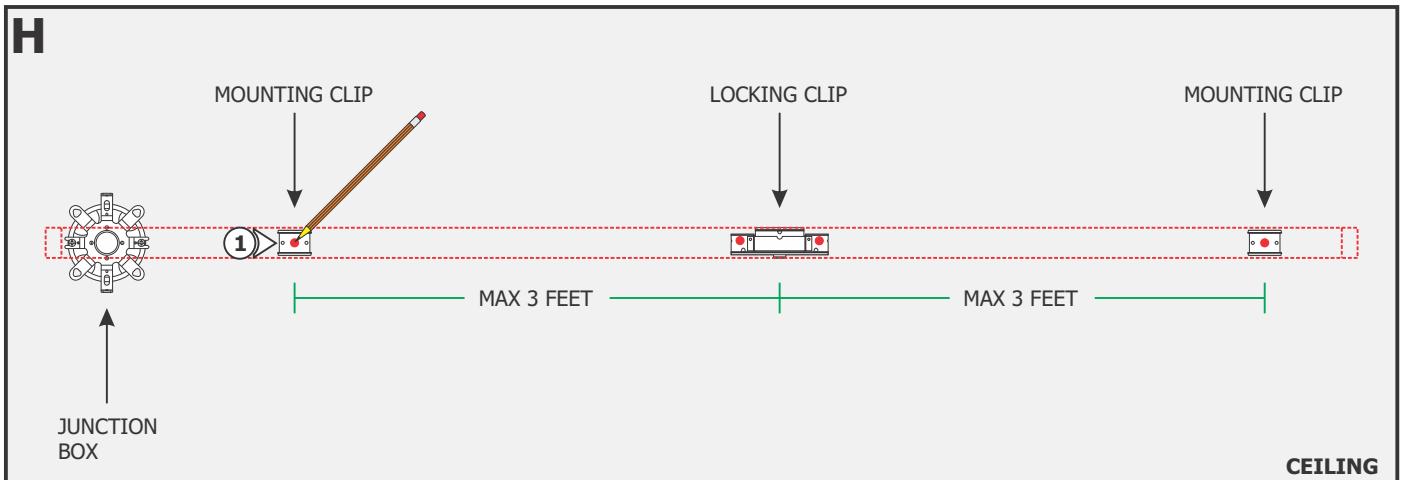
**8:** Install & finish drywall.

**9:** Complete installation by following steps in Section Four.



**10: Optional:** Use the Goof Plate if the junction box opening has imperfection/ jagged edges. Install the provided goof plate (paint to match prior) with the two screws.

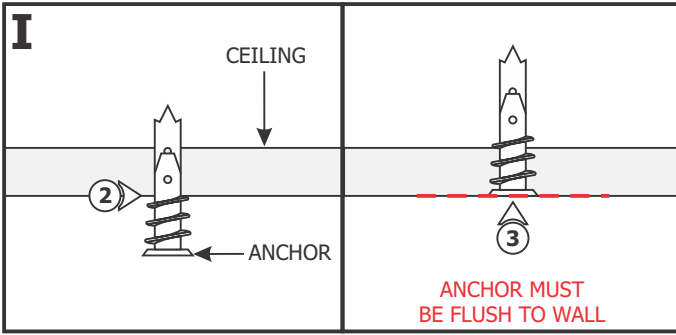
## Section Four: Install the Fixture for Both Versions



**NOTE:** 4" Square Split Canopy Version shown for demonstration purposes.

**NOTE:** The channel must pass through the center of the junction box.

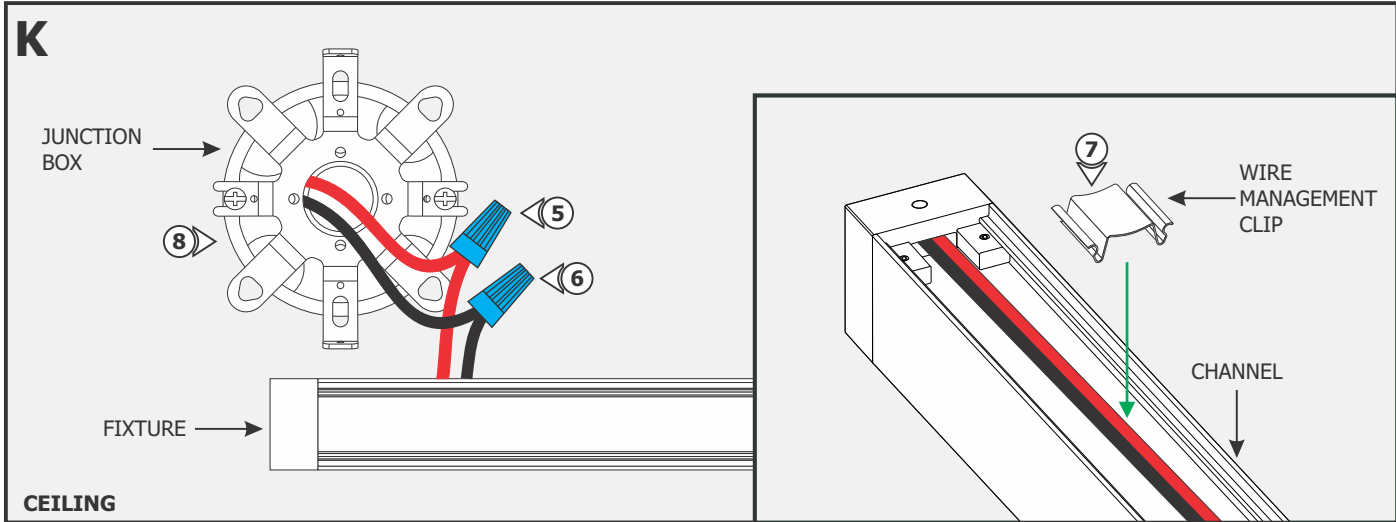
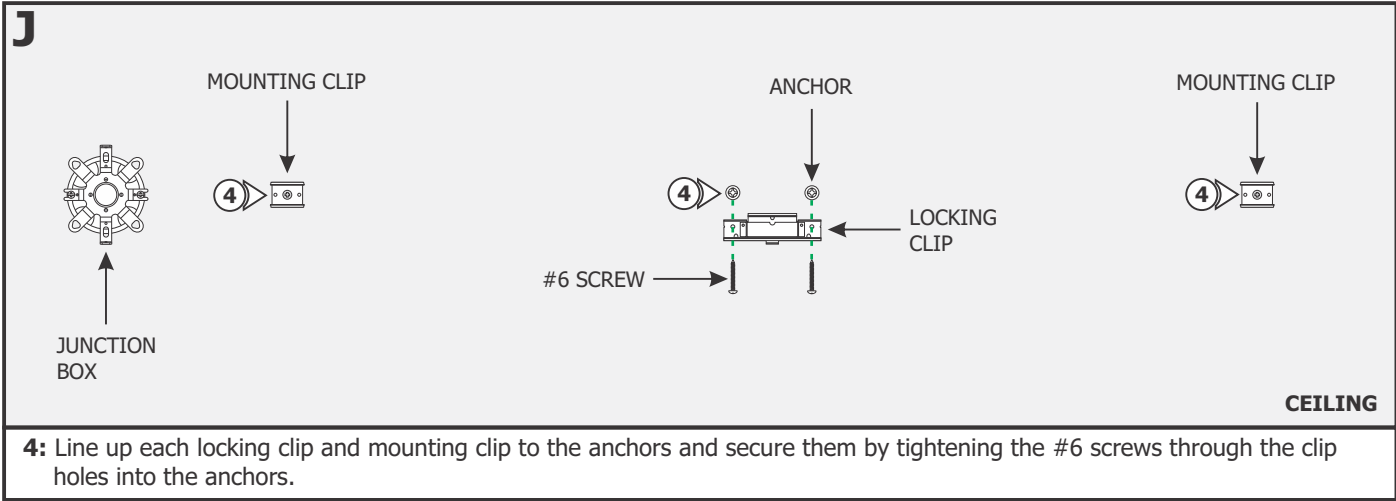
**1:** Begin installation using side of the channel with power wire. Lay channel to the desired location & make all necessary markings on the ceiling which will consist of the channel ends, mounting clips and locking clips. Clips must be installed maximum 3ft from each other.



**NOTE:** Steps 2 and 3 are for drywall mounting. Omit these steps if mounting the clips to a wood surface directly.

**2:** Tap the anchors onto the marked points up to the threaded portion with a hammer.

**3:** Screw in the threaded portion of the anchors with a Phillips screwdriver.

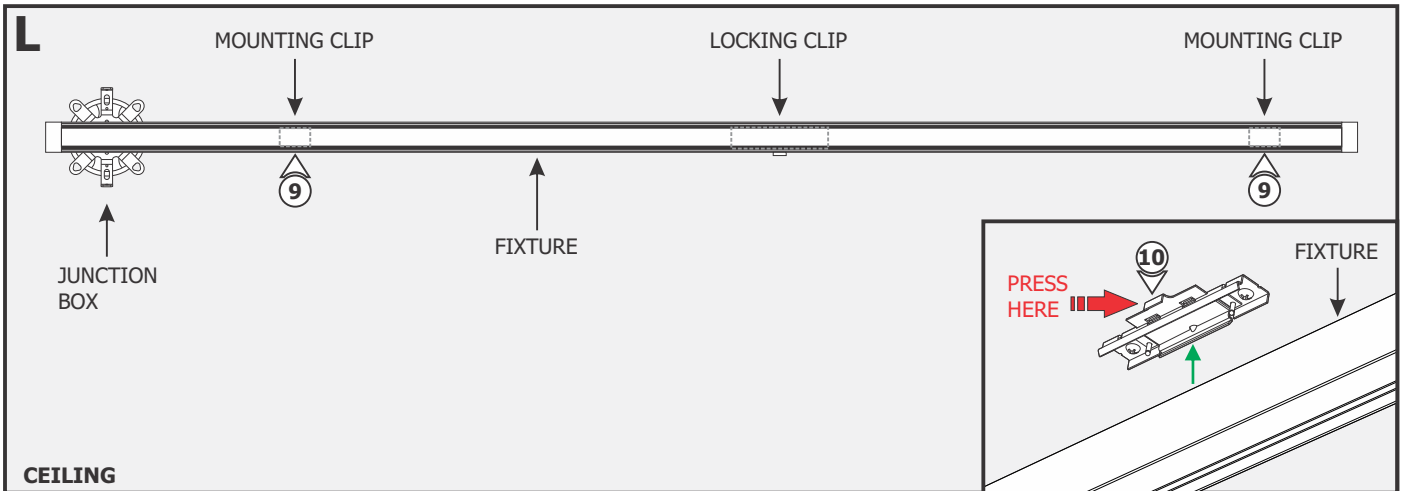


**5:** Connect the low voltage +24VDC power supply wire to the red wire of the fixture with a wire nut.

**6:** Connect the low voltage -24VDC power supply wire to the black wire of the fixture with a wire nut.

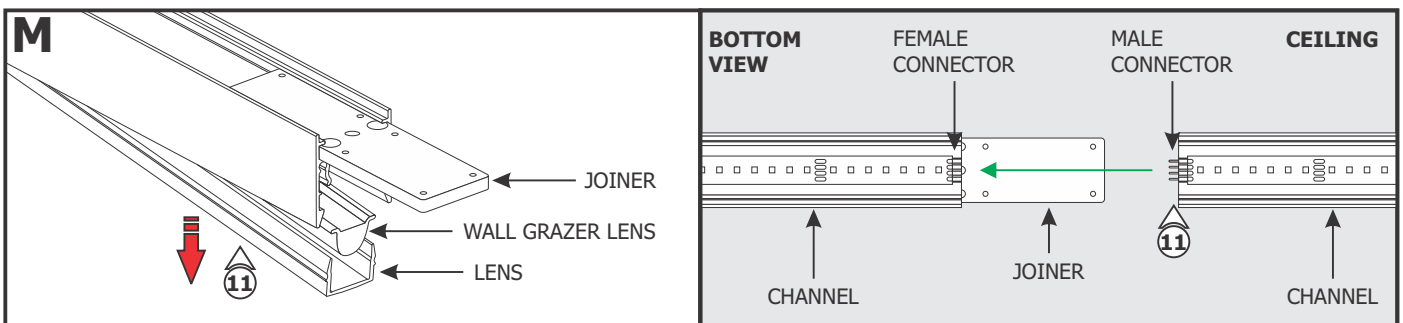
**7:** If necessary, snap the wire management clip to the channel to hold the wires in place.

**8:** Place all wire nut connections inside the junction box.



**9:** Carefully SNAP the channel onto the mounting clips. Make sure not to nick the wires.

**10:** Press the side of each locking clip to lock the fixture in place.



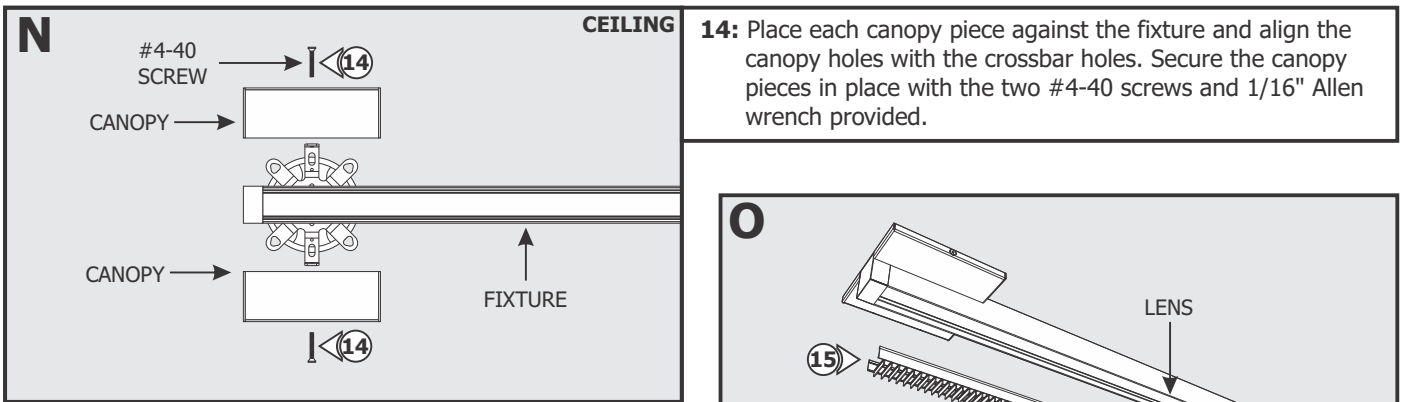
**NOTE:** Omit steps 11 through 13 if the channel is made out of a single piece (120" or less).

**NOTE:** If applicable, multiple channels must be installed to the ceiling one by one.

**11:** Lift a section of the lens at the end of the channels where the connectors are visible. Slide the channel over the joiner bracket making sure that the male & female connectors mate properly. Push the lens back into the channel.

**12:** Repeat steps 9 and 10 to snap and lock the channels in place.

**13:** Continue to connect additional channels one at a time until the fixture is complete.

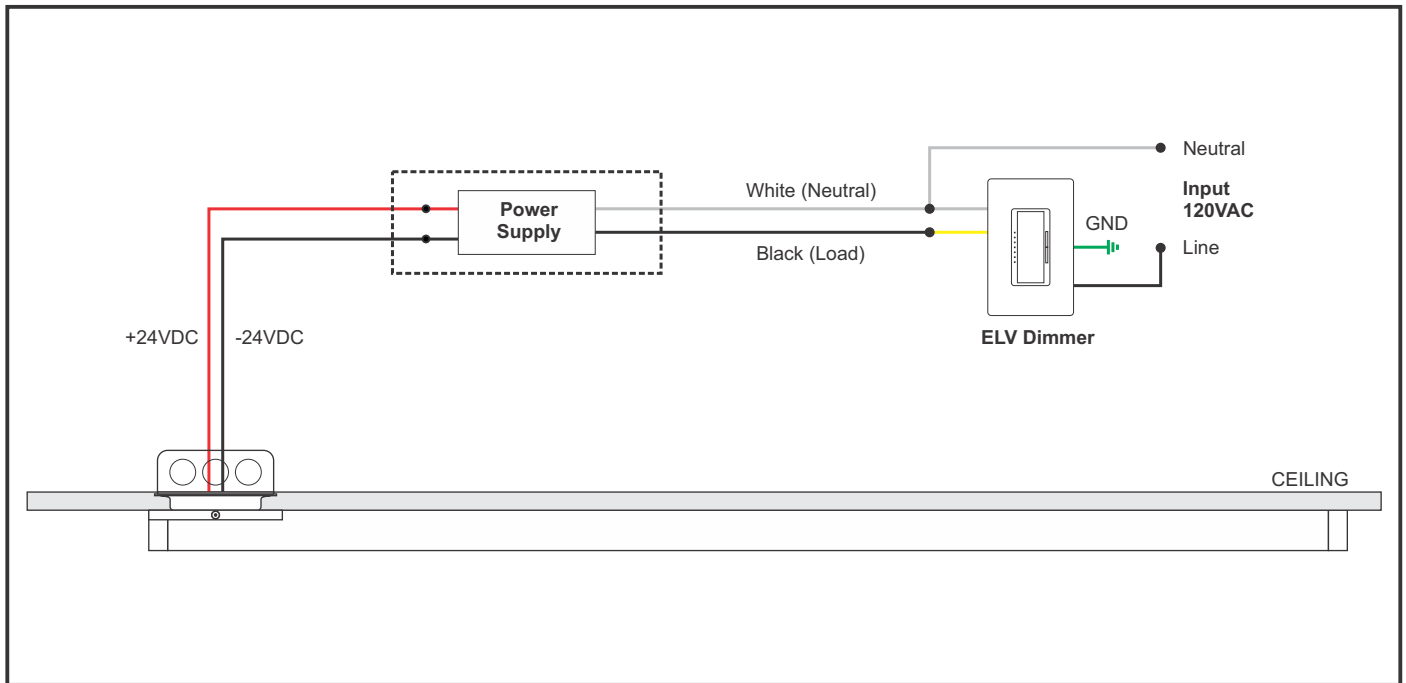


**14:** Place each canopy piece against the fixture and align the canopy holes with the crossbar holes. Secure the canopy pieces in place with the two #4-40 screws and 1/16" Allen wrench provided.

**15:** Install the optional louver over the lens (this might already be installed).

| 96W, 24VDC LOW VOLTAGE WIRE SIZE CHART |                               |            |           |           |            |
|--|-------------------------------|------------|-----------|-----------|------------|
| 3%<br>VOLTAGE<br>DROP                  | WIRE LENGTH<br>IN FT          | UP TO 33FT | 35FT-52FT | 53FT-86FT | 87FT-130FT |
|  | WIRE SIZE                     | 14 AWG     | 12 AWG    | 10 AWG    | 8 AWG      |
|  | VOLTAGE AT END<br>OF THE WIRE | 23.28VDC   | 23.29VDC  | 23.28VDC  | 23.28VDC   |

### General ELV Wiring Diagram



### General 0-10V Wiring Diagram

