



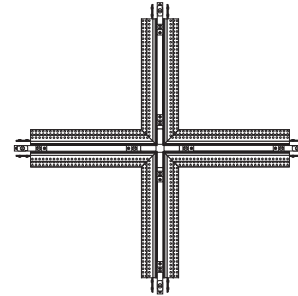
1718 W. Fullerton Chicago, IL 60614
 Ph: 773.770.1195 • Fax: 773.935.5613
 www.PureEdgeLighting.com • info@PureEdgeLighting.com
 © 2016 PureEdge Lighting. All Rights Reserved.

Installation Instructions for TruTrack Magnetic Two Circuit, Recessed 24VDC - X-Shaped Power Connector

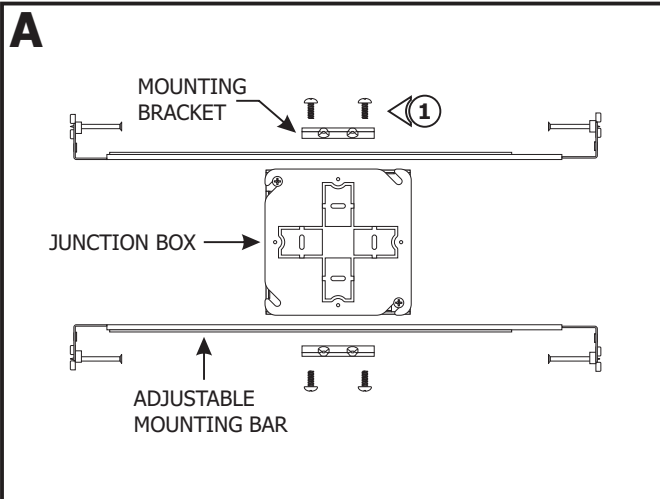
TR24M-2C-XP

IMPORTANT INFORMATION

- This product is for indoor dry locations only.
- This instructions shows a typical installation.
- Before beginning any electrical work, ensure that the power to the electrical box is off.

SAVE THESE INSTRUCTIONS!


Section One: Install the Junction Box

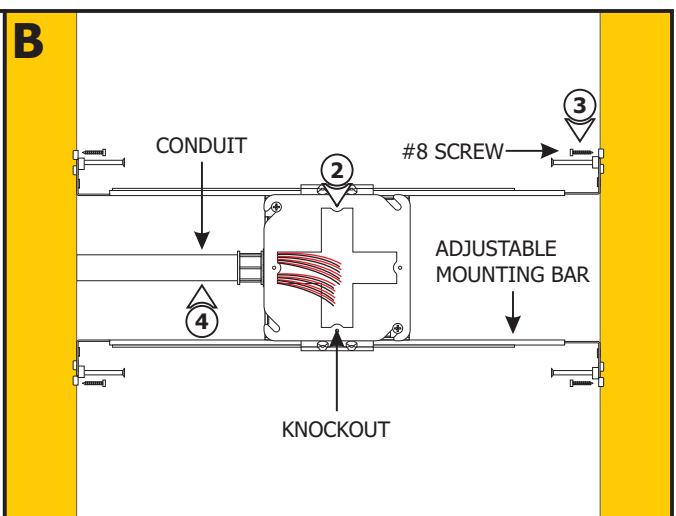


- 1:** Mount each adjustable mounting bar to one side of the junction box and secure them with the mounting brackets and two Phillips screws provided.

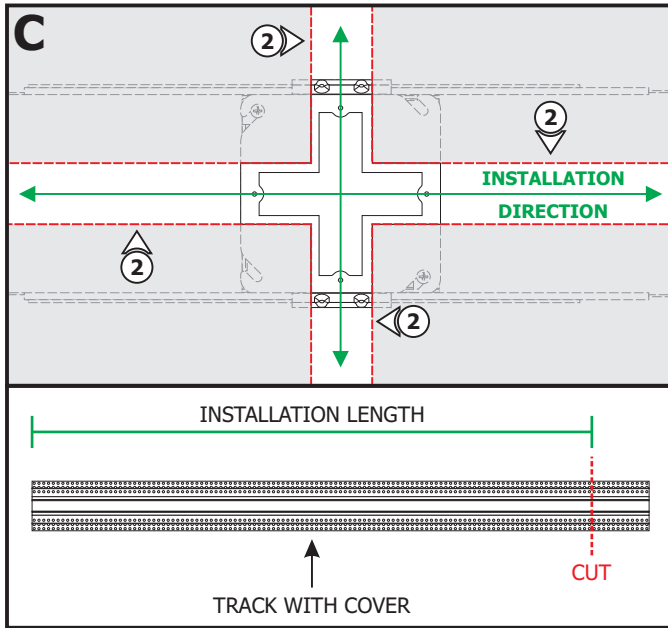
NOTE: Adjustable mounting bars mount to studs that are spaced 14.5" to 25" apart.

- 2:** Select the appropriate knockouts on the mounting plate and remove it using a flathead screwdriver or other appropriate tool.
- 3:** Place the adjustable mounting bar tabs against the ceiling joists. Secure the adjustable bars to the joists with the #8 screws.
- 4:** Run the Class 2 24VDC low voltage wires coming from the remote power supplies to the junction box. Only install conduit if required by local electrical codes.

NOTE: Only use 0-10V and UNI power supplies with this product. See the wiring diagram provided with the power supply instructions.



Section Two: Install X-Shaped Power Feed



1: Cut a section of drywall to expose the junction box area. Install the drywall.

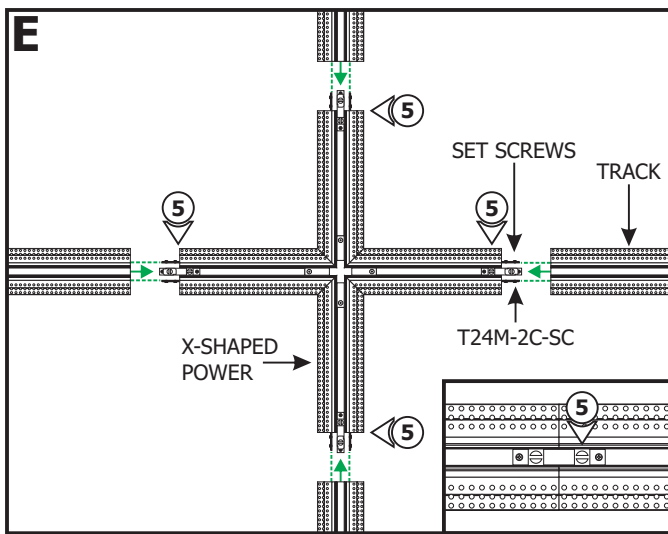
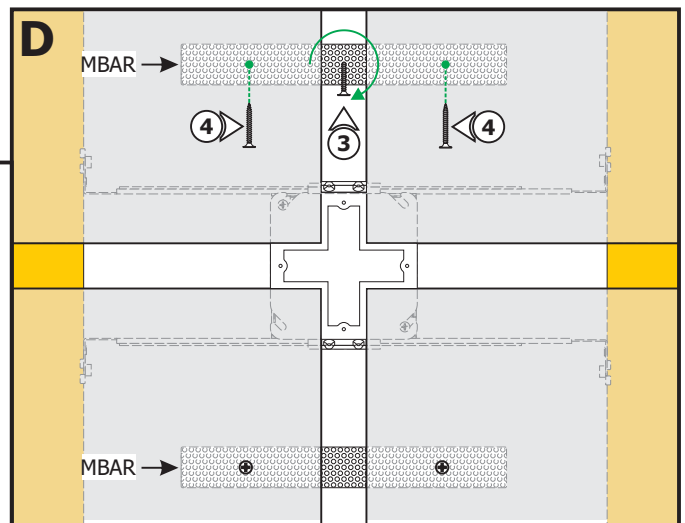
2: Mark and cut out the area where the installation will be located using the junction box opening as a guide.

NOTE: Refer to the TruTrack Recessed Channel instructions to measure and cut the track and cover before continuing.

NOTE: Ensure all ends of the connector are supported with either a joist or mounting strap. To install the track without standard-spaced joists, install perforated mounting straps.

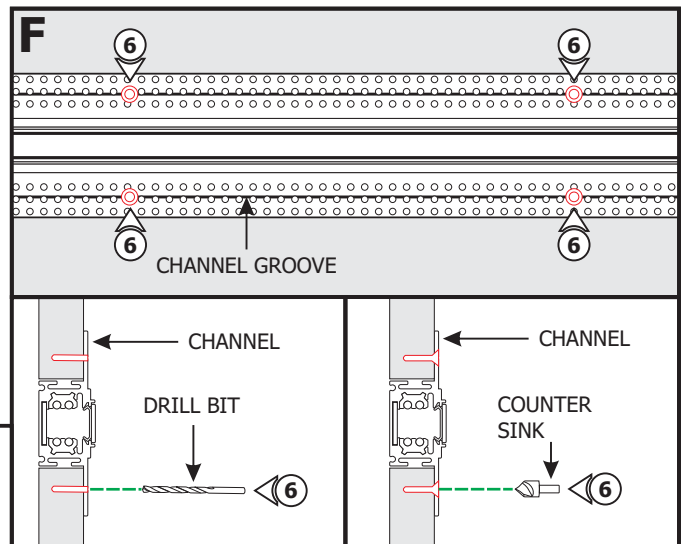
3: For each mounting strap (**MBAR**), thread a drywall screw into the perforated material. Use the screw to hold and place the mounting strap behind the drywall, and then rotate it in place.

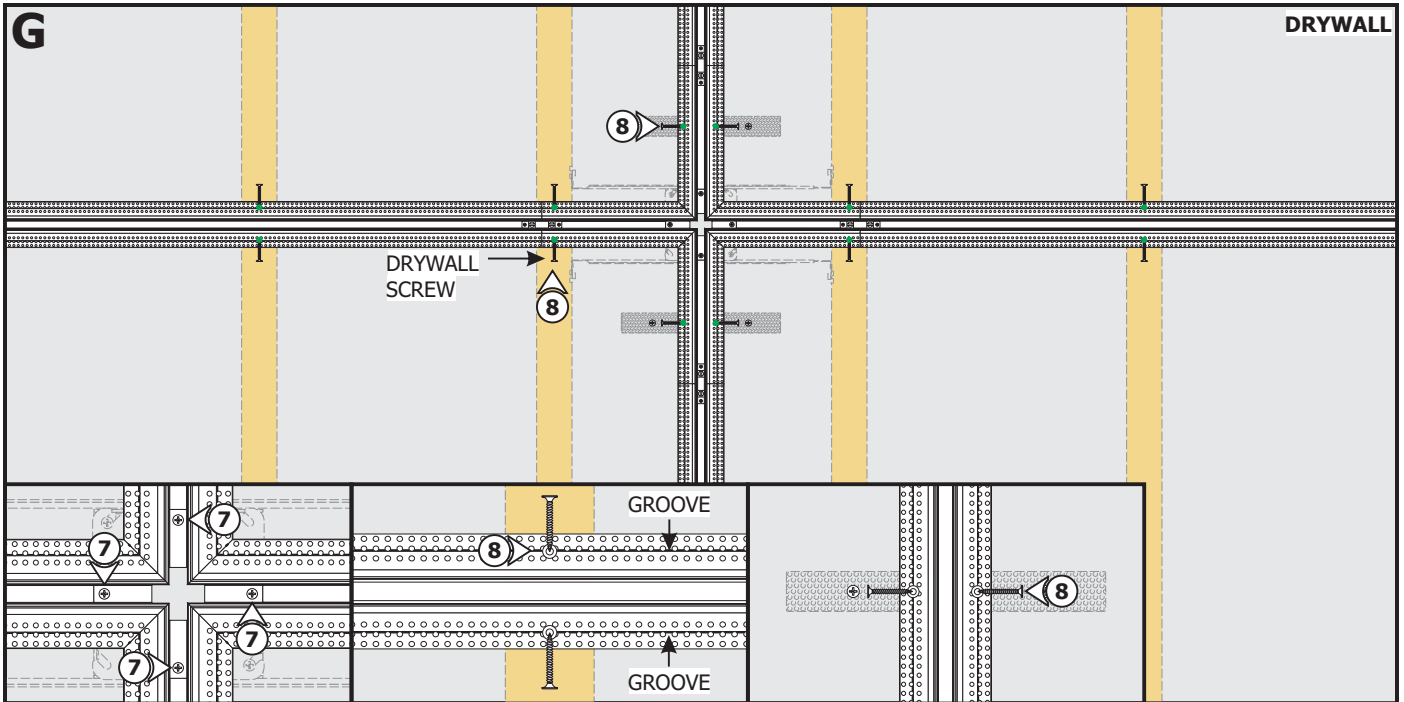
4: Secure the mounting straps to the drywall on each side of the junction box using two drywall screws. Mark the location of the mounting strap on the drywall.



5: Align and slide tracks over the straight connectors (**T24M-2C-SC**) on the ends of the X-Shaped Power Feed. Tighten the set screws using an Allen wrench and the slotted screw on the straight connector using a flat-head screw driver.

6: Place the assembled channel in the drywall cutout. Using the marked locations on the drywall, drill and countersink the channel using the provided square drill with counter sink bit.

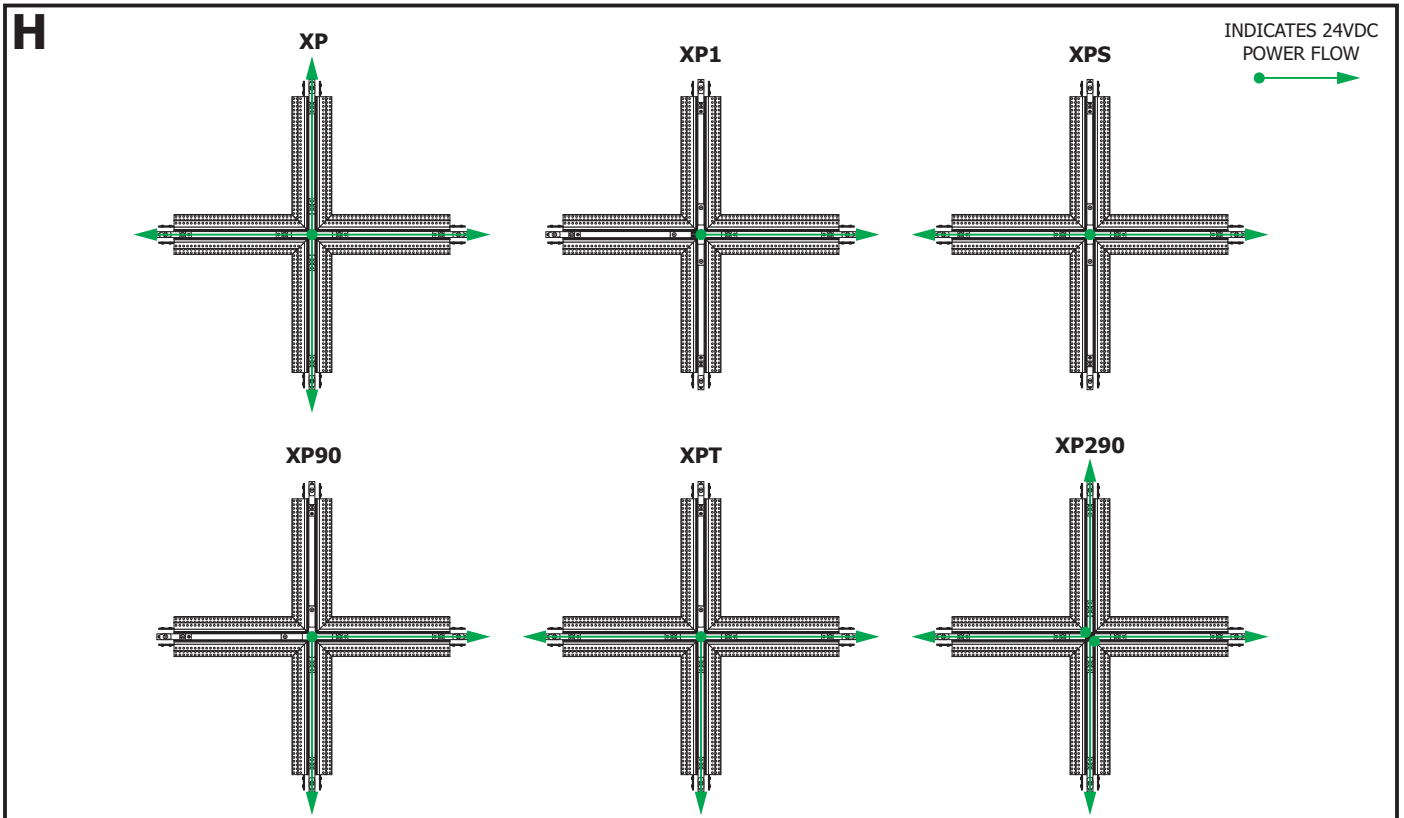




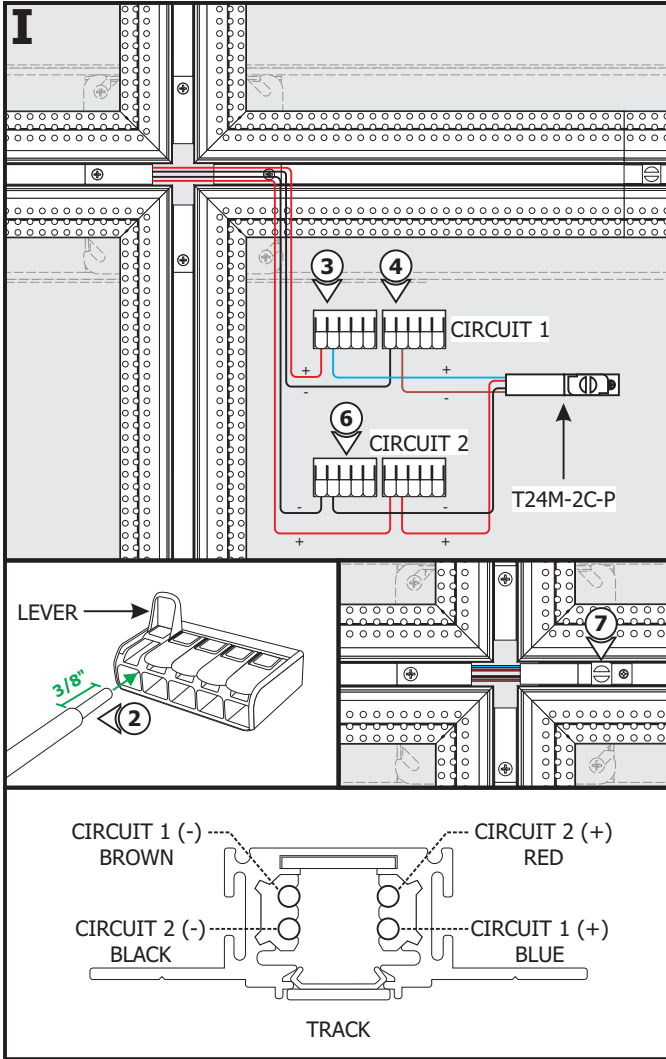
7: Secure the X-Shaped Power Feed to the junction box with the four Phillips screws.

8: Properly secure the channel to the marked joists and mounting straps using drywall screws (**DO NOT over tighten**). Ensure all screw heads are flush with the channel surface.

Section Three: Power the Fixture



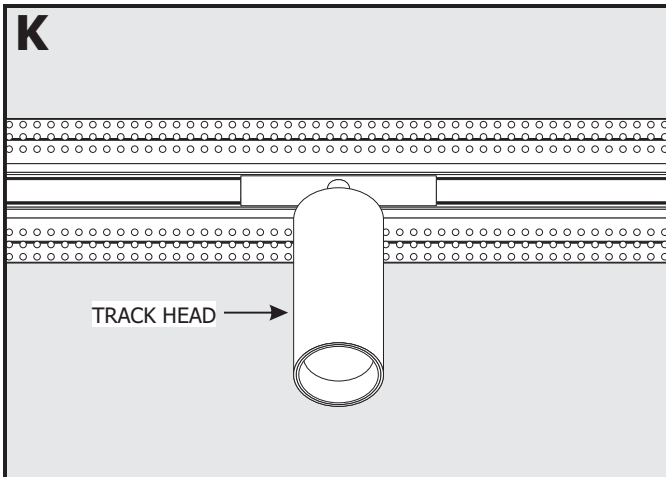
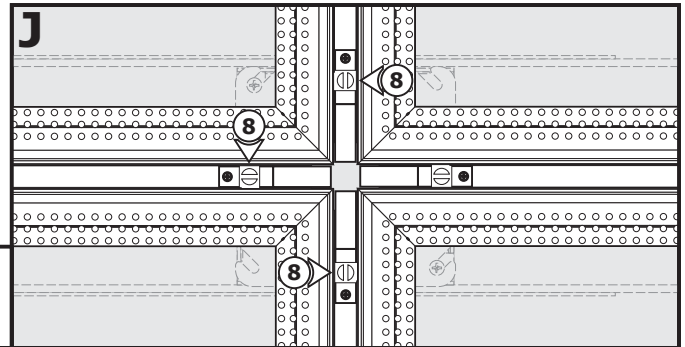
1: The X-Shaped Power Feed joins four sections of track together and conduct power to all channels; all four channels (**XP**), one channel (**XP1**), straight through two channels (**XPS**), two channels in a 90° turn (**XP90**), three channels in a T-Shape (**XPT**), and four sections in two 90° turns (**XP290**).



NOTE: Depending on the design, discard any unused Power Feed Connectors. Refer to the general wiring diagrams on pages 5 and 6.

- 2:** Strip 3/8" off of the Power Feed Connector (**T24M-2C-P**) wires and the low voltage power supply wires.
- 3:** Pull up the levers of one lever nut and insert the low voltage +24VDC power supply wire and the Circuit 1 +24VDC blue wire from one Power Feed Connector. Push the levers down to connect and lock into place.
- 4:** Pull up the levers of the other lever nut and insert the low voltage -24VDC wire from the same power supply and the Circuit 1 -24VDC brown wire from the same Power Feed Connector. Push the levers down to connect and lock into place.
- 5:** Lightly tug on the wires to ensure they are secured in place. Place the lever nut connections inside the junction box one at a time.
- 6:** Repeat steps 2 through 5 to connect the Circuit 2 +24VDC red wire and -24VDC black wire from the same Power Feed Connector to the +24VDC wire and -24VDC wire of the second power supply respectively.
- 7:** Place the Power Feed Connector inside the X-Shaped Power Feed and tighten the slotted screw with a flat-head screw driver to secure in place.

8: Depending on the design, repeat steps 2 through 7 to connect the remaining Power Feed Connector to the remaining power supplies.

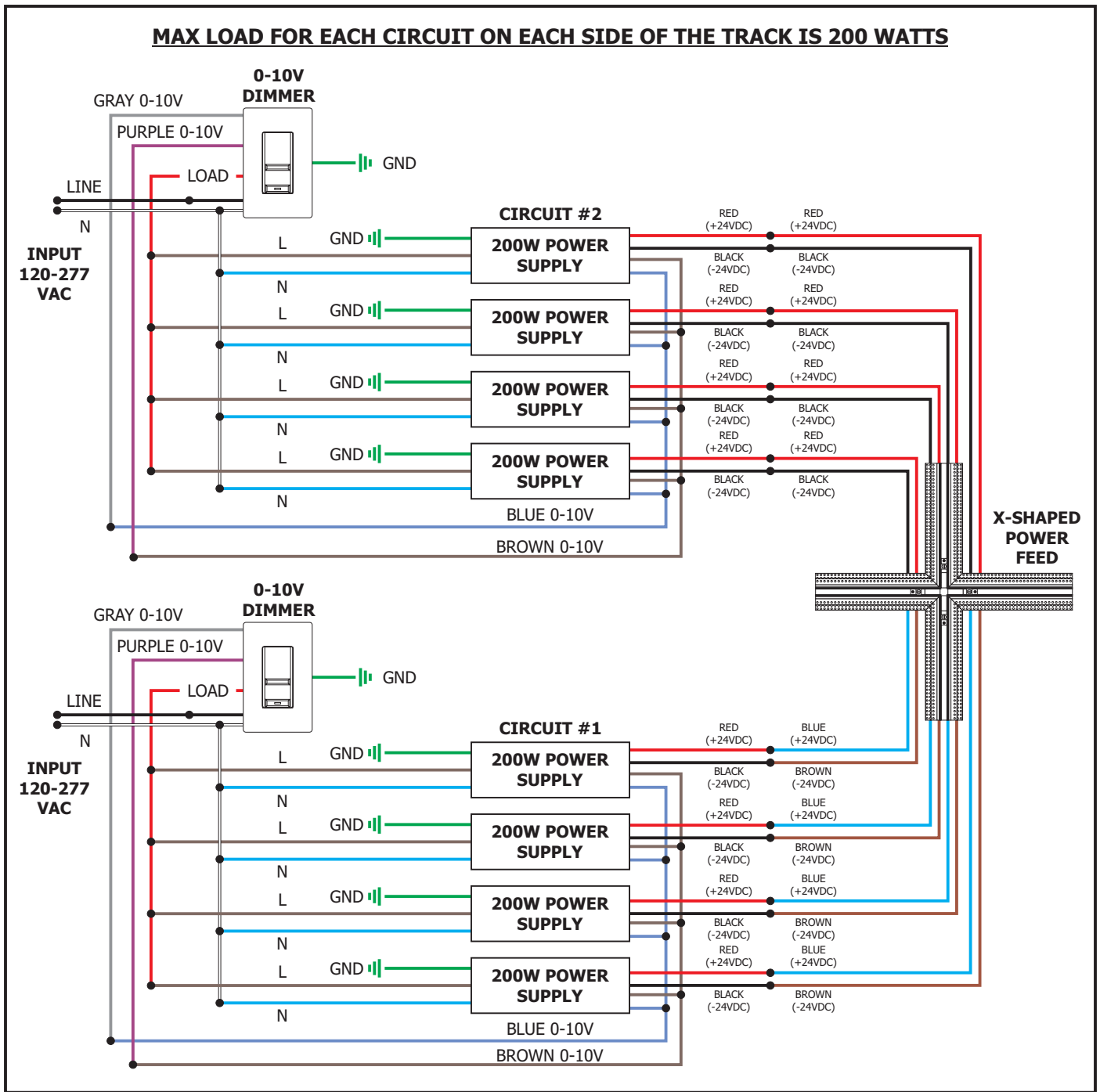


CAUTION: Test the circuits using a track head before plastering.

NOTE: Refer to the TruTrack Recessed Channel instructions to plaster and complete the installation.

General Wiring Diagram

MAX LOAD FOR EACH CIRCUIT ON EACH SIDE OF THE TRACK IS 200 WATTS



MAX LOAD FOR EACH CIRCUIT ON EACH SIDE OF THE TRACK IS 200 WATTS

