



1718 W. Fullerton Chicago, IL 60614
 Ph: 773.770.1195 • Fax: 773.935.5613
 www.PureEdgeLighting.com • info@PureEdgeLighting.com
 © 2016 PureEdge Lighting. All Rights Reserved.

Installation Instructions for Vanishing Point Tubo Large Down Light LED 24VDC

V_-HW24-TUBLD_-

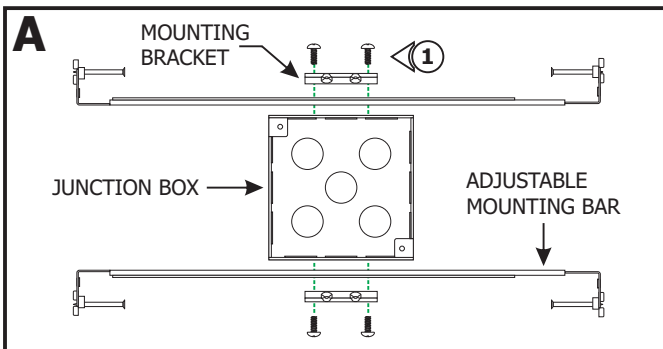
IMPORTANT INFORMATION

- This instruction shows a typical installation.
- This product is ceiling mount.



SAVE THESE INSTRUCTIONS!

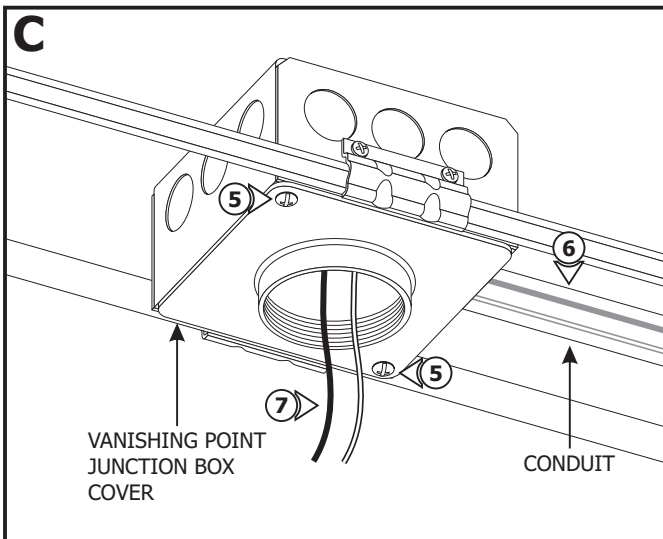
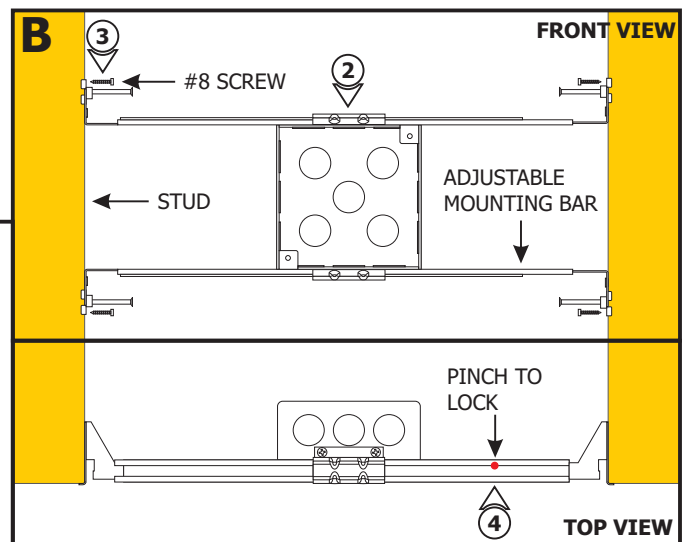
Section One: Install the Junction Box



- 1:** Mount each adjustable mounting bar to one side of the junction box and secure them with the mounting brackets and two Phillips screws provided.

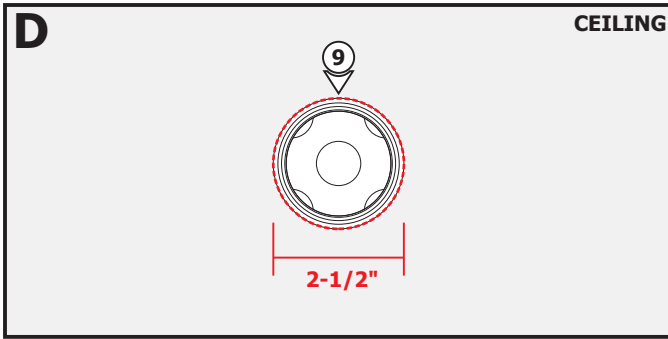
NOTE: Adjustable mounting bars mount to studs that are spaced 14.5" to 25" apart.

- 2:** Select the location between the two studs for the junction box to be mounted.
- 3:** Place the adjustable mounting bar tabs between the studs. Secure the adjustable bars to the studs with the #8 screws.
- 4:** Pinch anywhere on the inner edge of the mounting bars to lock in place.



- 5:** Install the Vanishing Point junction box cover to the junction box using two #8-32 screws.
- 6:** Remove a knockout to install a conduit into the junction box. Install conduit(s) (if required by local electrical code).
- 7:** Run the line voltage wires to the junction box.
- 8:** If using remote power supply, then run the low-voltage 24V wires coming from the remote power supply to the junction box.

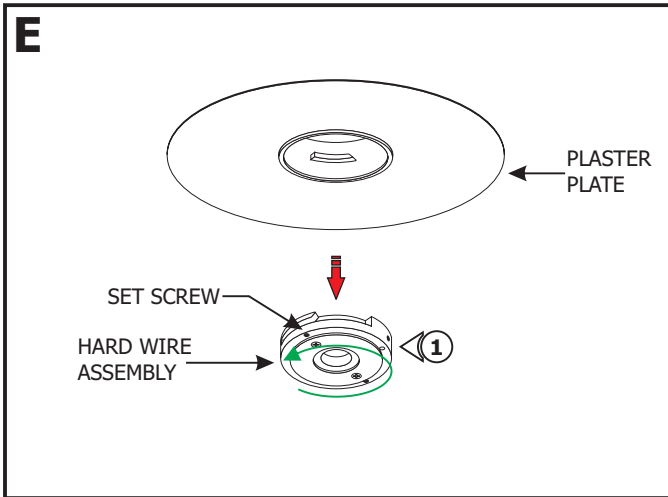
NOTE: Ensure remote power supply wires are present in the junction box. Refer to instructions provided with the power supply.



9: Use a 2-1/2" hole saw to cut out the drywall section where the junction box opening is located.

10: Install the drywall. If necessary, plaster and finish the drywall.

Section Two: Install the Fixture

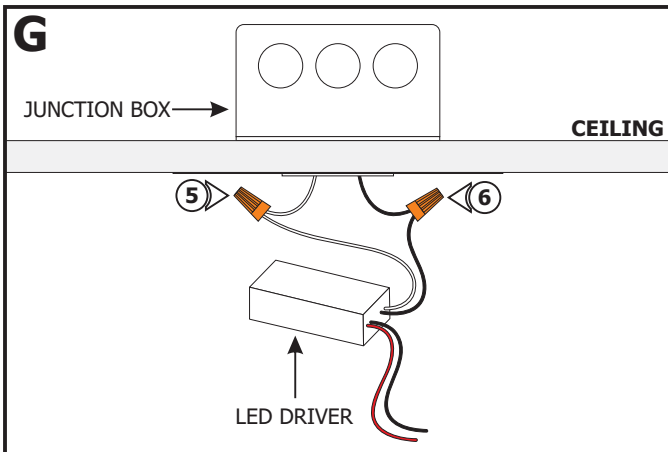
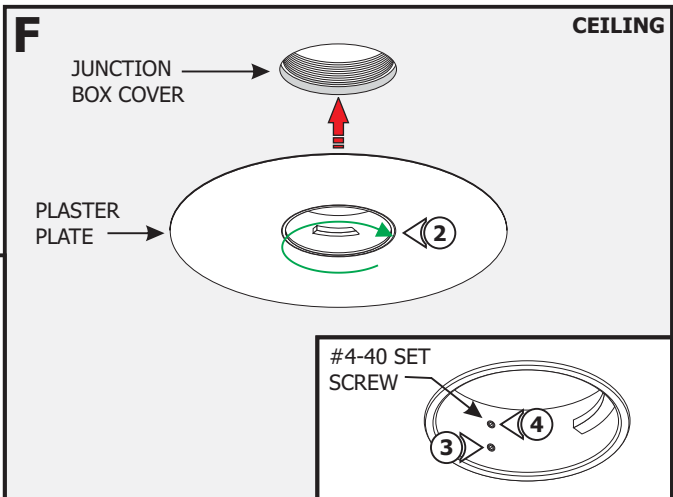


1: Loosen (**Do Not Remove**) the #4-40 set screws on the Hard Wire assembly using a 0.05" Allen wrench and rotate the Hard Wire assembly counter clockwise to remove from the Plaster Plate.

2: Screw the plaster plate clockwise into the junction box cover, ensuring the plate is tight.

3: If the drywall is 5/8" thick, tighten the bottom #4-40 set screw inside the plaster plate using a 0.05" Allen wrench.

4: If the drywall is 3/4" and thicker, tighten the top #4-40 set screw inside the plaster plate using a 0.05" Allen wrench.



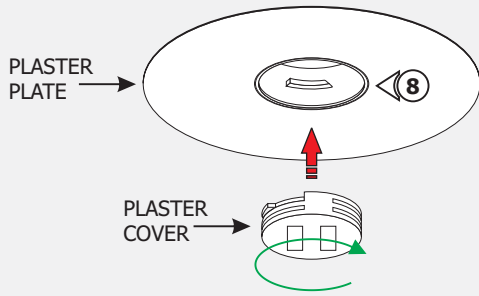
NOTE: Steps 5 through 7 are for the 24V power supply included inside the junction box. Omit these steps if using remote power supply.

NOTE: Make sure the junction box is grounded in accordance to local electrical codes.

5: Connect the white LED driver wire to the neutral power wire with a wire nut.

6: Connect the black LED driver wire to the hot power wire with a wire nut.

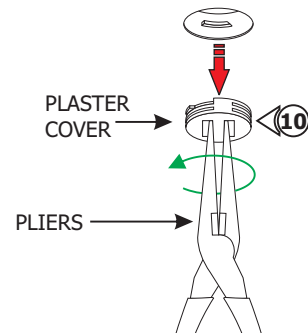
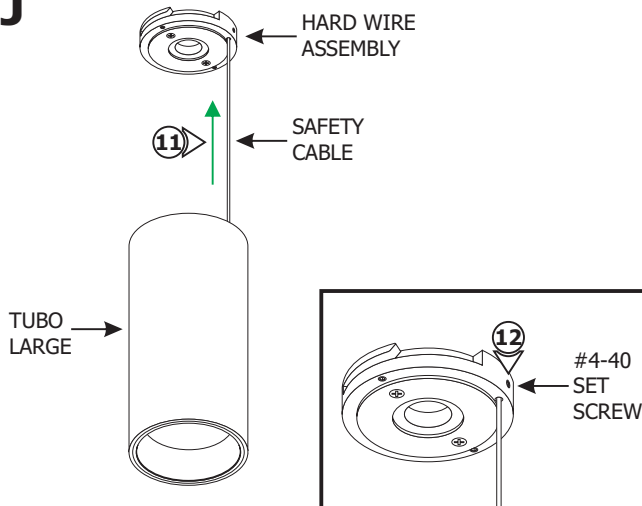
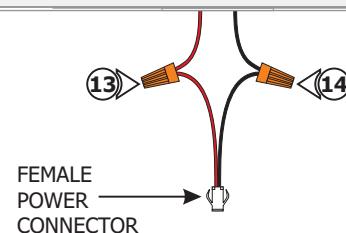
7: Place the LED driver and wire nut connections inside the junction box.

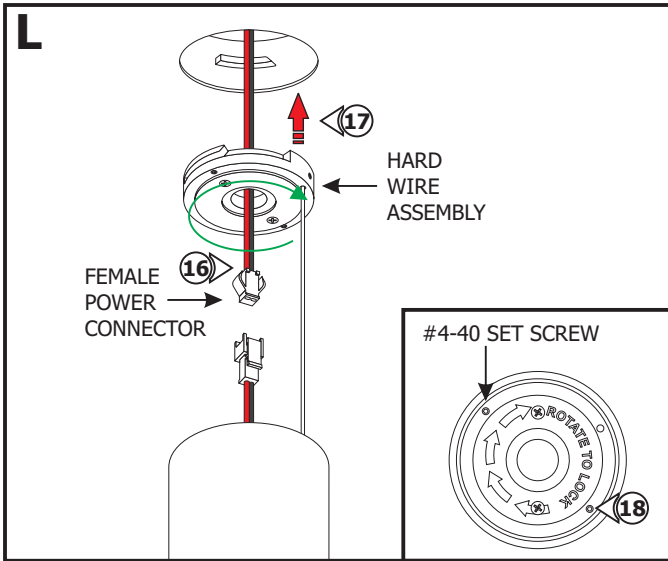
H**CEILING****8:** Rotate the plaster cover clockwise into the plaster plate.**9:** Plaster, sand and paint the surface.

NOTE: For areas with lots of vibration, it is suggested to use Durabond to avoid cracking of plaster.

NOTE: **Do Not use premixed joint compound "Soft Mud."**
No use compuesto para juntas premezclado "Soft Mud."

NOTE: Recommended plaster method: 1st Coat - Durabond 45 with 8" Blade, 2nd Coat - Easy Sand 45 with 10" Blade, 3rd Coat with 12" Blade

I**10:** Use pliers to rotate the plaster cover counter clockwise and remove it. Clean the hole.**J****11:** Insert the safety cable on the Tubo Large track head into the hole on the Hard Wire assembly.**12:** Tighten the #4-40 set screw on the side of the assembly using a 0.05" Allen wrench.**13:** Connect red wire of the female power connector to the +24VDC power supply wire using a wire nut.**14:** Connect the black wire of the female power connector to the -24VDC power supply wire using a wire nut.**K**



15: Place all wire nut connections inside the junction box.

16: Feed the female power connector through the Hard Wire assembly.

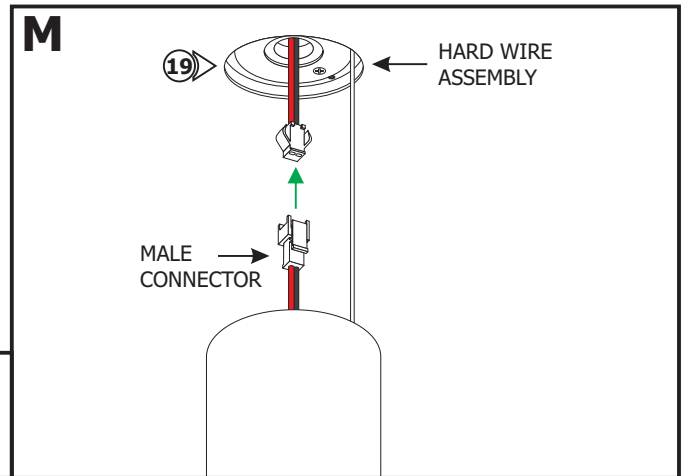
17: Insert the Hard Wire assembly into the opening and rotate clockwise to lock in place.

18: Tighten the #4-40 set screws using a 0.05" Allen wrench to secure in place.

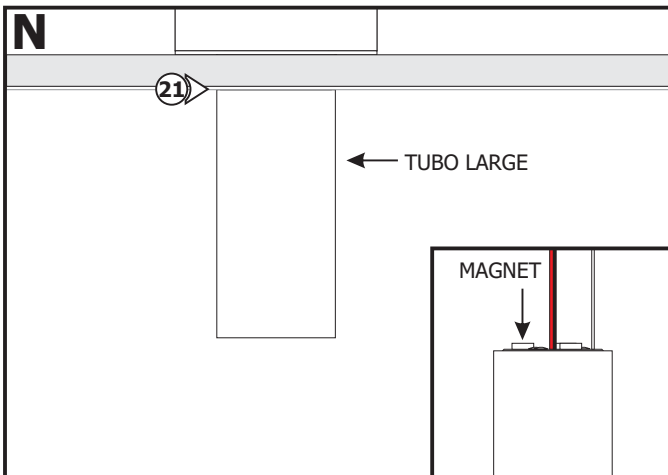
NOTE: Test the fixture.

19: Push to snap the female power connector to the male connector of the Tubo Large track head.

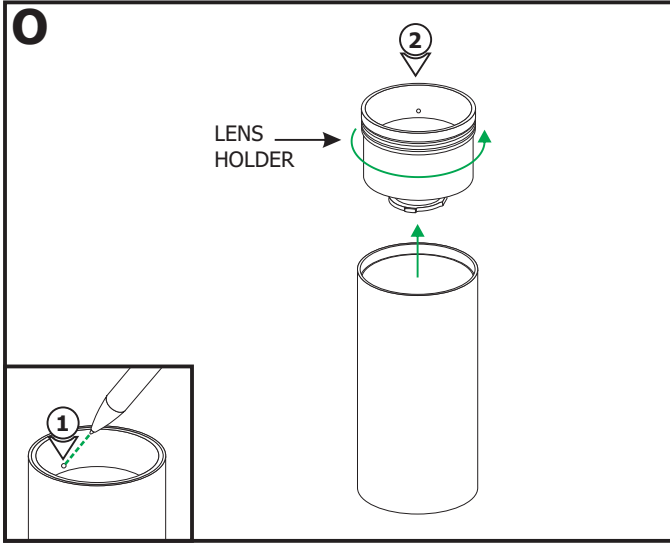
20: Place the power connectors inside the junction box.



21: Place the Tubo Large track head over the Hard Wire assembly. The magnets on the back will keep the track head in place.



Section Three: Replace the Lens



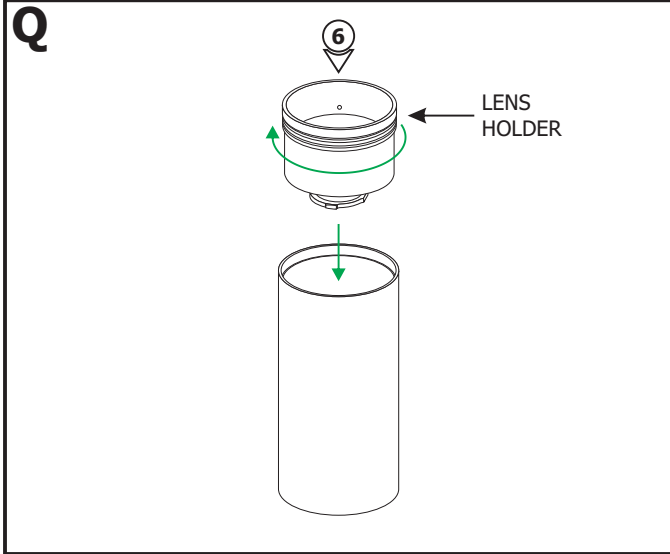
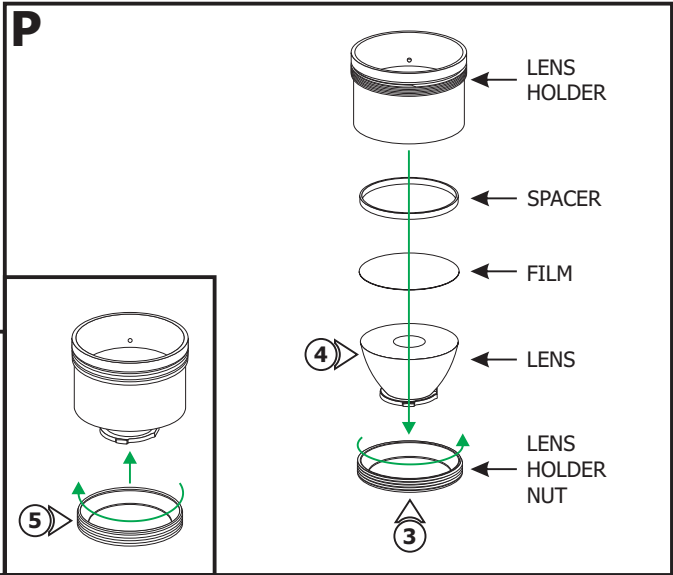
1: Use a pen or small Allen wrench to loosen the lens holder.

2: Unscrew the lens holder counter-clockwise and remove it from the fixture.

3: Unscrew the lens holder nut counter-clockwise and remove the lens, film, and spacer.

4: Replace the lens. Place the film and spacer in front of the lens and into the lens holder.

5: Screw the lens holder nut back into the lens holder clockwise to secure in place.



6: Screw the lens holder back clockwise to secure in place.

General Wiring for Remote Power

