



1718 W. Fullerton Chicago, IL 60614  
 Ph: 773.770.1195 • Fax: 773.935.5613  
 www.PureEdgeLighting.com • info@PureEdgeLighting.com  
 © 2016 PureEdge Lighting. All Rights Reserved.

# Installation Instructions for Zip Suspension Downlight with Remote Power and 4" Square or Round Canopy

ZSD-4S \_ \_  
 ZSD-4R \_ \_

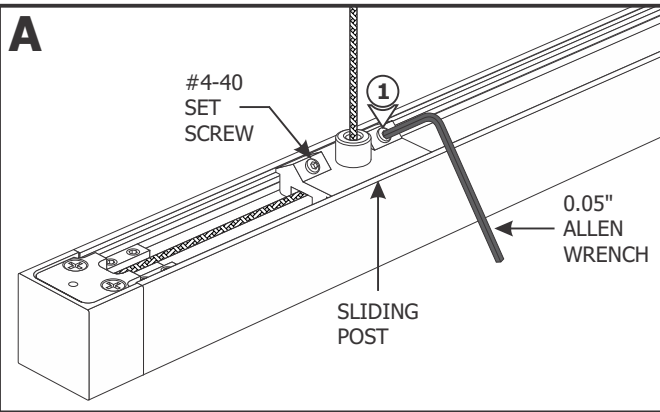
## IMPORTANT INFORMATION

- This product is suitable for indoor locations.
- This instruction shows a typical installation.
- It is recommended more than one person to assist in this installation.

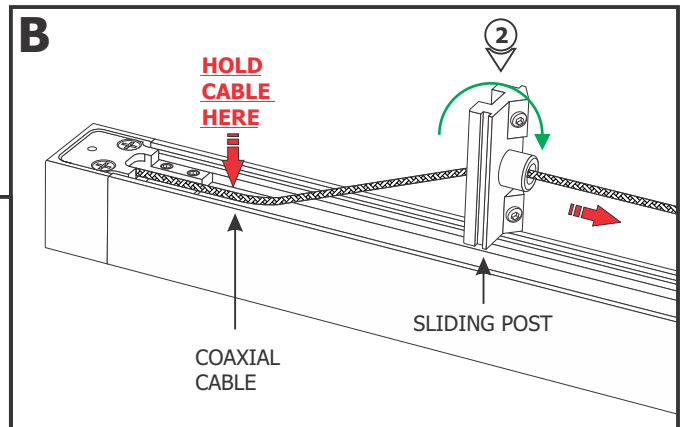
**SAVE THESE INSTRUCTIONS!**



## Section One: Adjusting Cable Position

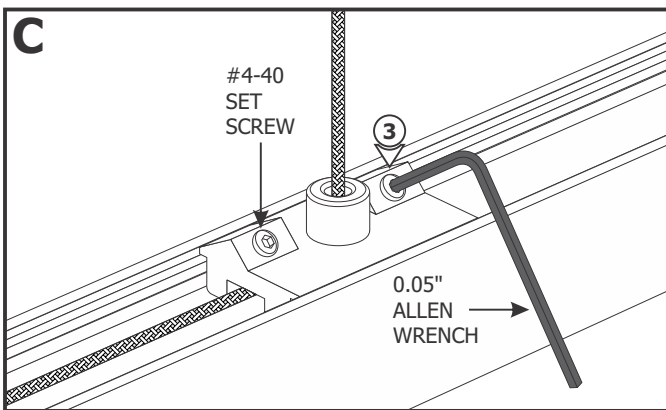


**1:** Loosen (**DO NOT REMOVE**) the two #4-40 set screws on the sliding post with a 0.05" Allen wrench.

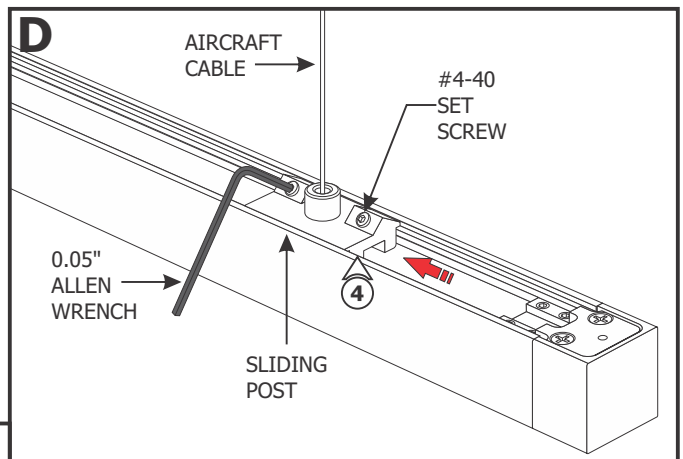


**WARNING:** To avoid damaging the coaxial cable electrical connection, make sure that the end of the coaxial cable coming out of the fixture is held with thumb before relocating sliding posts.

**2:** Remove the sliding post from the channel. Carefully rotate and move the sliding post to the predetermined location on the channel.

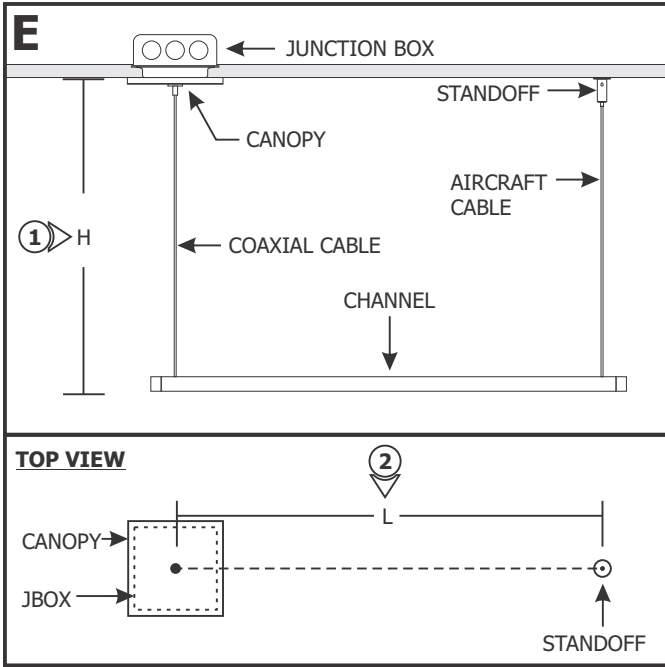


**3:** Place the sliding post back onto the channel and secure it by tightening the two #4-40 set screws with the 0.05" Allen wrench.



**4:** Repeat Steps 1 through 3 for aircraft cables.

## Section Two: Install the Standoff



**NOTE:** Run the proper size wires between the 24VDC power supply to the electrical box. Refer to the instructions provided with the power supply for additional information.

**NOTE:** Omit Section Five if the channel is made out of a single piece.

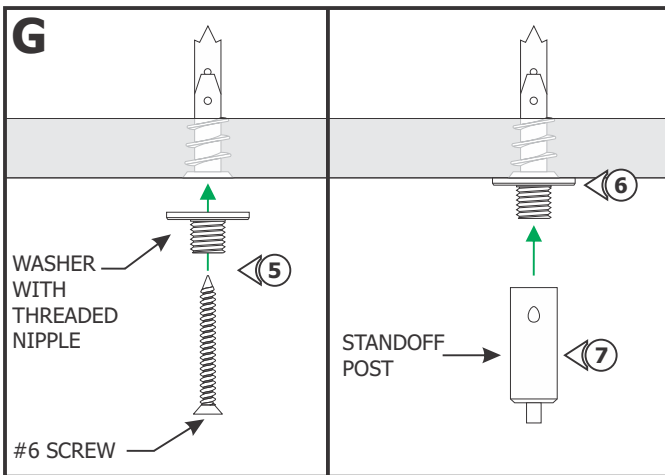
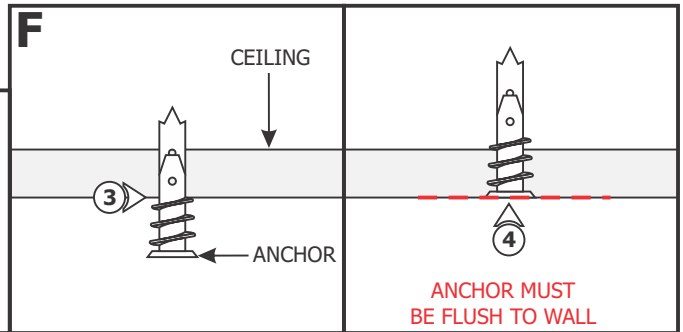
**1:** Determine the fixture height (H) from the bottom of the channel to the top of the canopy.

**2:** Determine the fixture length (L). Measure the distance between the coaxial cable and the aircraft cable on the channel. Mark the standoff location on the ceiling from the center of the junction box.

**NOTE:** Omit steps 3 through 10 if using support canopy. Refer to Section Three: Install the Support Canopy.

**3:** Tap the anchors onto the marked points up to the threaded portion with a hammer.

**4:** Screw in the threaded portion of the anchors with a Phillips screwdriver.



**5:** Feed the #6 screw through the washer with threaded nipple into the anchor.

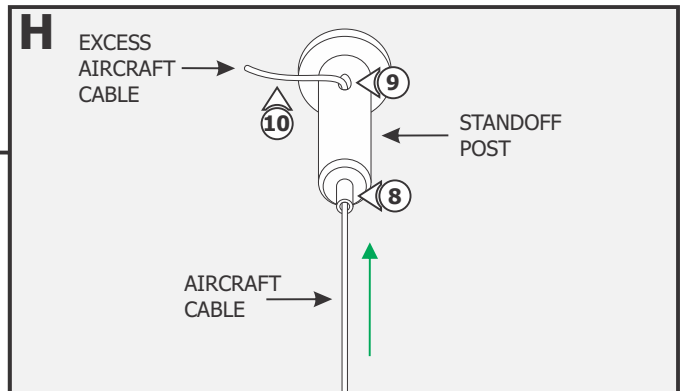
**6:** Tighten the #6 screw completely into the anchor.

**7:** Tighten the standoff post completely onto the threaded nipple.

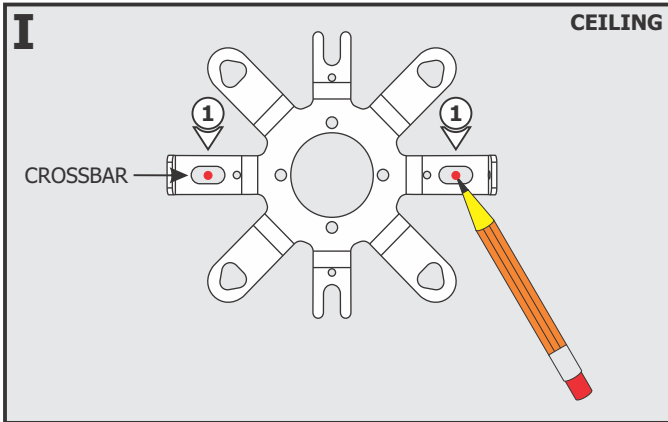
**8:** Feed the aircraft cable coming from the channel through the standoff post.

**9:** Adjust the fixture height by pushing the tab and pulling the aircraft cable out of the side of the standoff post. Release the tab to secure the cable in place.

**10:** If necessary, trim excess aircraft cable using sharp cutters.

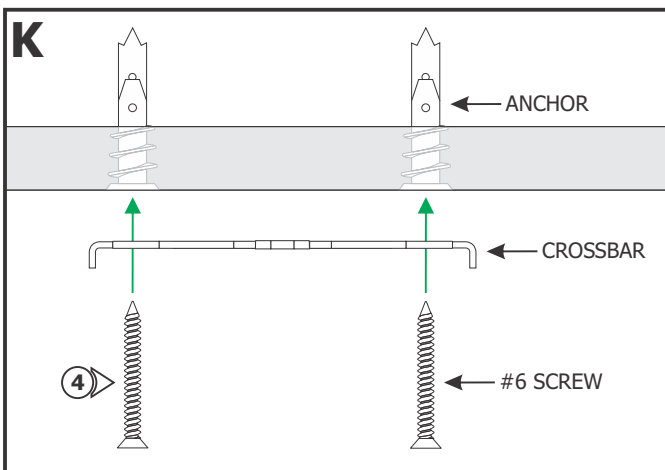
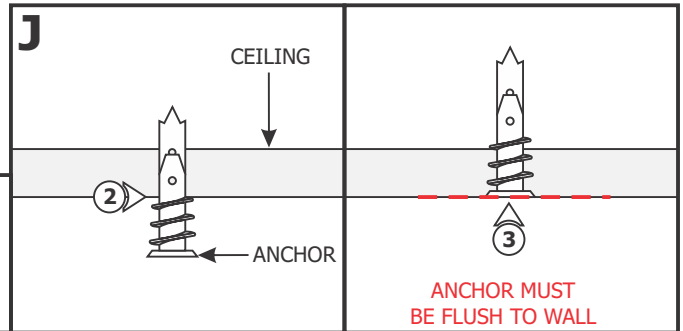


## Section Three: Install the Support Canopy



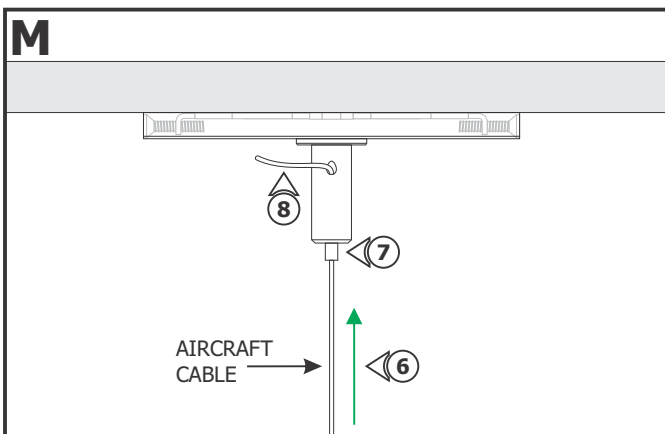
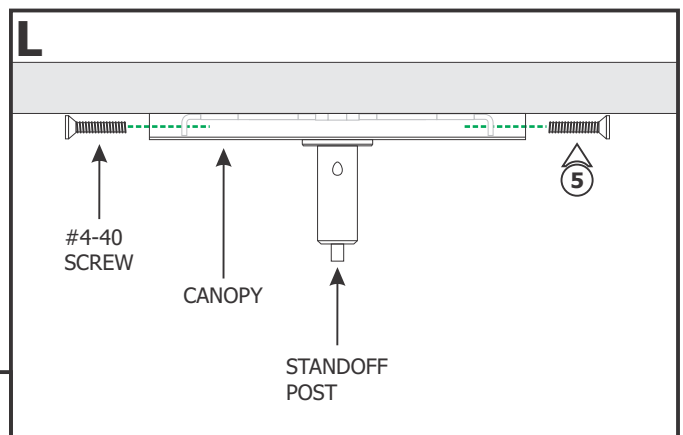
**1:** Mark the points through the crossbar holes onto the ceiling. These points are used for the anchors.

- 2:** Tap the anchors onto the marked points up to the threaded portion with a hammer.
- 3:** Screw in the threaded portion of the anchors with a Phillips screwdriver.



**4:** Secure the crossbar to the anchors using the two #6 screws.

**5:** Align the canopy with the crossbar and secure it using the two #4-40 screws using a 1/16" Allen wrench.

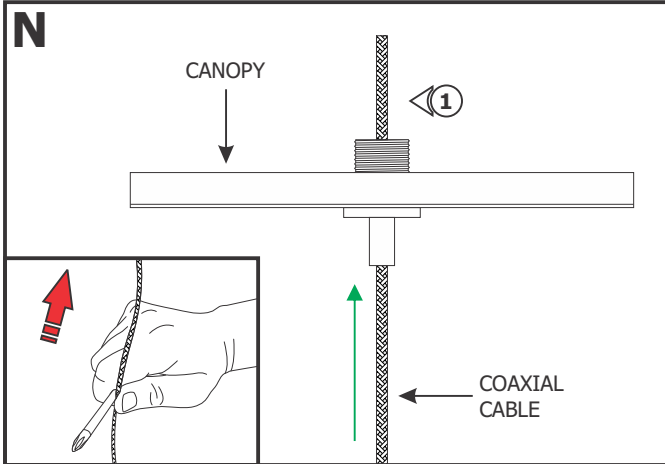


**6:** Feed the aircraft cable coming from the channel through the standoff post.

**7:** Adjust the fixture height by pushing the tab and pulling the aircraft cable out of the side of the standoff post. Release the tab to secure the cable in place.

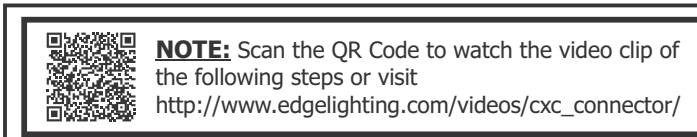
**8:** If necessary, trim excess aircraft cable using sharp cutters.

## Section Four: Power the Fixture



**1:** Feed the coaxial cable through the canopy.

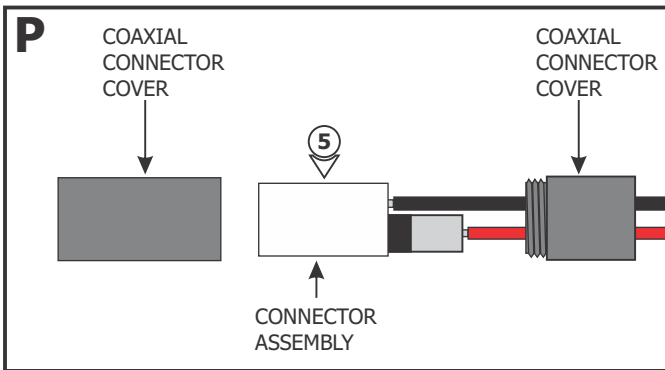
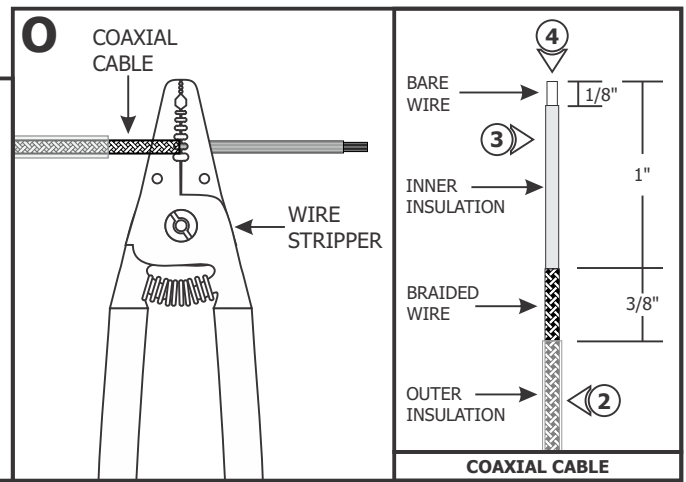
**NOTE:** If cable is curled or kinked, straighten by holding between the shaft of a screwdriver and thumb and pulling the cable through (see inset).



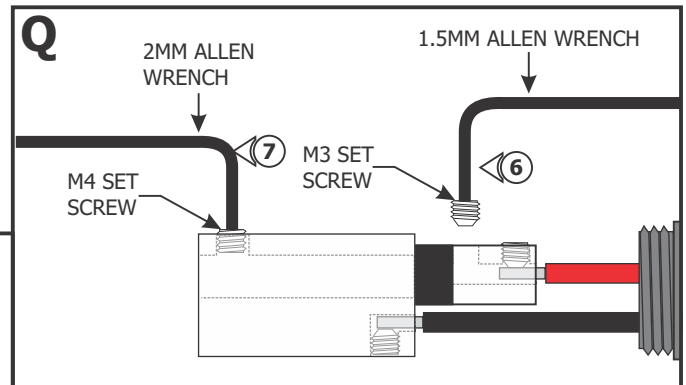
**2:** Use the 18AWG hole of the wire stripper to remove 1-3/8" of the outer insulation to expose the braided wire.

**3:** Use the 18AWG hole of the wire stripper to remove 1" of the braided wire making sure not to nick the inner wire insulation.

**4:** Use the 20AWG hole of the wire stripper to remove 1/8" of the inner insulated wire.

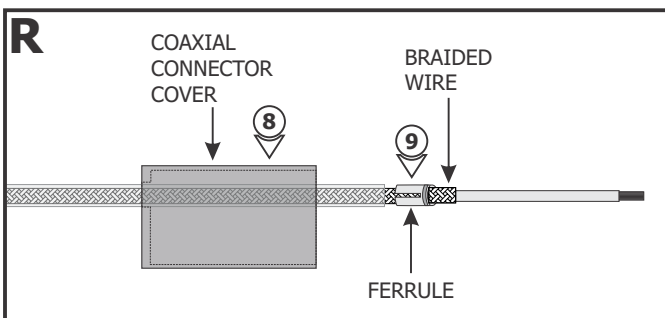


**5:** Unscrew the coaxial connector covers and remove from the connector assembly.



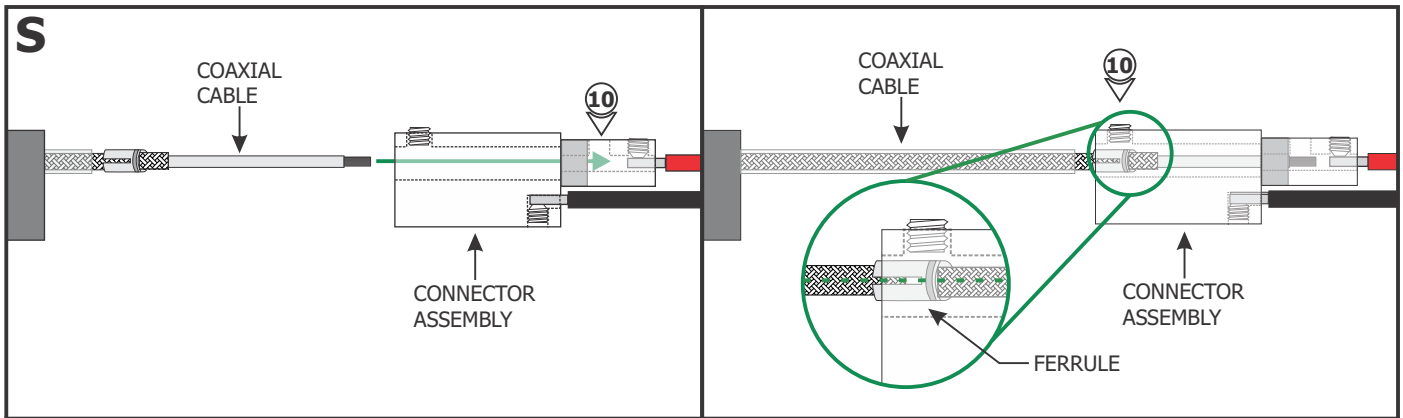
**6:** Using the provided 1.5mm Allen wrench, remove the M3 set screw from the coaxial connector assembly.

**7:** Using the provided 2mm Allen wrench to loosen (**Do Not Remove**) the M4 set screw.



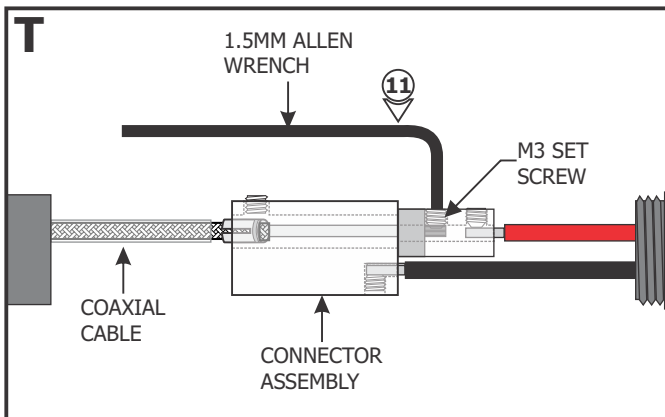
**8:** Slide the connector cover over the coaxial cable.

**9:** Place the ferrule over the 3/8" braided wire of the coaxial cable.

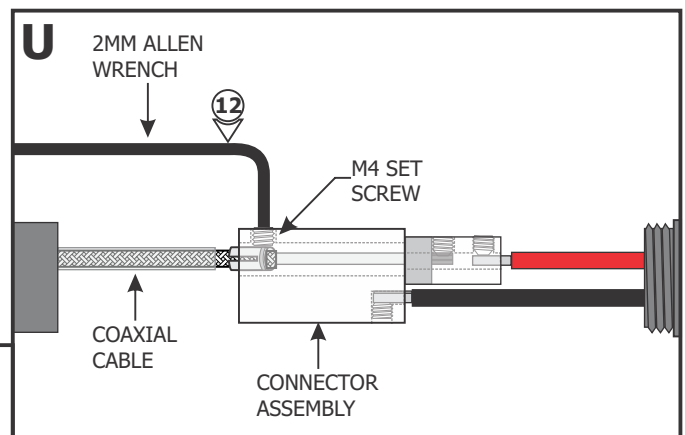


**10:** Insert the coaxial cable into the coaxial connector until the wires of the center conductor are visible through the M3 set screw hole.

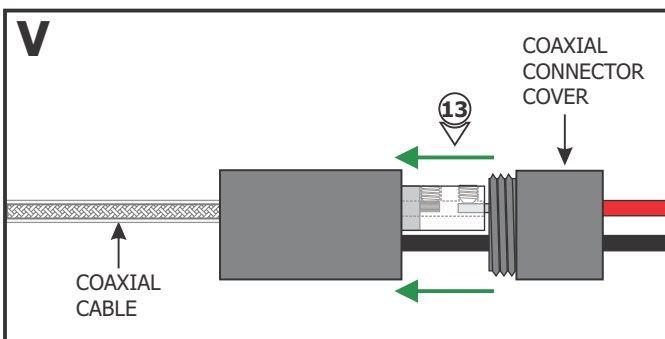
**NOTE:** Ensure that the split in the ferrule is aligned 90° from the M4 set screw (see inset).



**11:** Use the provided 1.5mm Allen wrench to replace and securely tighten the M3 set screw.



**12:** Use the provided 2mm Allen wrench to securely tighten the M4 set screw until it squeezes the wire ferrule tightly to the coaxial cable.

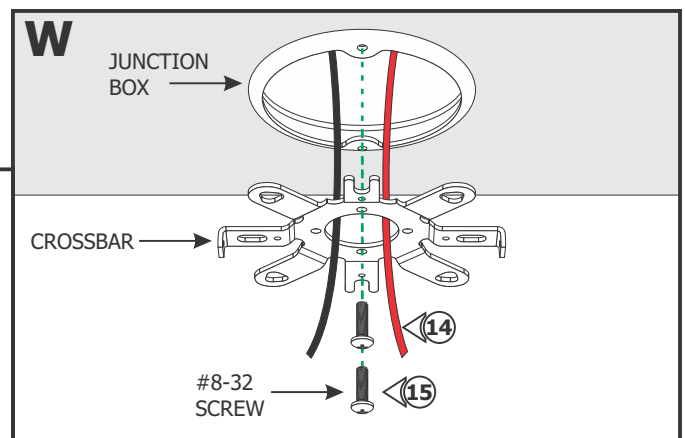


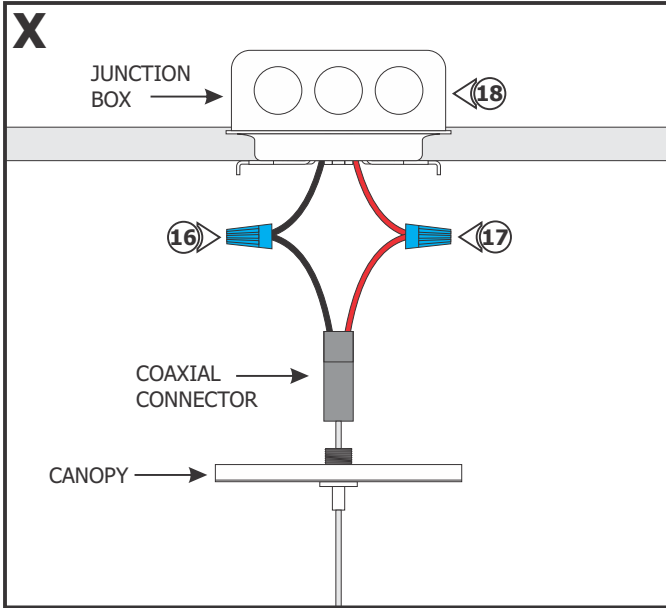
**13:** Replace the coaxial connector cover and tighten into place.

**NOTE:** Ensure remote power supply wires are present in the junction box. Refer to instructions provided with the power supply.

**14:** Feed the low voltage wires from the power supply through the crossbar center hole.

**15:** Mount the crossbar to the junction box holes with two #8-32 screws.





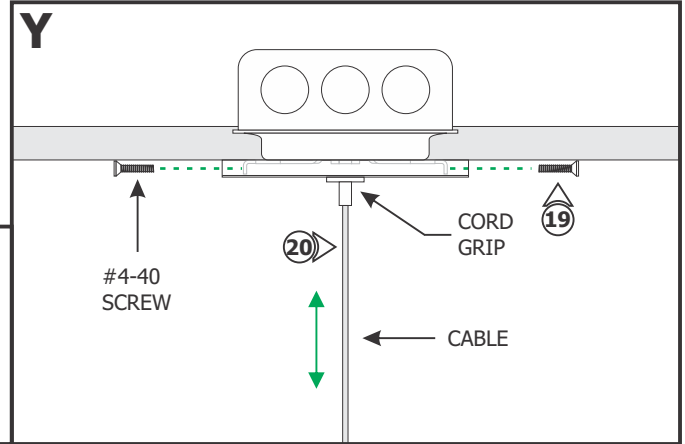
**16:** Connect the black wire of the coaxial connector to the -24VDC power supply wire with a wire nut.

**17:** Connect the red wire of the coaxial connector to the +24VDC power supply wire with a wire nut.

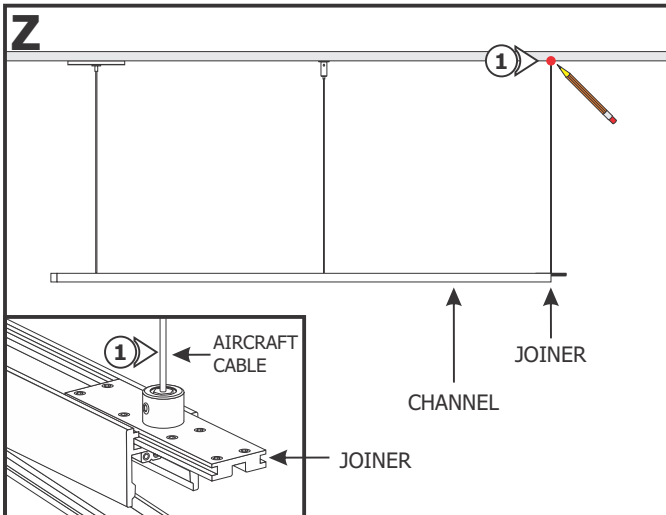
**18:** Place all connections inside the junction box.

**19:** Align the canopy with the crossbar and secure it using the two #4-40 screws using a 1/16" Allen wrench.

**20:** Adjust the fixture height by pushing the cord grip to slide the fixture up and down until the desired height is achieved. Release the tabs to lock the coaxial cables in place.



## Section Five: Connecting Channel Sections



**NOTE:** If applicable, multiple channels must be installed one by one.

**NOTE:** Omit this section if the joiner did not come with the fixture depending on the overall fixture length.

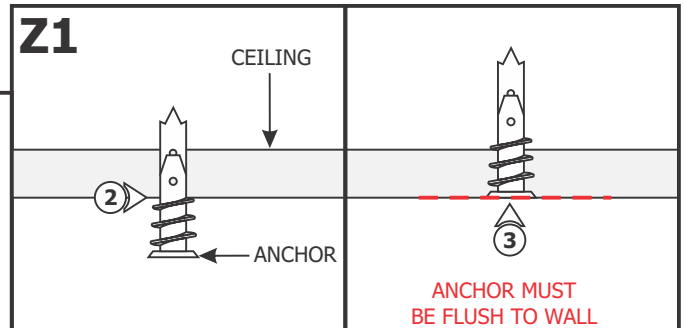
**NOTE:** Omit Steps 1 through 9 if the joiner did not come with aircraft cable depending on the overall fixture length.

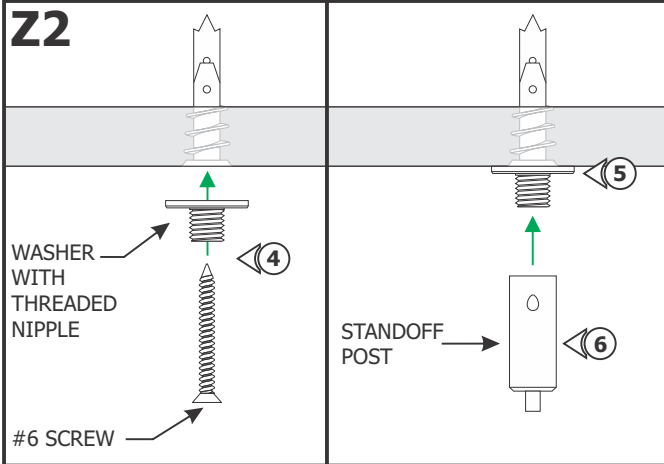
**1:** Lift the other end of the aircraft cable on the joiner against the ceiling to mark the location of the standoff.

**NOTE:** Omit steps 2 through 9 if using support canopy. Refer to Section Three: Install the Support Canopy.

**2:** Tap the anchors onto the marked points up to the threaded portion with a hammer.

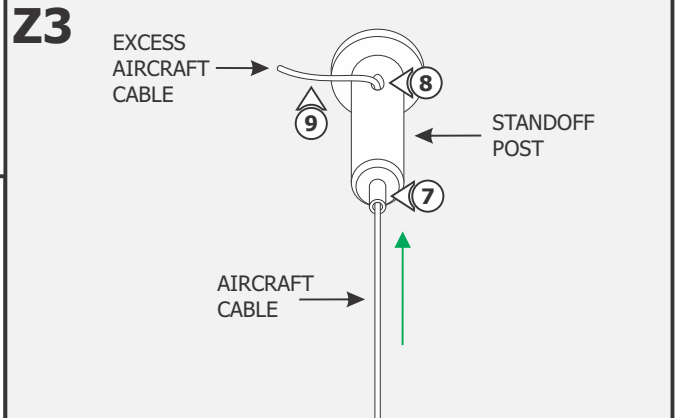
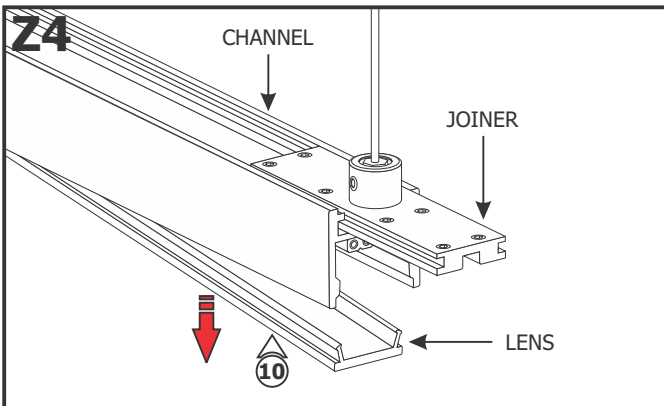
**3:** Screw in the threaded portion of the anchors with a Phillips screwdriver.



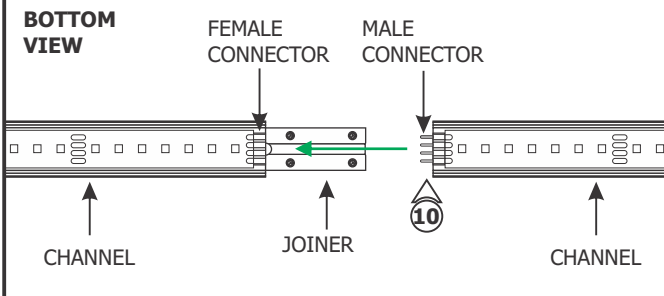
**Z2**

- 4:** Feed the #6 screw through the washer with threaded nipple into the anchor.
- 5:** Tighten the #6 screw completely into the anchor.
- 6:** Tighten the standoff post completely onto the threaded nipple.

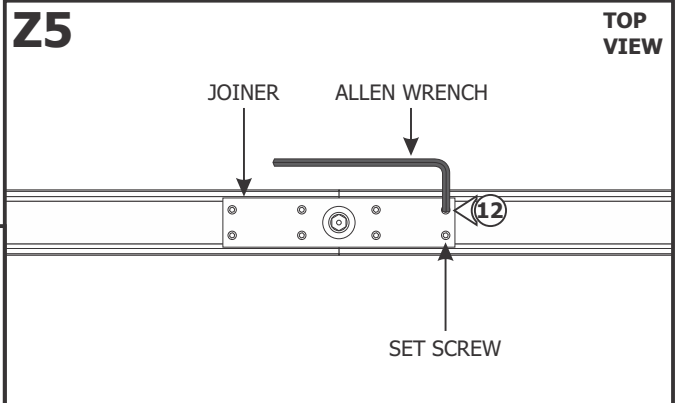
- 7:** Feed the aircraft cable coming from the joiner through the standoff post.
- 8:** Adjust the fixture height by pushing the tab and pulling the aircraft cable out of the side of the standoff post. Release the tab to secure the cable in place.
- 9:** If necessary, trim excess aircraft cable using sharp cutters.

**Z3****Z4**

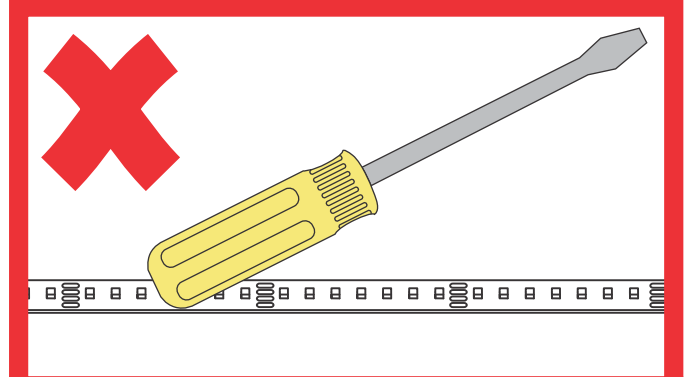
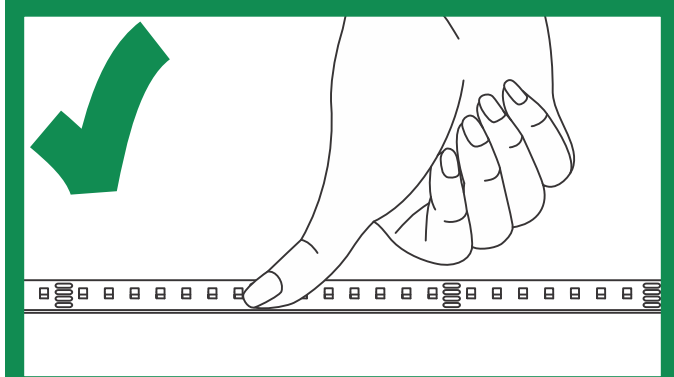
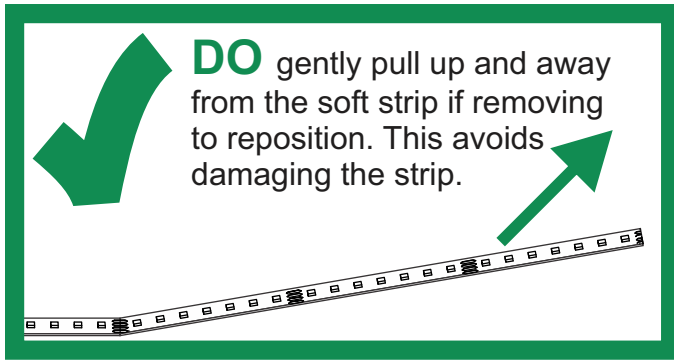
- 10:** Lift a section of the lens at the end of the channels where the connectors are visible. Slide the channel over the joiner and ensure the male & female connectors mate properly.
- 11:** Push the lens back into the channel.

**BOTTOM VIEW**

- 12:** Tighten the four #4-40 set screws using the 0.05" Allen wrench.
- 13:** Refer to Sections Two or Three to install remaining standoffs and continue to connect additional channels one at a time until the fixture is complete.

**Z5**

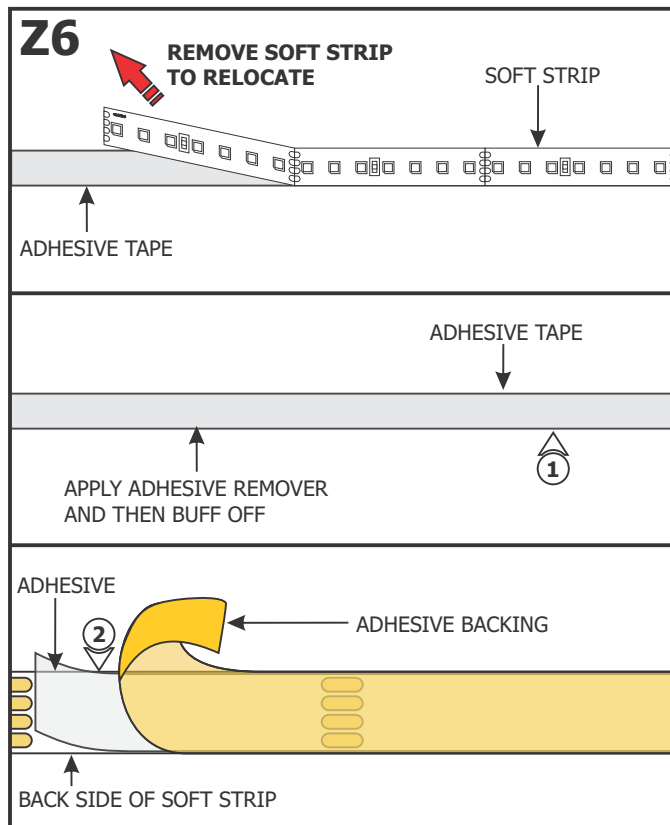
## IMPORTANT INFORMATION REGARDING INSTALLATION AND REWORK OF SOFT STRIP LED



**DO** only ever use fingers to gently install soft strip to a surface **AFTER** cleaning the surface with alcohol.

**DO NOT** use any tool to install soft strip to a surface. This will damage the soft strip component.

### Relocating Soft Strip (Optional)

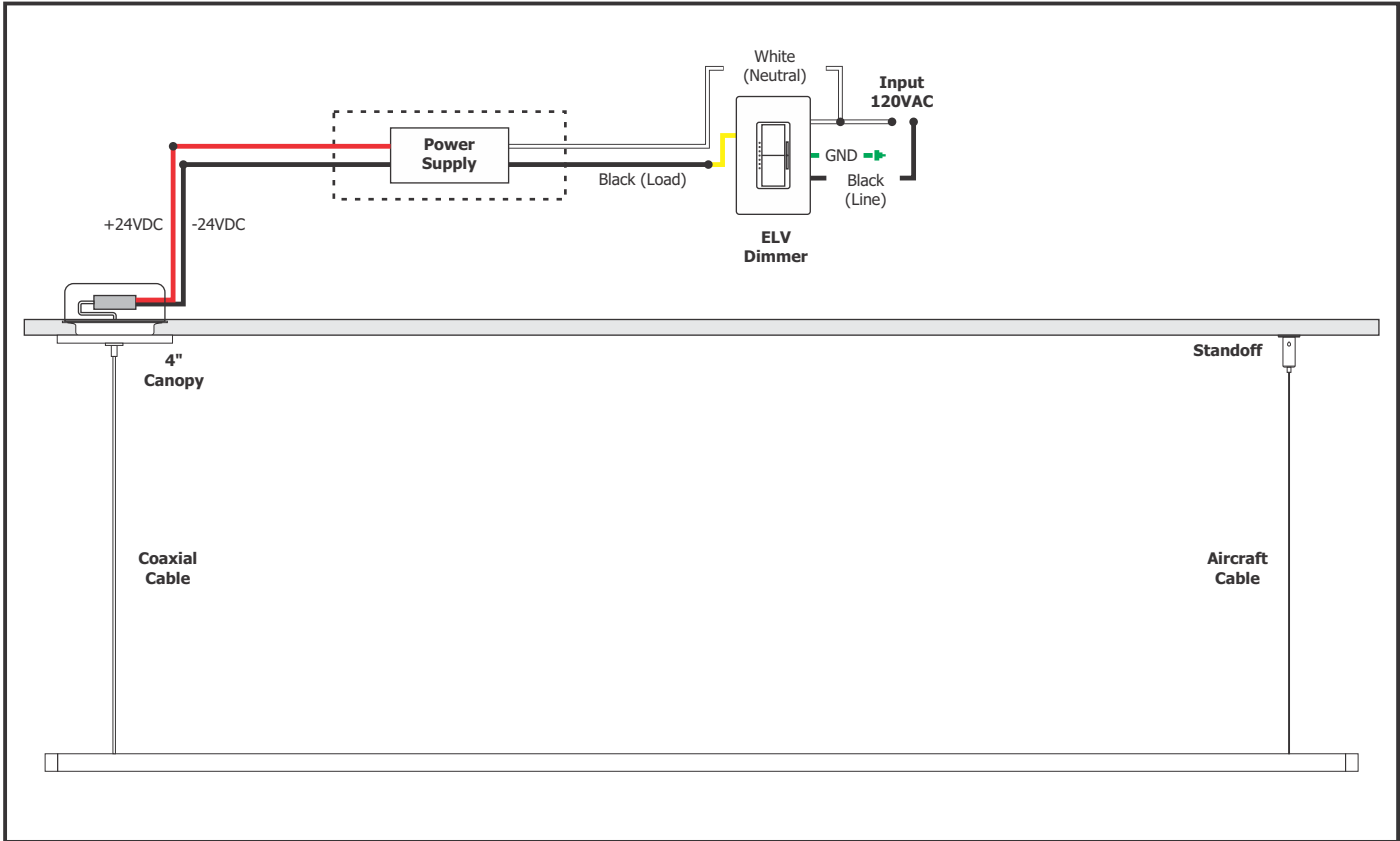


**NOTE:** If relocating the installed soft strip, make sure that the adhesive tape on back of the soft strip covers the entire strip. The adhesive tape isolates the strip from the installation surface. Damaged or inconsistent adhesive tape may cause the contacts on the back of the strip to come in contact with the conductive heat sink which will cause the strip to short and burn. Call Edge Lighting to get replacement adhesive tape and/or optional aluminum heat sink tape (SS-HR-F).

- 1:** To remove tape residue from back of the strip, apply WD-40, Goo Gone, or a mixture of warm water and lemon oil to the corner of a clean, dry towel. Gently buff the area containing the adhesive residue until it is completely removed.
- 2:** Gently remove a few inches from one side of the tape backing. Attach the adhesive tape to the back of the soft strip and apply moderate pressure to affix the tape. Continue this step a few inches at a time until the entire adhesive tape is attached to back of the soft strip.



# General ELV Wiring Diagram



# General 0-10V Wiring Diagram

