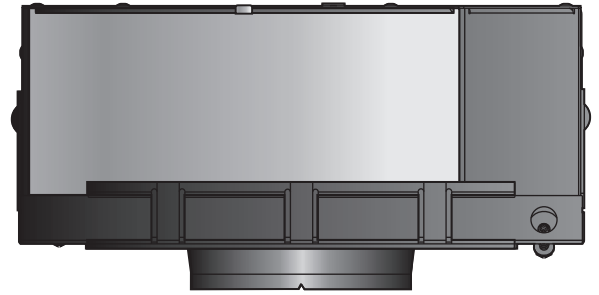


# Round or Square Element 4" Adjustable Housing

E4\_L\_A\_ 1.3



## GENERAL PRODUCT INFORMATION:



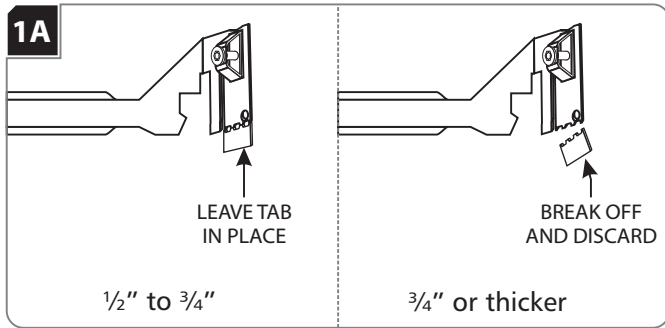
This product is suitable for indoor locations.

This product can be dimmed with a standard electronic dimmer.

This instruction shows a typical installation.

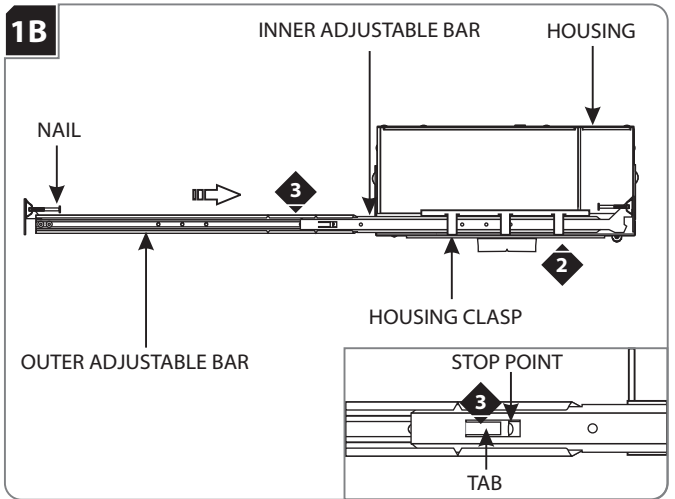
**CAUTION - RISK OF FIRE**  
 This product must be installed in accordance with the applicable installation code by a person familiar with the construction and operation of the product and the hazards involved.  
**Use minimum 90°C supply conductors.**

## Install the Housing with Adjustable Bars

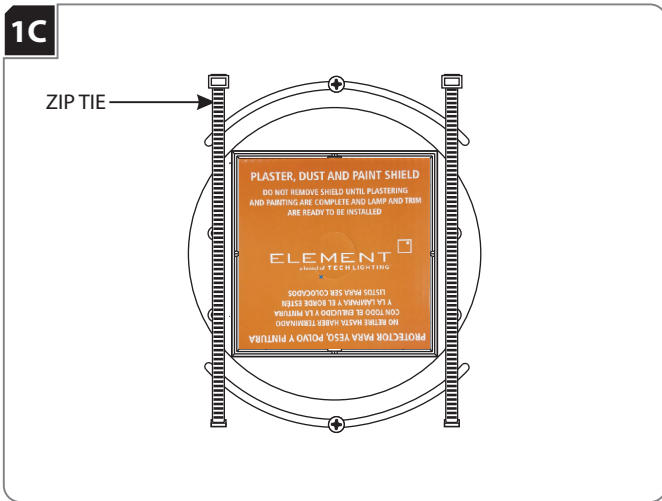


**NOTE:** Skip this section if installing the housing with butterfly brackets.

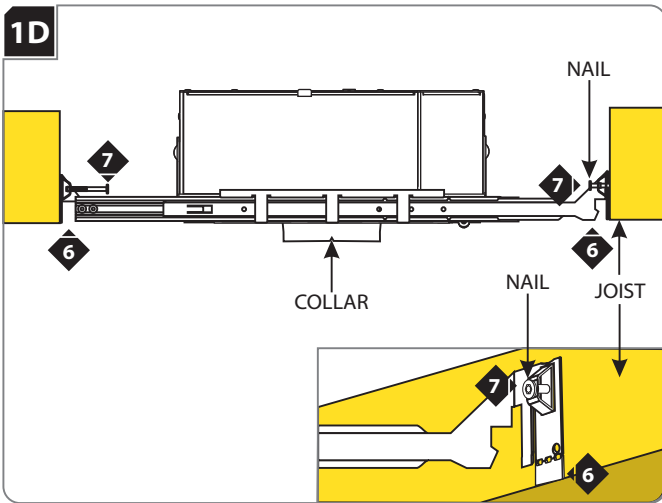
- 1 **Keep Tab for ceiling 1/2" to 3/4" thick.**  
 When using adjustable hanger bars with 1/2" to 3/4" thick ceilings, leave the tab of the hanger bars in place.  
**Break off Tab for ceiling 3/4" or thicker.**  
 When using adjustable hanger bars with 3/4" or thicker ceilings, remove the tab by bending it at the perforation.



- 2 Slide the inner adjustable bar completely through the three housing clasps. Make sure the nail is on top.
- 3 Slide and push the outer adjustable bar completely onto the inner adjustable bar so that the tab clicks into place behind the stop point. This will prevent the adjustable bars from coming apart.
- 4 Repeat steps 2 & 3 for the other side of the housing.

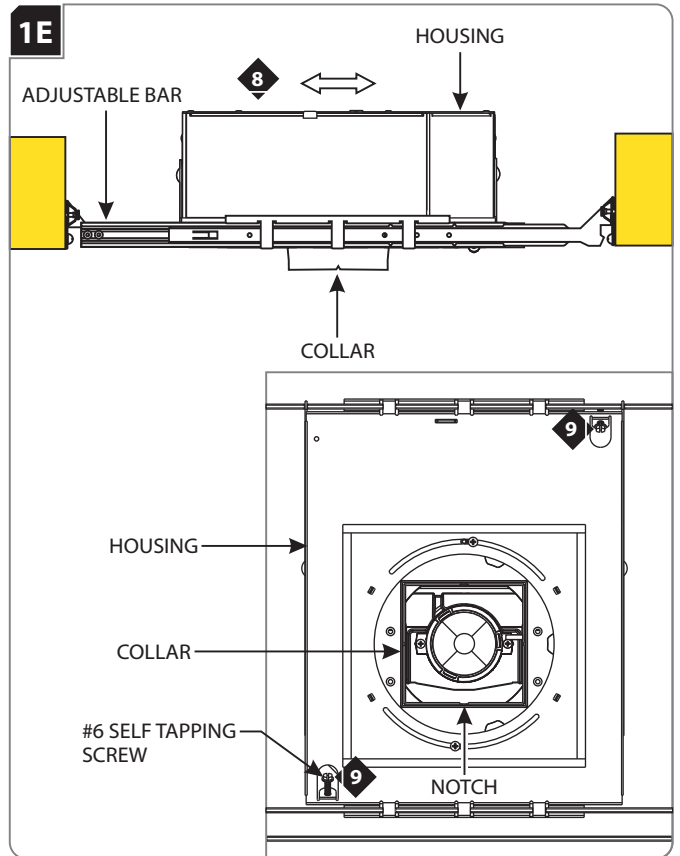


5 Carefully cut and remove the zip ties.



**NOTE:** The adjustable bars can be mounted to joists that are spaced 16" - 24" apart.

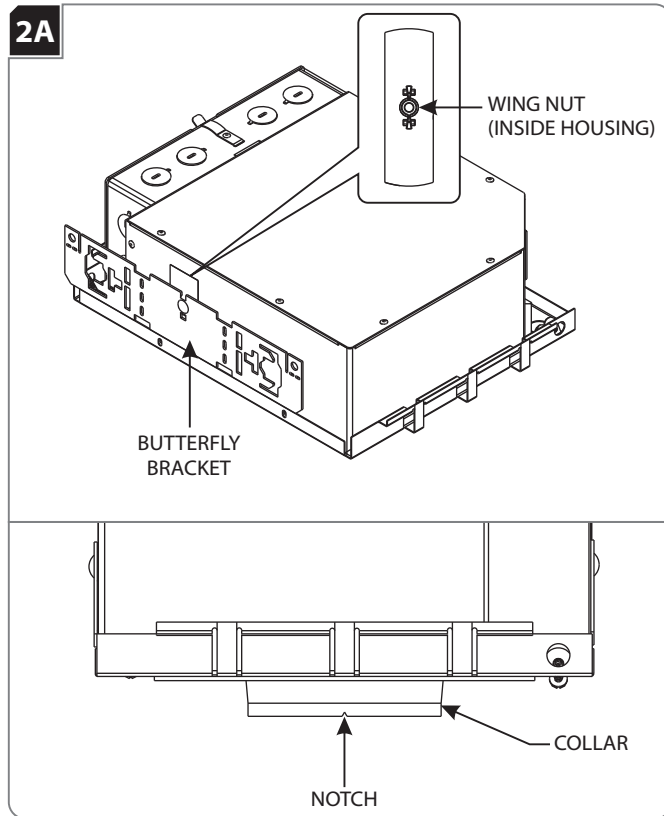
- 6 Align the bottom of the end plates with the bottom of the ceiling joists.
- 7 Level the adjustable bars and, with a hammer, tap the nails completely into the joists to secure the adjustable bars.



- 8 Adjust the collar position (horizontal position) by sliding the housing on adjustable bars.
- 9 When the desired location is achieved, tighten the two #6 self tapping screws to lock the housing onto the adjustable bars.

**NOTE:** Notches in the collar can be used to align multiple housings using a laser or string.

## Install the Housing with Butterfly Brackets

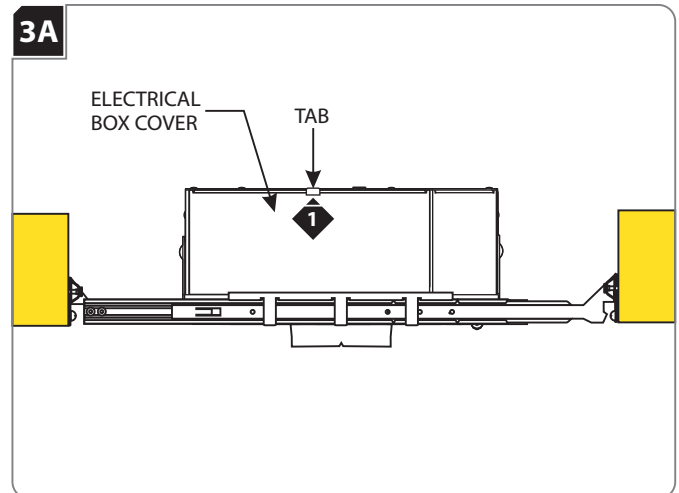


**NOTE:** Skip this section if installing the housing with adjustable bars.

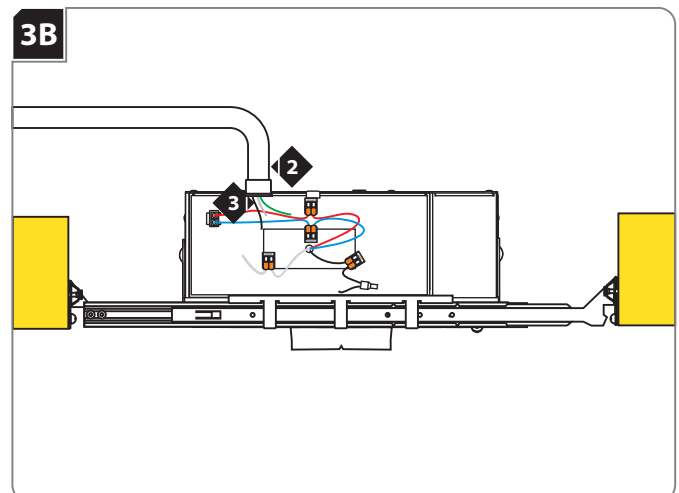
- 1 Slightly loosen the wing nut located inside the housing to slide the butterfly bracket up or down.
- 2 After achieving the proper location, tighten the wing nut to secure the butterfly bracket in place.
- 3 Repeat steps 1 and 2 on for the other butterfly bracket.
- 4 Utilize the butterfly brackets to install the housing in accordance with local electrical codes.

**NOTE:** Notches in the collar can be used to align multiple housings using a laser or string.

## Connect Power to the Housing



- 1 Push the tab on the housing electrical box up and remove the electrical box cover.



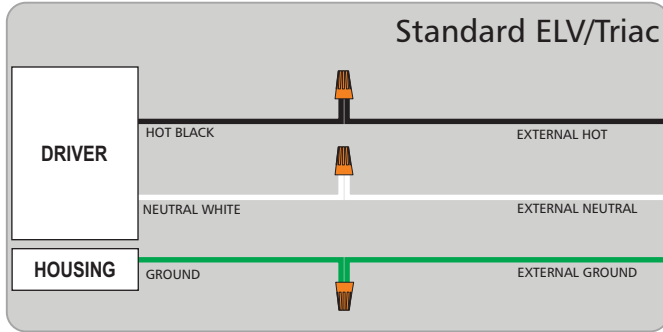
- 2 Install the conduit to the housing electrical box.
- 3 Run the power line wires into the housing electrical box.
- 4 Use the appropriate wiring diagram on the following page to wire your fixture accordingly.

**NOTE:** When a fixture is installed in a location that requires servicing from below the ceiling through the fixture aperture, the branch circuit connections need to be able to be brought out through the aperture. To accomplish this, an NM type cable in conjunction with snap-in/push-in connectors must be used and a 12" service loop must be left available outside of the fixture housing wiring compartment to allow additional branch circuit wiring to be pulled through the snap-in/push-in connector and extended out through the aperture below ceiling level.

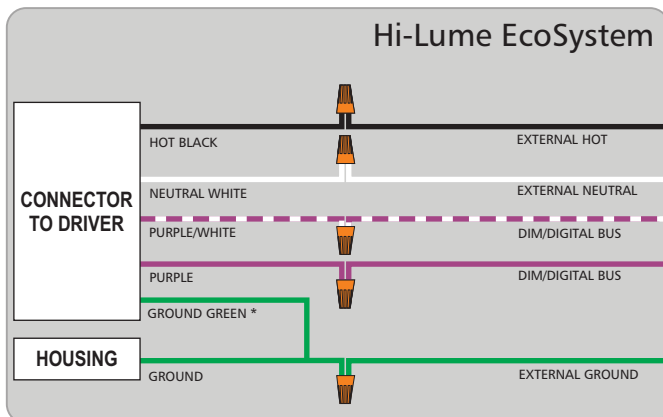
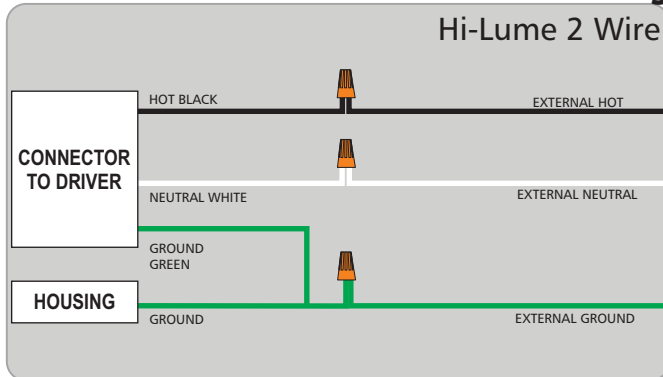
**WARNING: RISK OF FIRE:** When using the housing electrical box for power feed through, use **MAX** 4 - #12 AWG, or 6 - #14 AWG branch circuit wires.

# IC LABELED FIXTURE WIRING

## Standard Driver Wiring

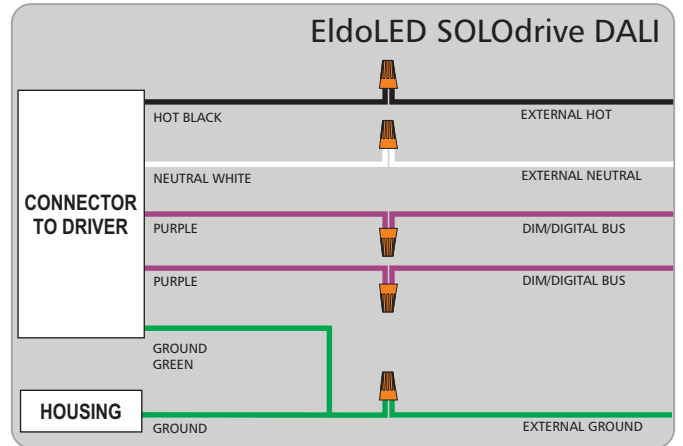
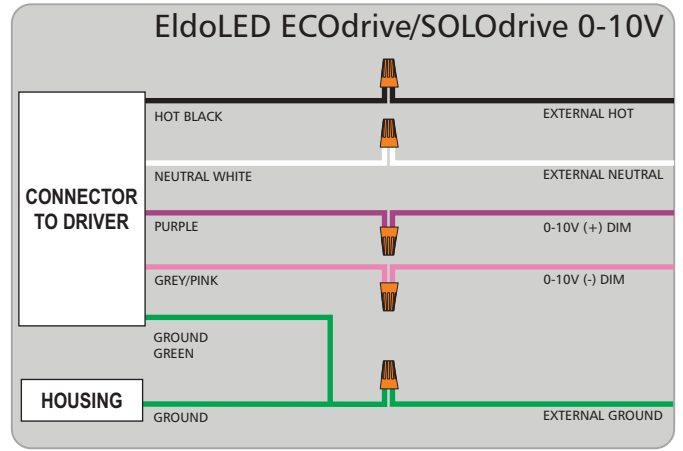


## Hi-Lume Driver Wiring

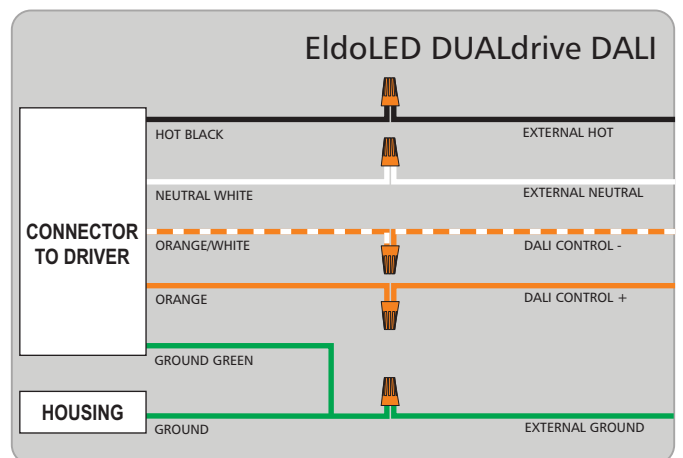
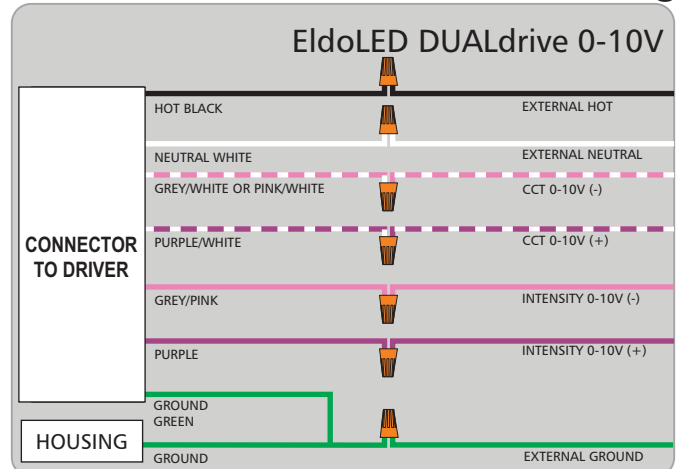


\* If green/ground connection is available, wire to ground.

## EldoLED Driver Wiring

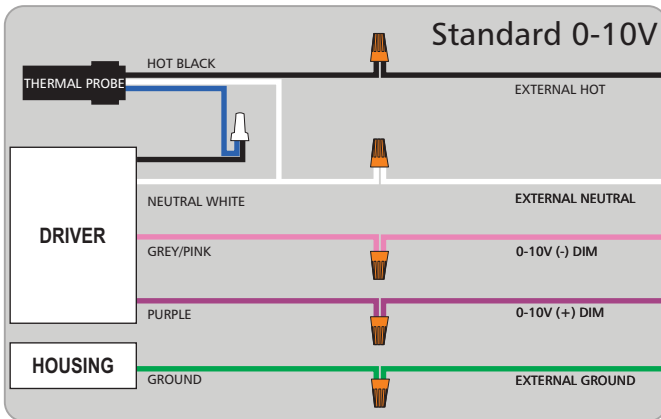
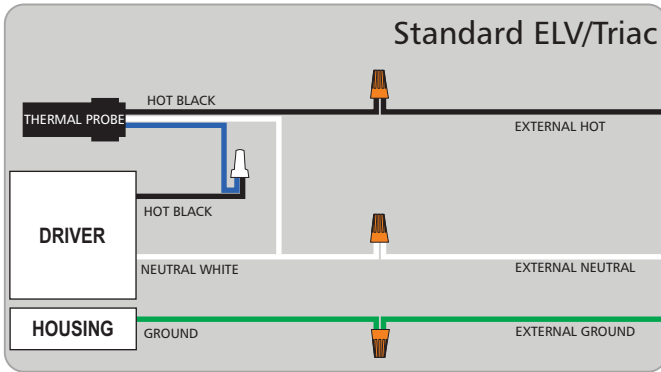


## EldoLED Tunable White Wiring

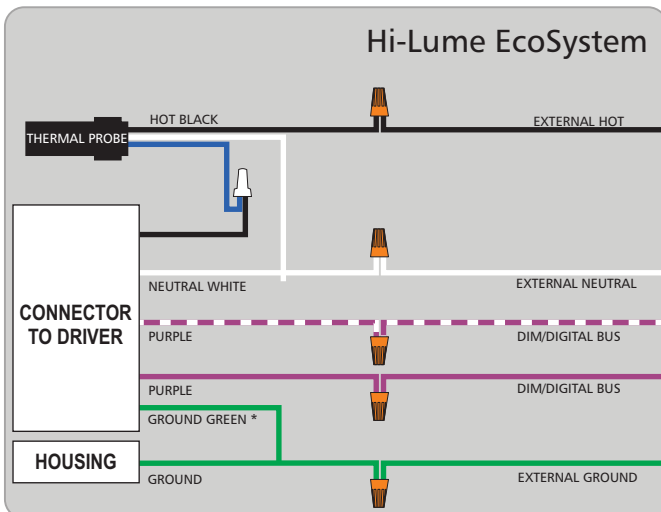
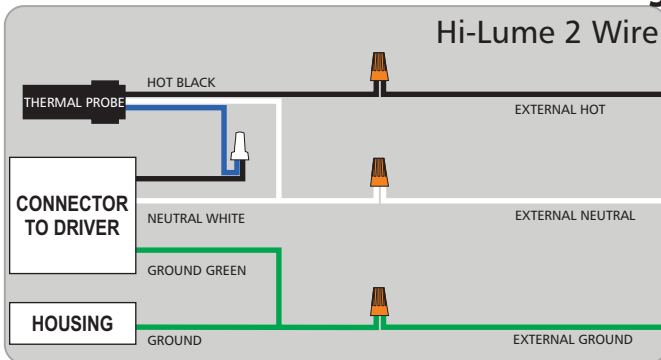


# NON-IC LABELED FIXTURE WIRING

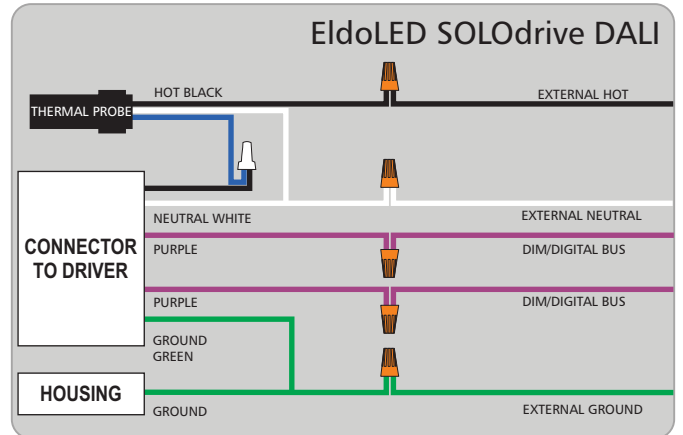
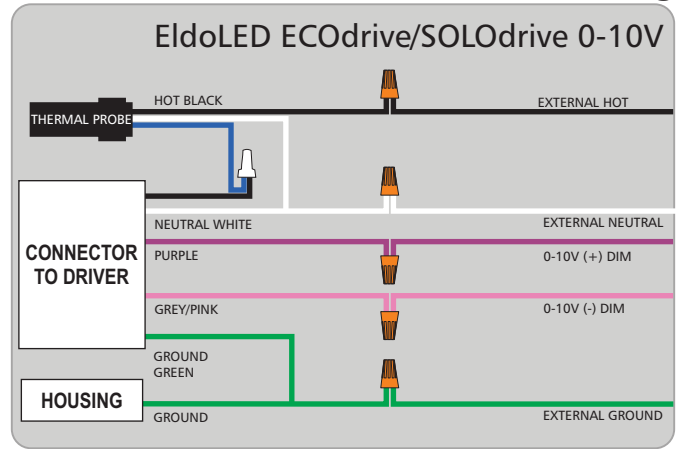
## Standard Driver Wiring



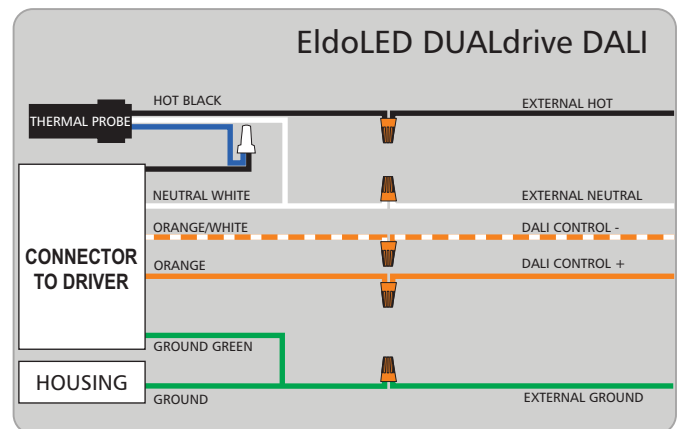
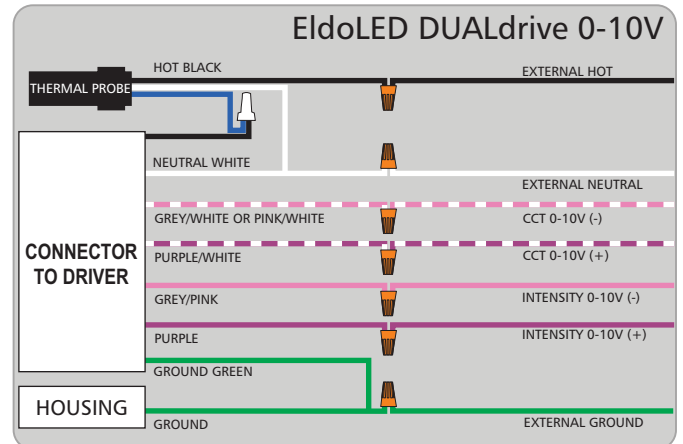
## Hi-Lume Driver Wiring



## EldoLED Driver Wiring

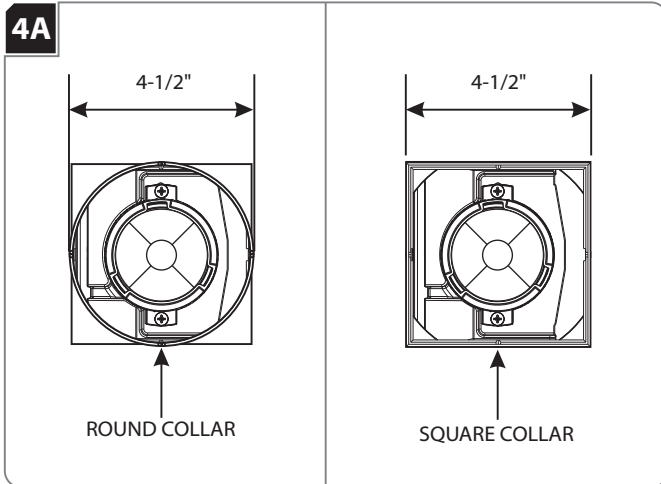


## EldoLED Tunable White Wiring

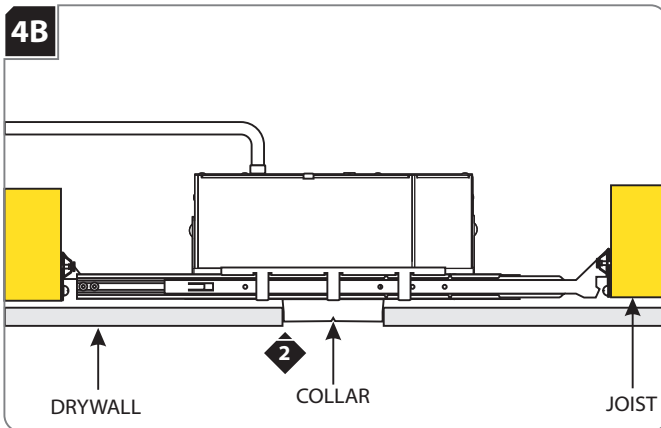


\* If green/ground connection is available, wire to ground.

## Install Drywall



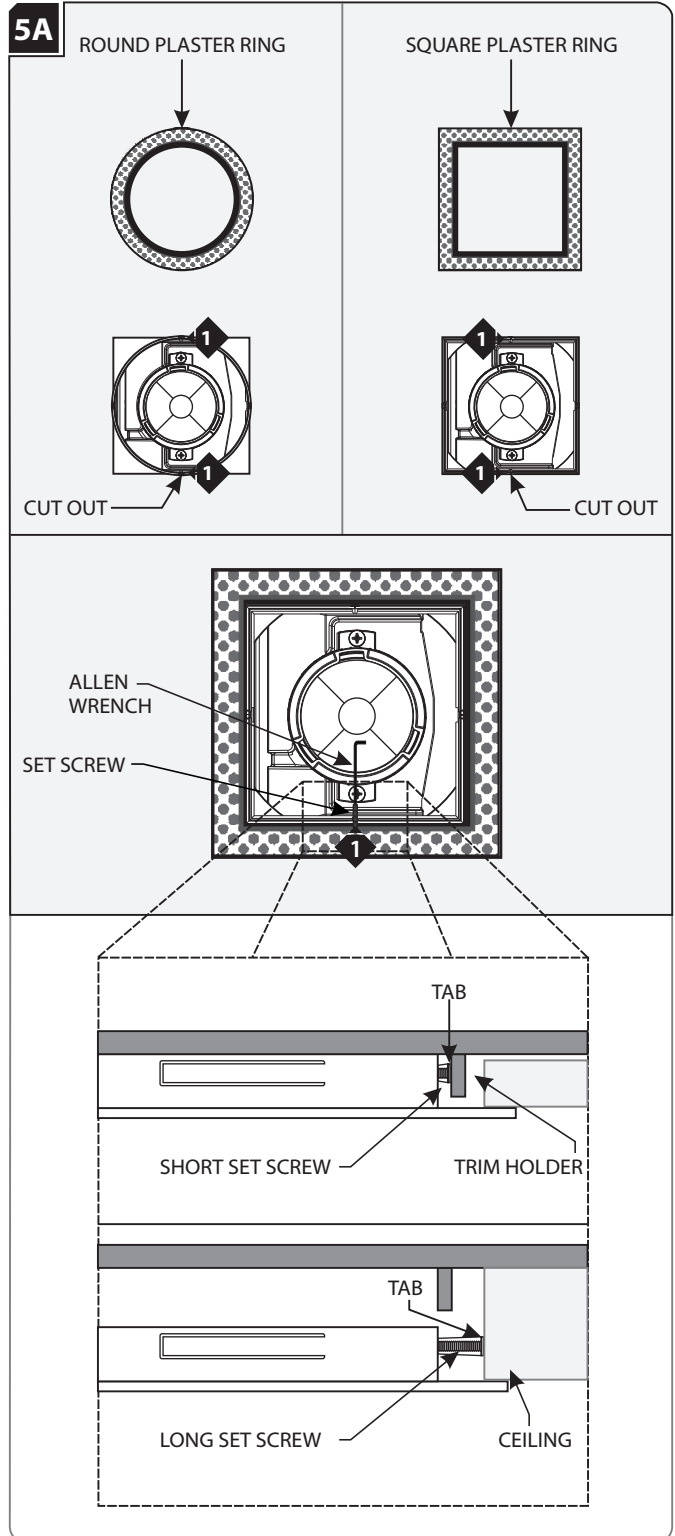
- 1** For round trims, mark a 4-1/2" diameter circle on drywall. Cut out the marked section.  
For square trims, mark a 4-1/2" square on drywall. Cut out the marked section.



- 2** Align the cut out section of drywall with the collar and install drywall.

**WARNING: Risk of Fire:** The housing is not intended to be in contact with or covered with combustible materials and insulation. Do not install insulation within 3 inches of the housing sides or above in such a manner to entrap heat.

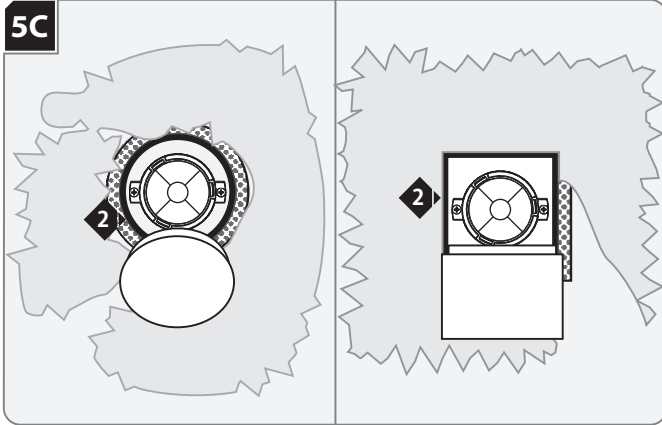
## Install Plaster Ring (For Flangeless Versions)



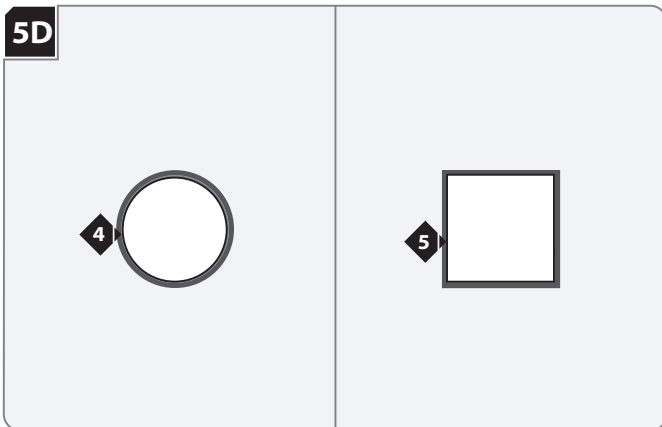
- 1** Insert the plaster ring completely into the collar/ceiling and secure them in place with the provided set screws and Allen wrench.

**NOTE:** Longer set screws have been provided for instances where the plaster ring does not reach the collar and must be secured to the inside of the ceiling cutout. Use the short set screws if the trim is installed in the collar.

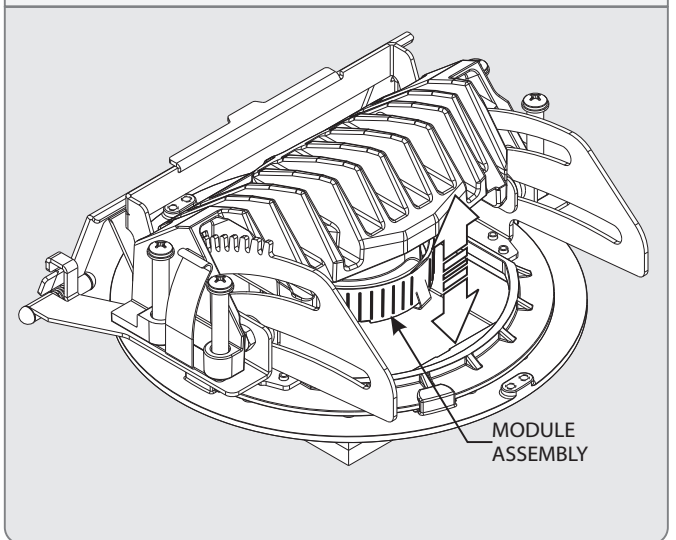
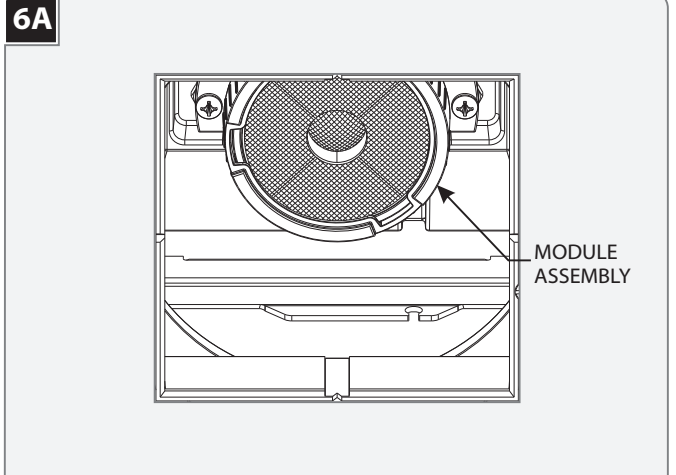
## Adjust the Lamp Housing



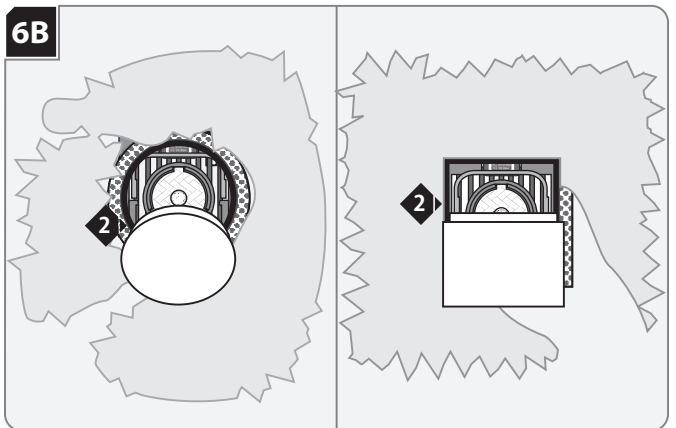
- 2 Plug the collar with the provided dust shield.
- 3 Properly plaster onto the plaster ring and drywall.



- 4 Finish around the trim to match drywall.

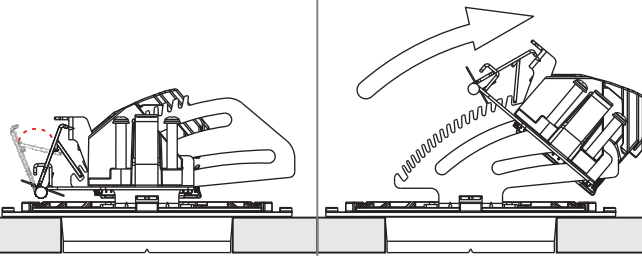
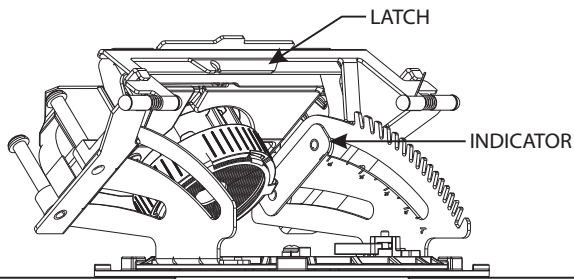
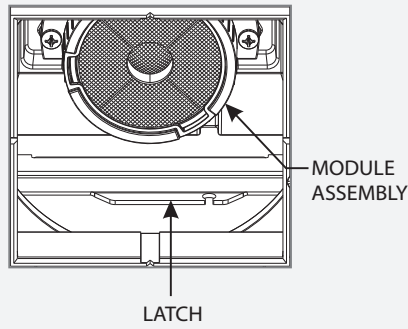


- 1 To adjust the height, grip the module assembly and push up to minimize glare and flash on the trim. Pull down on the module assembly for maximum light output and efficiency.



- 2 Plug the collar with the provided dust shield.
- 3 Properly plaster onto the plaster ring and drywall.

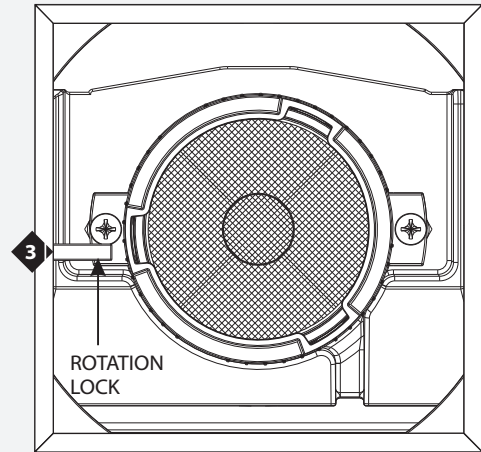
6B



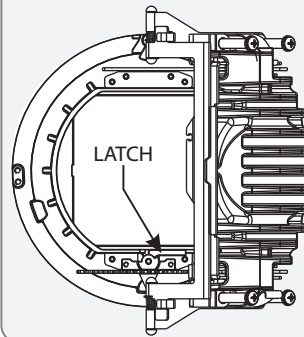
**NOTE:** Lamp housing can tilt 40° vertically. Lock intervals are 2.5° apart.

- 2 To tilt the lamp housing, unlock the assembly by pressing on the latch and position the assembly until the desired angle is reached.

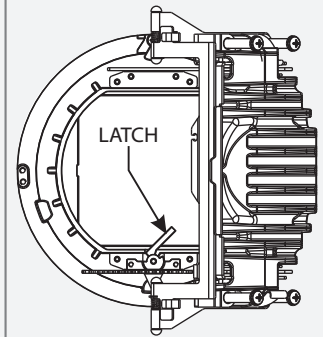
6C



LATCH CLOSED



LATCH OPEN



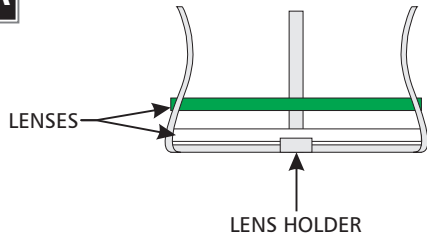
**NOTE:** Lamp housing can rotate 361° horizontally.

- 3 Pull the rotation lock out to unlock the lamp housing.
- 4 Rotate the lamp housing horizontally. When the desired position is achieved push the rotation back to lock the lamp housing in place.



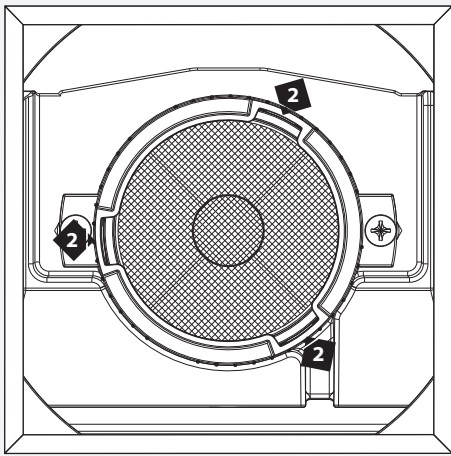
## Install the Lenses (Optional)

**7A**



- 1 Place lenses (max. 2, optional) inside the lens holder spring.

**7B**



- 2 Line up tabs of the lens holder spring with the notches on the optic holder and push the lens holder spring on.

## Notes

## Notes



7400 Linder Ave., Skokie, IL 60077

T 847.410.4400 | F 847.410.4500

[www.techlighting.com](http://www.techlighting.com)

# Round or Square Chicago Plenum Adjustable Housing with Emergency Battery Backup and LED Lamp

E4\_-L\_AE 1.1



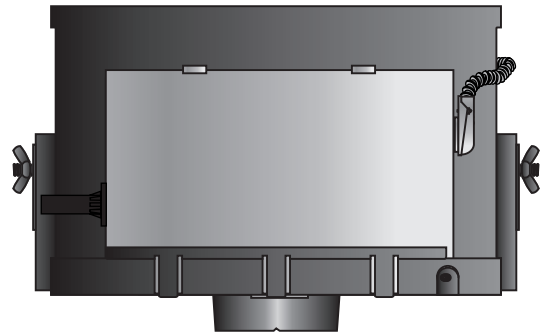
## GENERAL PRODUCT INFORMATION:



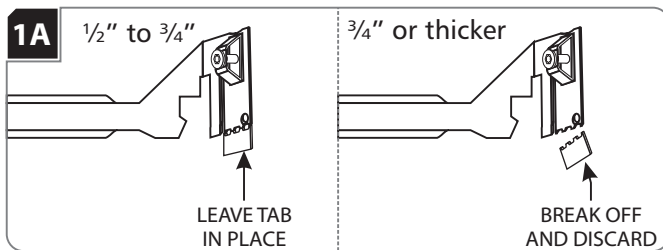
This product is suitable for indoor locations.

This product can be dimmed with a standard electronic dimmer.

This instruction shows a typical installation.

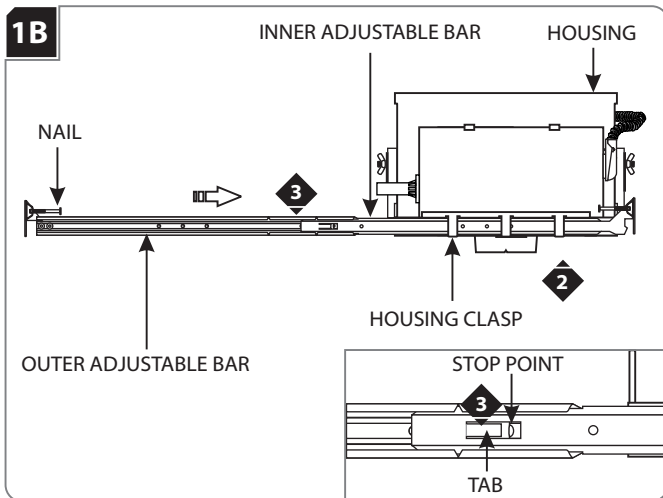


## Install the Housing with Adjustable Bars



**NOTE:** Skip this section if installing the housing with butterfly brackets.

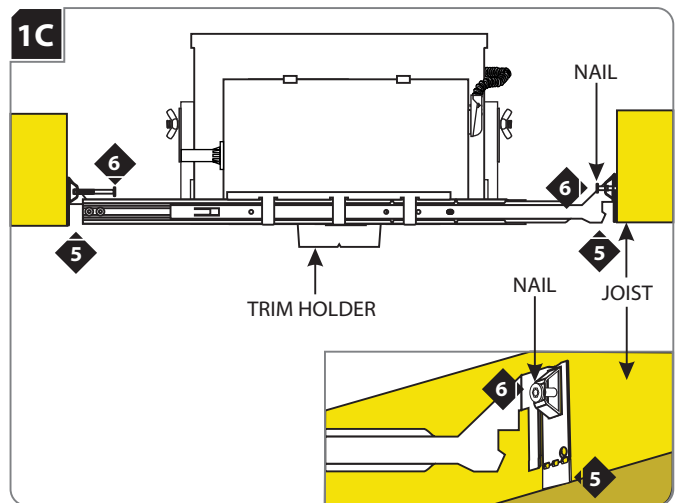
- 1 **Keep Tab for ceiling 1/2" to 3/4" thick.**  
When using adjustable hanger bars with 1/2" to 3/4" thick ceilings, leave the tab of the hanger bars in place.  
**Break off Tab for ceiling 3/4" or thicker.**  
When using adjustable hanger bars with 3/4" or thicker ceilings, remove the tab by bending it at the perforation.



- 2 Slide the inner adjustable bar completely through the three housing clasps. Make sure the nail is on top.
- 3 Slide and push the outer adjustable bar completely onto the inner adjustable bar so that the tab clicks into place behind the stop point. This will prevent the adjustable bars from coming apart.
- 4 Repeat steps 2 & 3 for the other side of the housing.

**CAUTION - RISK OF FIRE**  
This product must be installed in accordance with the applicable installation code by a person familiar with the construction and operation of the product and the hazards involved.  
Use minimum 90°C supply conductors.

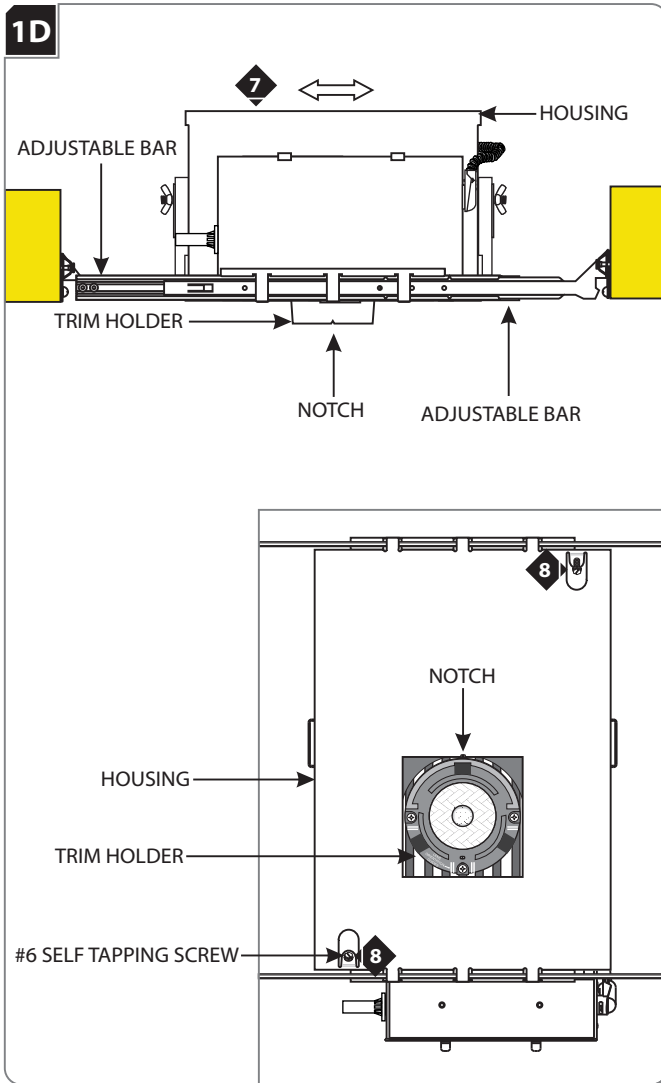
**SAVE THESE INSTRUCTIONS!**



**NOTE:** The adjustable bars can be mounted to joists that are spaced 16" - 24" apart.

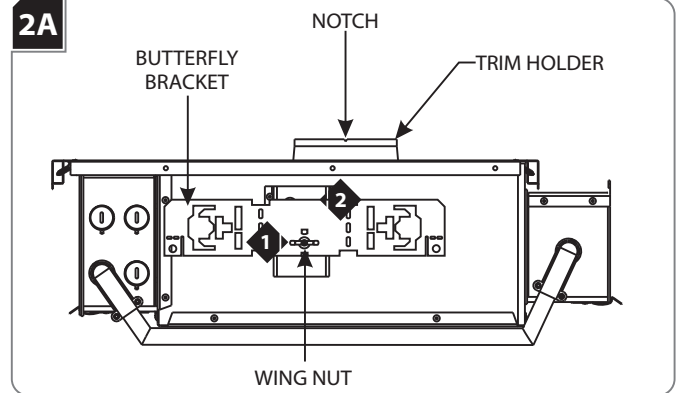
- 5 Align the bottom of the end plates with the bottom of the ceiling joists.
- 6 Level the adjustable bars and, with a hammer, tap the nails completely into the joists to secure the adjustable bars in place.

## Install the Housing with Butterfly Brackets



- 7 Adjust the trim holder position (horizontal position) by sliding the housing on adjustable bars.
- 8 When the desired location is achieved, tighten the two #6 self tapping screws to lock the housing onto the adjustable bars.

**NOTE:** Notches in trim holder can be used to align multiple housings using a laser or string.

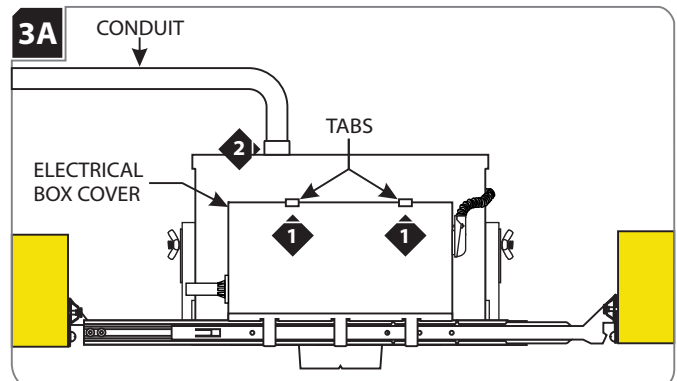


**NOTE:** Skip to section 3 if installing the housing with adjustable bars.

- 1 Slightly loosen the wing nut to slide the butterfly bracket up or down.
- 2 After achieving the proper location, tighten the wing nut to secure the butterfly bracket in place.
- 3 Repeat steps 1 and 2 on for the other butterfly bracket.
- 4 Utilize the butterfly brackets to install the housing in accordance with local electrical codes.

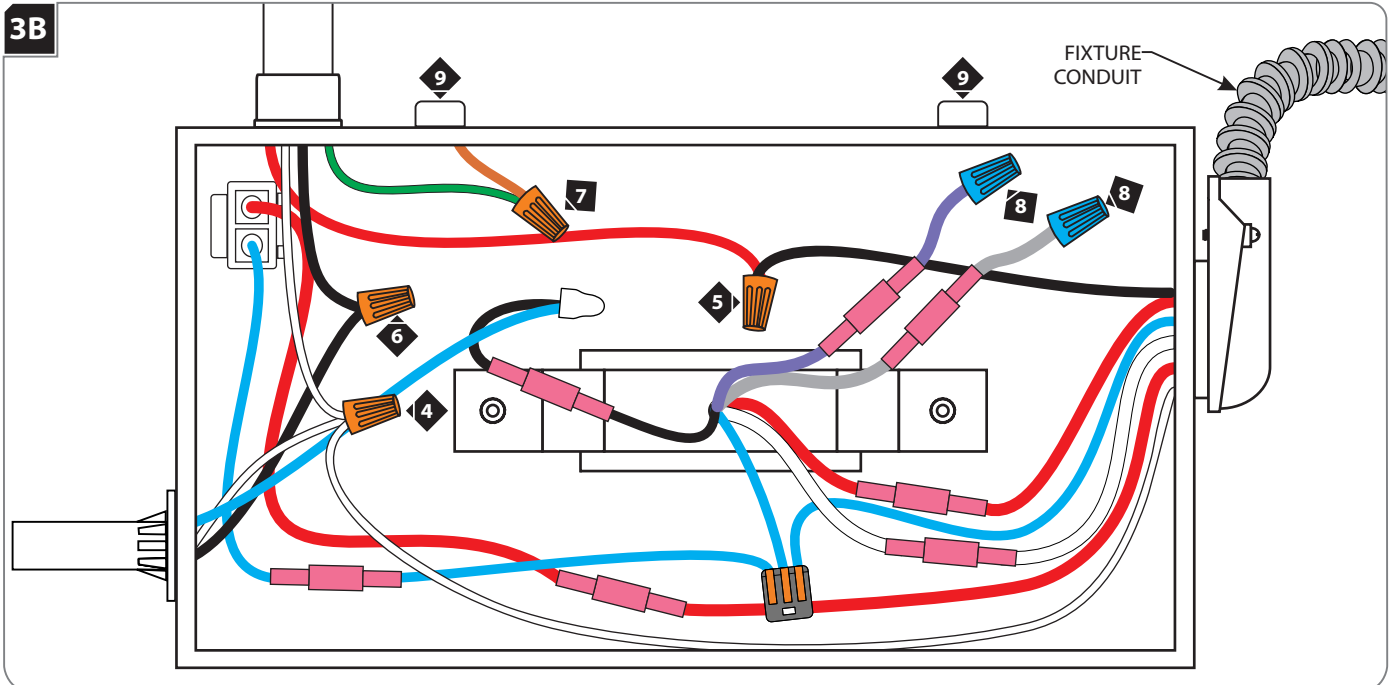
**TIP:** Notches in trim holder can be used to align multiple housings using a laser or string.

## Connect Power to the Housing



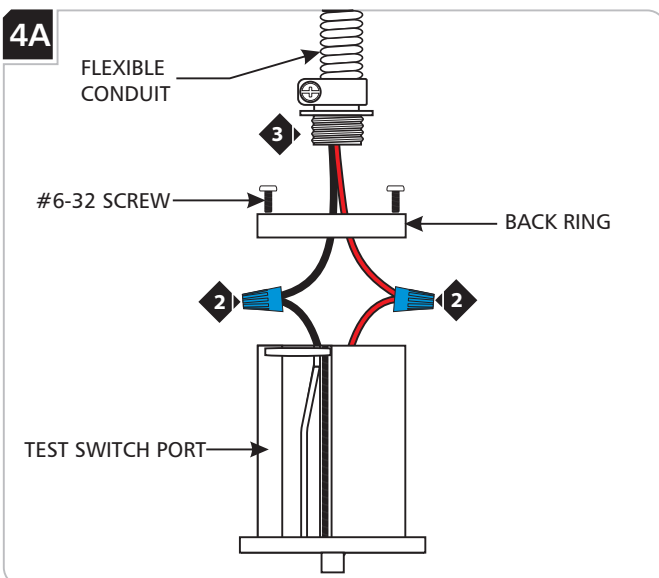
- 1 Push up on the tabs on the electrical box and remove the electrical box cover.
- 2 Install the conduit to the housing electrical box.
- 3 Run the power line wires into the housing electrical box.

**WARNING: RISK OF FIRE:** When using the housing electrical box for power feed through, use **MAX** 4 - #12 AWG, or 6 - #14 AWG branch circuit wires.



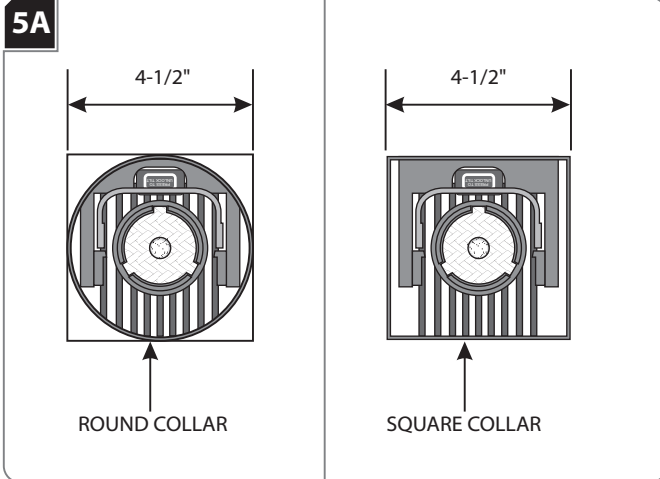
- 4 Connect the neutral power line wire to the white wire from the fixture conduit and thermal probe with a wire nut.
- 5 Connect the constant hot power line wire to the black wire from the fixture conduit with a wire nut.
- 6 Connect the switch hot power line wire to the black thermal probe wire with a wire nut.
- 7 Make sure that housing is grounded in accordance with local electrical codes.
- 8 For models with a 0-10V dimming driver, use the purple and gray wires to connect to a compatible dimmer.
- 9 Replace the electrical box cover. Make sure that the top edge of the cover snaps under both tabs.

### Prepare the Test Switch Port

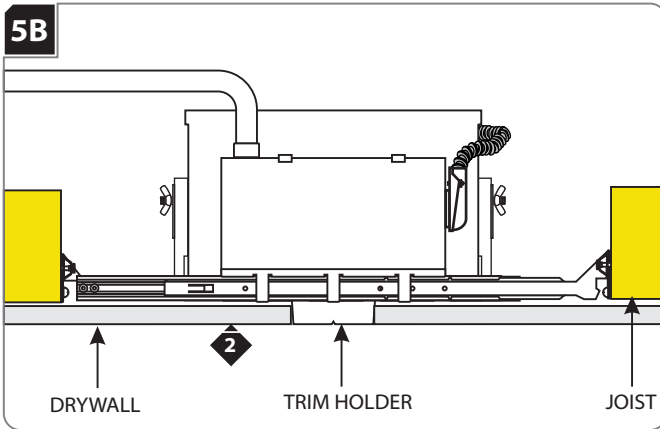


- 1 Unscrew the #6-32 screws to open the test switch port.
- 2 Disconnect the wires.
- 3 Unscrew the back ring from the flexible conduit.
- 4 Replace the back ring onto the port so the end of the wing screws are properly placed in the two blind holes.
- 5 Replace and tighten the #6-32 screws to secure the back ring onto the test switch port.
- 6 Keep the test switch port assembly in a safe place while the drywall is being installed.

## Install Drywall



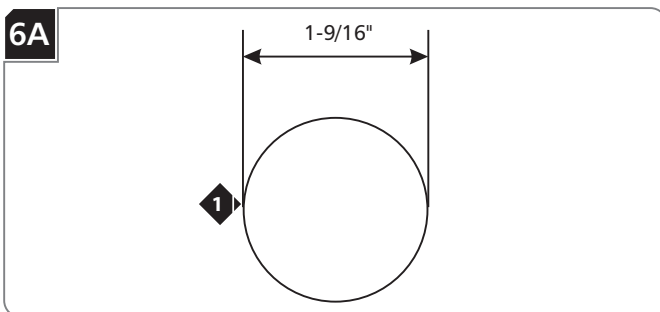
- 1 For round trims, mark a 4-1/2" diameter circle on drywall. Cut out the marked section.  
For square trims, mark a 4-1/2" square on drywall. Cut out the marked section.



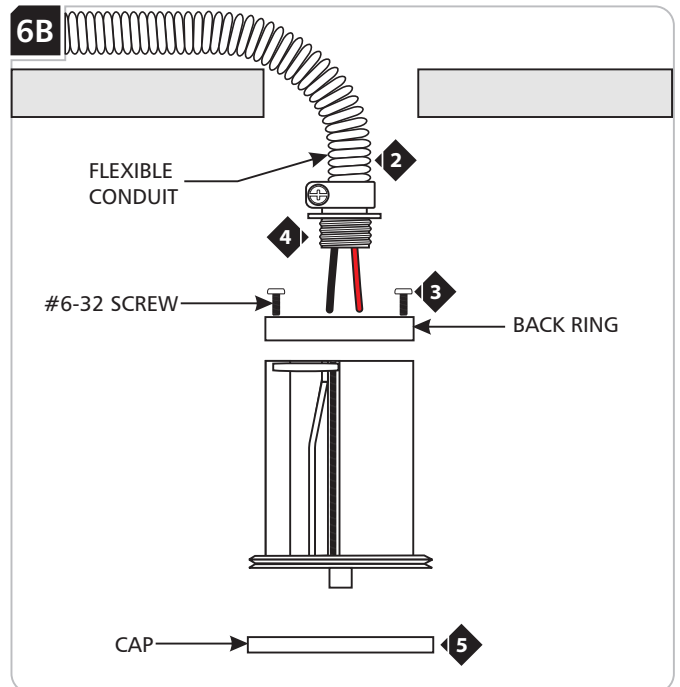
- 2 Align the cut out section of drywall with the trim holder and install drywall.
- 3 Please follow instructions provided with emergency battery backup to complete installation of the test switch.

**WARNING: Risk of Fire:** The housing is not intended to be in contact with or covered with combustible materials and insulation. Do not install insulation within 3 inches of the housing sides or above in such a manner to entrap heat.

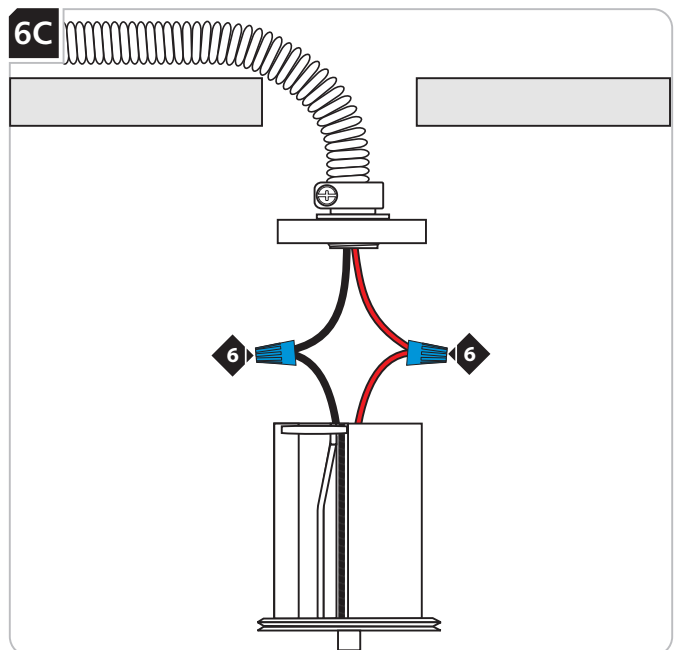
## Install Remote Test Switch



- 1 Use a 1-9/16" hole saw to cut out the ceiling or wall where the test switch will be installed.

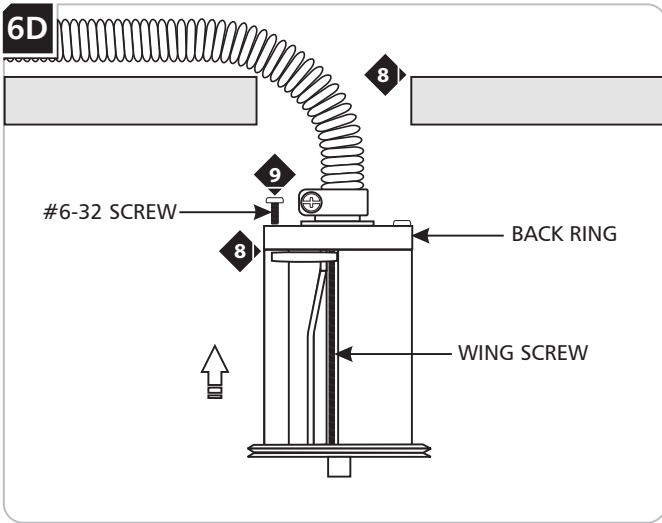


- 2 Bring the flexible conduit out of the 1-9/16" hole.
- 3 Unscrew the #6-32 screws and remove the back ring.
- 4 Screw the back ring (from the face with two holes) to the flexible conduit.
- 5 Unscrew the cap from the test switch port.

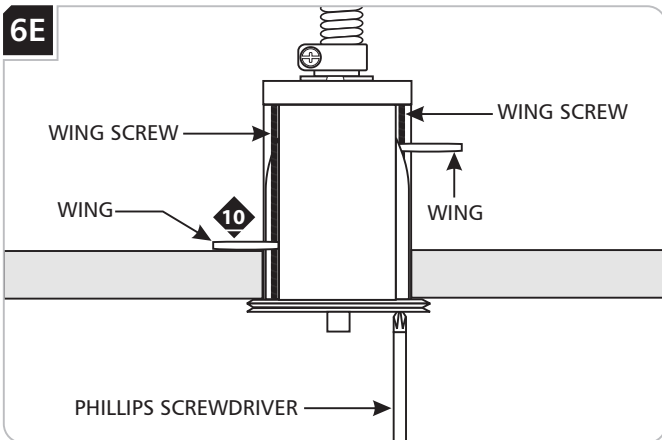


- 6 Connect the red and black wires in the test switch port to the same color wire in the flexible conduit using wire nuts.

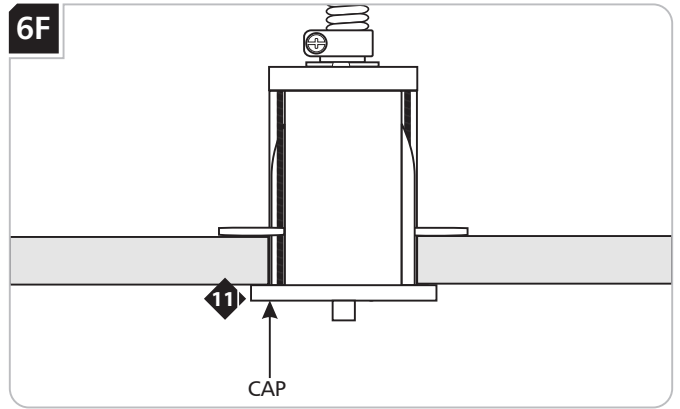




- 7 Replace the back ring onto the test switch port so the end of the wing screws are properly placed in the two blind holes.
- 8 Replace and tighten the #6-32 set screws to secure the back ring onto the test switch port.
- 9 Push the test switch port completely into the hole.

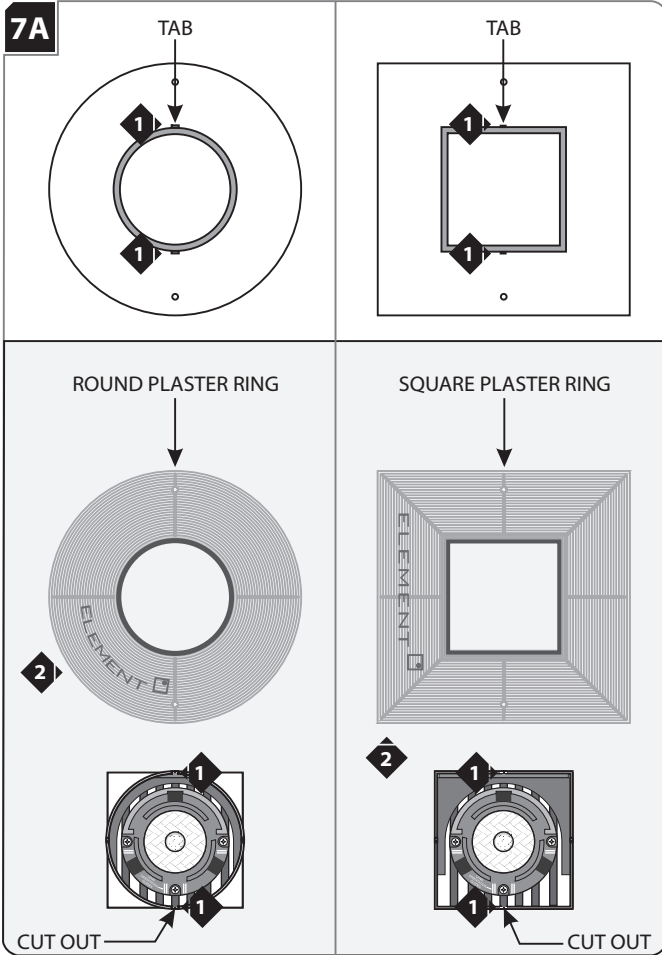


- 10 Tighten the two phillips screws (an electric screwdriver will help) until the wings secure the test switch port into the hole.

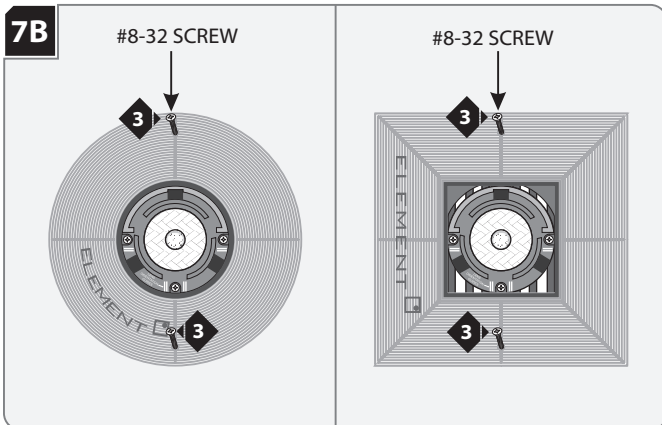


- 11 Replace and tighten the cap.

# Install Plaster Ring (For Flangeless Versions)

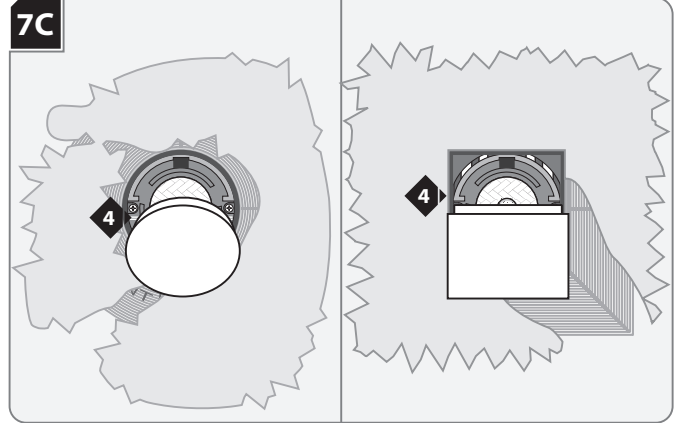


- 1 Line up the two tabs in back of the plaster ring with the two cut out sections of the trim holder inside edge.
- 2 Push the plaster ring tabs into the cut out sections of the trim holder edge.

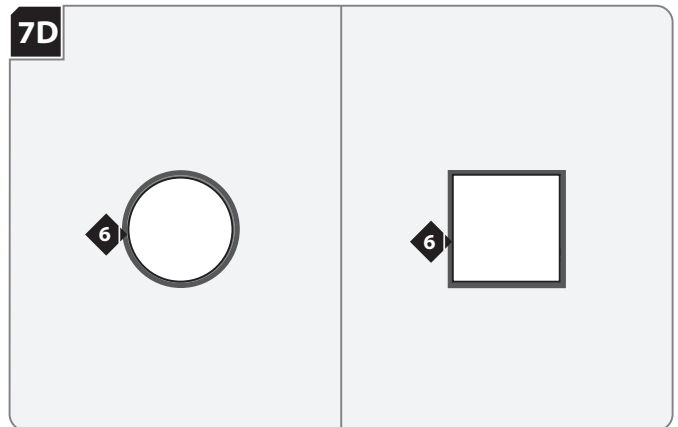


- 3 Secure the plaster ring in place with the two provided flat head #8-32 screws. Make sure that the screws penetrate through the drywall into the housing screw holes.

**NOTE:** Do not overtighten the screws!  
Overtightening may bend the plaster ring, causing the plaster surface to come away from the drywall.



- 4 Plug the trim holder with the provided dust shield.
- 5 Properly plaster onto the plaster ring and drywall.

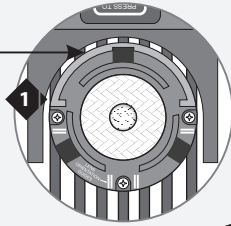


- 6 Finish around the trim to match drywall.

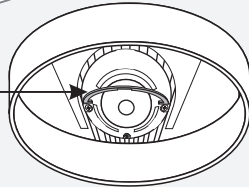
## Adjust the Lamp Housing

8A

BUCKET  
HANDLE



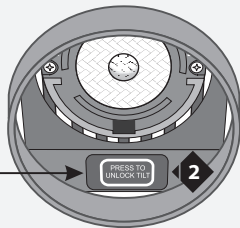
BUCKET  
HANDLE



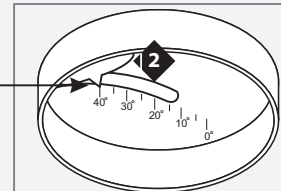
- 1 To adjust the height, push up the lamp cartridge assembly to minimize glare and flash on the trim. Pull down the assembly using the bucket handle for maximum light output and efficiency.

8B

TILT ADJUSTMENT  
LEVER



INDICATOR

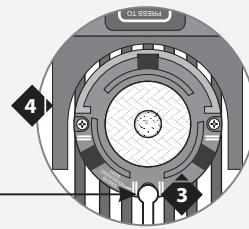


**NOTE:** Lamp housing can tilt 40° vertically. Lock intervals are 2.5° apart.

- 2 To tilt the lamp housing, unlock the tilt adjustment lever by pressing where indicated using a finger or screwdriver and position the assembly until the desired angle is reached.

8C

ROTATION LOCK

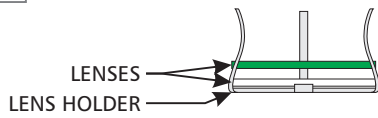


**NOTE:** Lamp housing can rotate 361° horizontally.

- 3 Pull the rotation lock down to unlock the lamp housing.
- 4 Rotate the lamp housing horizontally. When the desired position is achieved push the rotation lock up to lock the lamp housing in place.

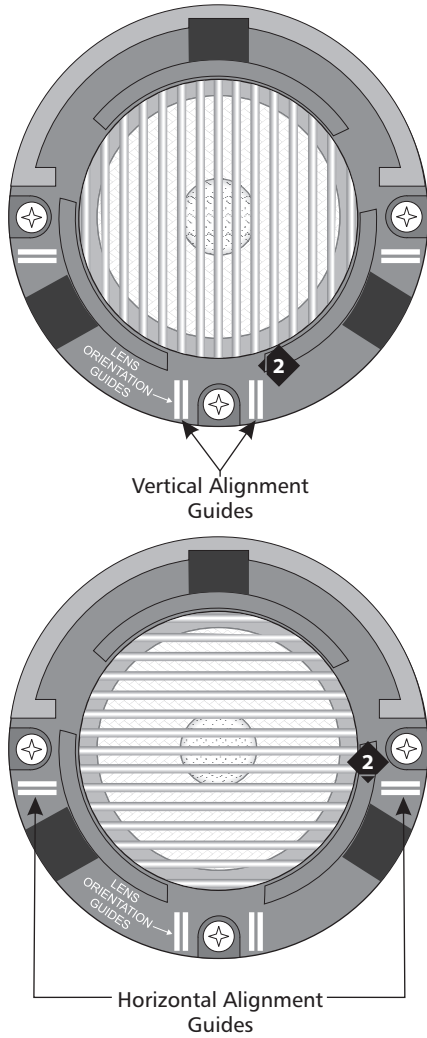
## Install the Lenses (Optional)

9A



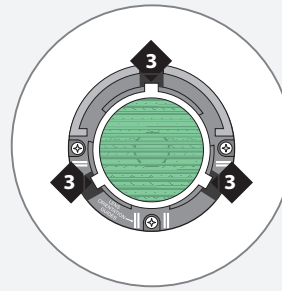
- 1 Place lenses (max. 2, optional) inside the lens holder.

9B



- 2 Use the lens orientation guides to align linear spread lenses vertically or horizontally.

9C



- 3 Line up the legs of the lens holder with the notches on the lamp holder and push the lens holder on.