

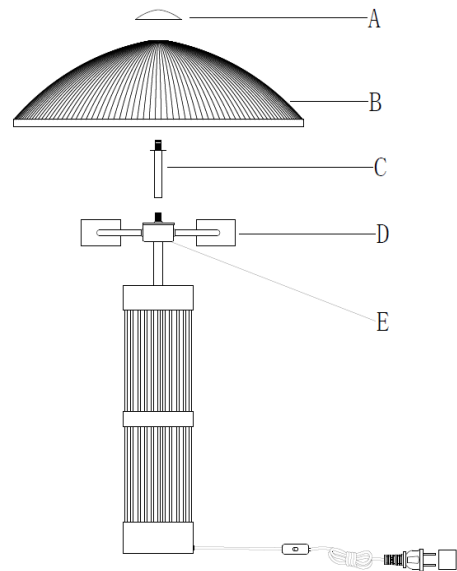
# JAMIE YOUNG CO

## ASSEMBLY INSTRUCTIONS

ITEM:9SEYCHETLRAT

### Instructions:

1. Please Screw (2) 60 Watt Bulbs into Socket (D).
2. Put the Rod (C) onto the Base (E) to tighten.
3. Put the Shade (B) onto the Rod (C) .
4. Put Finial (A) onto the Rod (C) to tighten.



### IMPORTANT SAFETY INSTRUCTIONS

THIS PORTABLE LAMP HAS A POLARIZED PLUG(ONE BLADE IS WIDER THAN THE OTHER)AS A SAFETY FEATURE TO REDUCE THE RISK OF ELECTRIC SHOCK.THIS PLUG WILL FIT IN A POLARIZED OUTLET ONLY ONE WAY.IF THE PLUG DOES NOT FIT FULLY IN THE OUTLET,REVERSE THE PLUG.IF IT STILL DOES NOT FIT,CONTACT A QUALIFIED ELECTRICIAN.NEVER USE WITH AN EXTENSION CORD UNLESS PLUG CAN BE FULLY INSERTED.DO NOT ALTER THE PLUG.