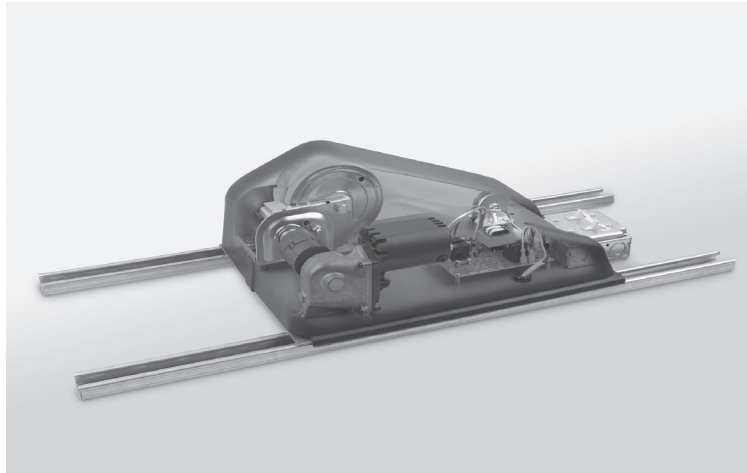


# ALADDIN<sup>®</sup>

## ALL200/ALL200-CM INSTALLATION INSTRUCTIONS



Aladdin<sup>®</sup> Light Lift, Inc.  
61 Shields Road  
Huntsville, AL 35811

(256) 429-9700  
(877) 287-4601  
[www.aladdinlightlift.com](http://www.aladdinlightlift.com)

Patent #5105349

**WARNING: Disconnect power source before servicing to avoid electrical shock**

**CAUTION: To Reduce the Risk of Electric Shock or Injury, Use Indoors Only.**

**Light and motor circuits are rated at AC 110V**

**Pour usage seulement dans un endroit**

**Avec acces au dessus du plafonds**

**Model Number: ALL200 (200lb. rated working load, 1/8" steel galvanized lay cable, 1.5amp, 50/60Hz)**  
**MC Cable (if checked)**

**Light lift is equipped with a 35' cable unless checked below:**

65'  
90'  
120'

**Light lift is equipped with a 1,650 watt (15 amps)**  
**lighting capacity unless checked below:**  
2200 watts (20 amps)



Electric Hoist  
91F5

\_\_\_\_\_  
Manufacture Date

© 2017 All Rights Reserved

## **Read the following guidelines prior to installing the ALL200:**

- I. The ALL200 must be installed by a licensed, bonded and insured electrician.
- II. The ALL200 must be installed level, in an accessible location and directly above the chandelier. If the lift must be mounted directly above the fixture and there is no access, provide an access panel or cut a hole underneath the light lift and cover with a removable medallion.
- III. For installation clarification, click the Youtube links or scan the QR codes located throughout the Installation Instructions.
- IV. Thoroughly read, understand and follow each step and safety warning in the ALL200 Installation Instructions and orange safety precautions supplement.
- V. During installation of the ALL200, take one step at a time and check off each step upon completion.
- VI. The Troubleshooting Guide is located in the back of the Installation Instructions. Call Aladdin Light Lift (877) 287-4601 if assistance is needed for installation and/or operation of the ALL200. Refer to the Keyswitch Controller Guide or Smartlift Controller Guide for operation instructions.
- VII. Ignoring any safety warnings and/or symbols not only voids the warranty, but may cause death, personal injury and/or property damage.
- VIII. The Warranty Agreement is located on the last page of Installation Instructions.
- IX. Give all Aladdin paperwork to property owner and/or anyone that will be using ALL200.

## **ALL200 Parts Bag List**



A. #10 x 1 1/4" Pan Phillips-Wood Screws (QTY 4)



B. 3/16" x 1" Fender Washers (QTY 4)



C. Thread Lock (QTY 1)



D. 3/32" Allen Wrench (QTY 1)

## STEP 1

Determine where ALL200 will mount on ceiling joists. ALL200 must be installed level, in an accessible location directly above chandelier. [https://youtu.be/yLV\\_1HaU56Y](https://youtu.be/yLV_1HaU56Y)



**!** Never mount the ALL200 off plane or unlevel in a standard installation. This could cause the chandelier to fall, which could cause death, personal injury, and/or property damage. The winch cable must hang plumb through the center of the top contact plate on the ceiling box.

**!** Never install the ALL200 where the ceiling height exceeds five feet less than the exact length of winch cable. For example, if the ALL200 is equipped with a 35ft. cable, do not install the ALL200 in a ceiling that is greater than 30ft. This could cause the cable to become reverse wrapped on the winch. An ALL200 installed with a reverse wrapped cable could cause the chandelier to fall, which could cause death, personal injury, and/or property damage. Winch cable length can be found on the ALL200 product sticker, shipping box and the front page of these installation instructions.

## STEP 2

After turning off power, remove and discard existing electrical box if present in ceiling. Only use ceiling box provided with ALL200. See Diagram A.

**!** Never remove an existing ceiling box while the power is connected. Electricity could cause death, personal injury, and/or property damage.

## STEP 3

Cut a 4 1/2" hole in ceiling for ceiling box. If you removed an existing ceiling box, existing hole may need to be enlarged.

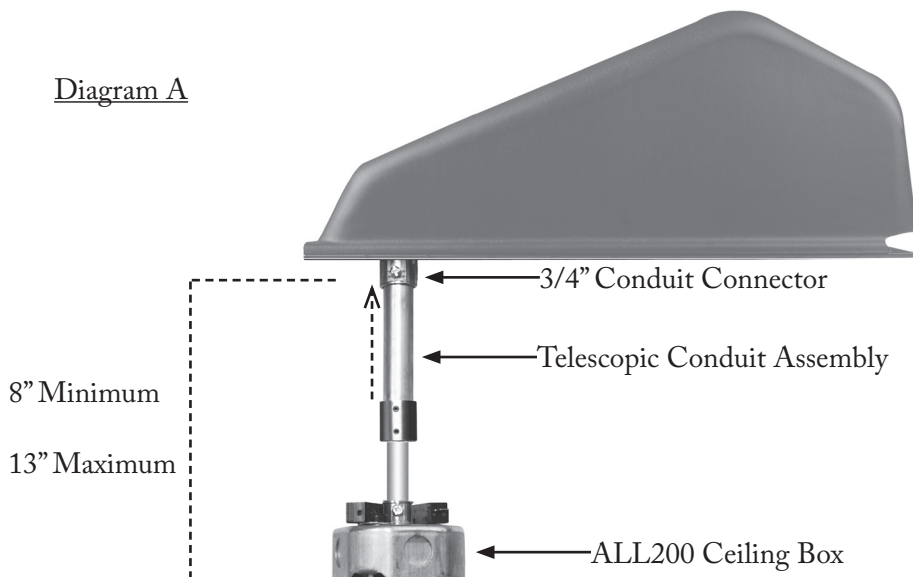
## STEP 4

Attach conduit assembly to 3/4" conduit connector mounted below pulley. Once completely inserted, tighten set screw on conduit connector. The minimum measurement from the bottom of the ceiling box up to the bottom of the channel strut is 8". Additional framing may be required to add depth and maintain adjustability of the conduit assembly. See Diagram A. <https://youtu.be/JghN8ECvTz4>



**!** Never attach or adjust the conduit assembly improperly. This could interfere with the automatic shutoff system and could cause the chandelier to fall, which could cause death, personal injury, and/or property damage.

Diagram A



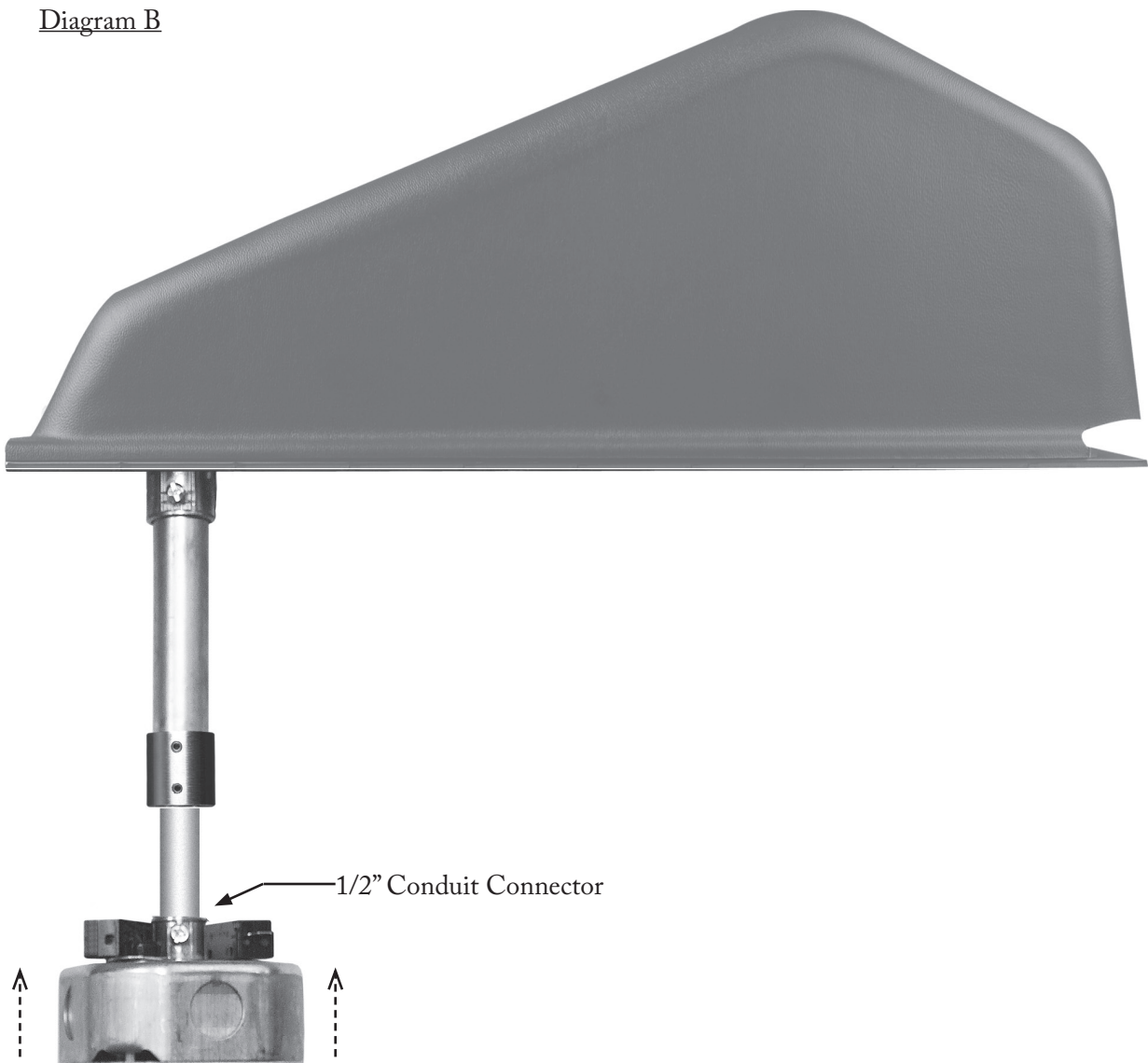
## **STEP 5**

Attach the 1/2" conduit connector on ceiling box to bottom of conduit assembly. Once completely inserted, tighten set screw on conduit connector. See Diagram B. <https://youtu.be/JgbN8ECvTz4>



**!** Never attach or adjust the conduit assembly improperly. This could interfere with the automatic shutoff system and could cause the chandelier to fall, which could cause death, personal injury, and/or property damage.

Diagram B



## **STEP 6**

Tighten temporary five pound weight to fixture coupler on bottom contact plate. Make sure jam nut on weight is tight.

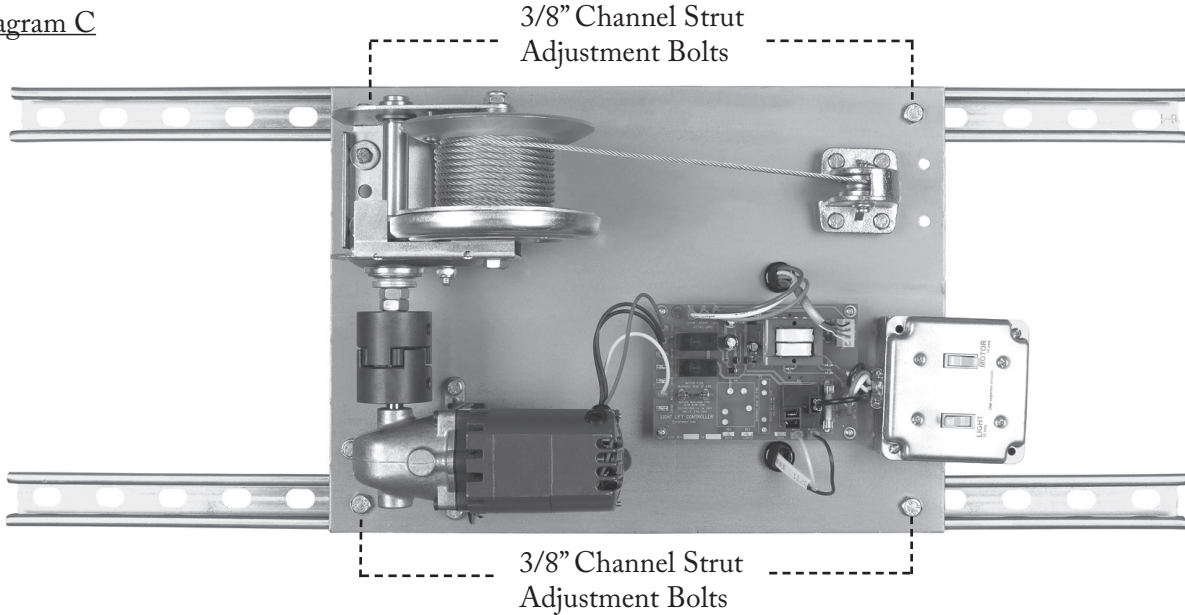
**!** Never install or operate an ALL200 before securing the temporary five pound weight to the fixture coupler. This could cause the temporary weight to fall, which could cause death, personal injury, and/or property damage.

## STEP 7

Position ALL200 where ceiling box will be centered in ceiling hole. Weight and bottom contact plate assembly should hang down through ceiling hole. Adjustments can be made loosening 3/8" channel strut bolts that hold ALL200 to channel struts. Retighten channel strut bolts after adjustments are made. Confirm channel strut nuts are seated properly. See [Diagram C](#).

**⚠ Never adjust the channel struts improperly. This could cause the chandelier to fall, which could cause death, personal injury, and/or property damage.**

[Diagram C](#)



## STEP 8

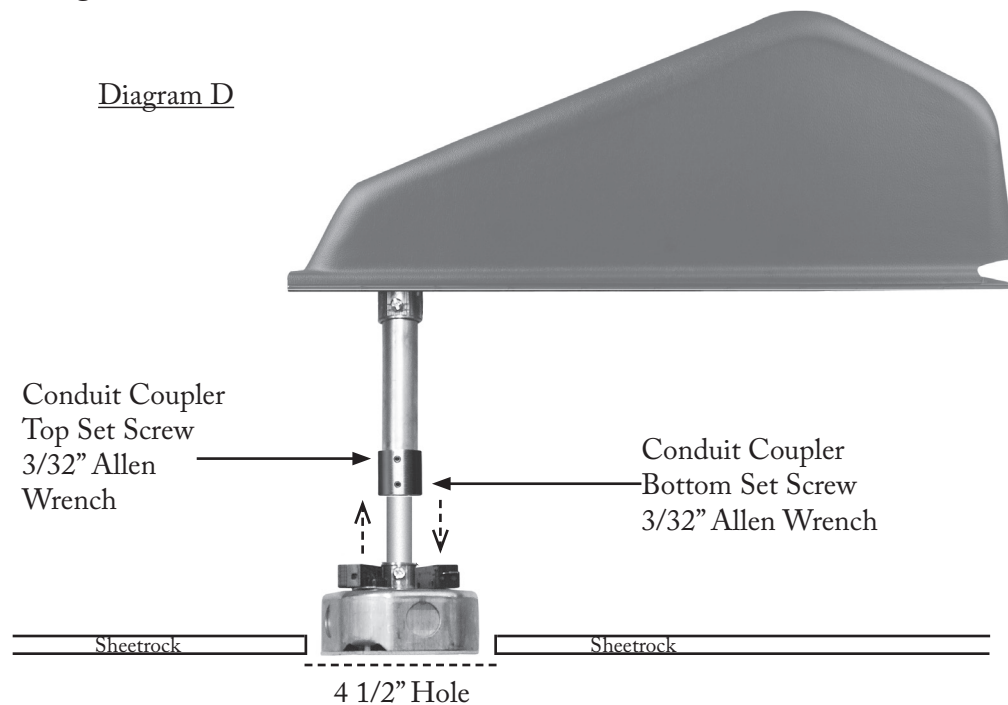
Adjust ceiling box elevation up or down to be flush with sheetrock (this is a starting position, after the fixture is installed see step 23 for final adjustments). Use 3/32" Allen wrench on conduit coupler to loosen bottom set screw. Conduit assembly is telescopic. The ceiling box should not touch inside of ceiling hole. Retighten bottom set screw on conduit coupler and confirm top set screw is tight. See [Diagram D](#).

<https://youtu.be/EbAGV2gLK2E>

**⚠ Never attach or adjust the conduit assembly improperly. This could interfere with the automatic shutoff system and could cause the chandelier to fall, which could cause death, personal injury, and/or property damage.**



[Diagram D](#)





## STEP 9

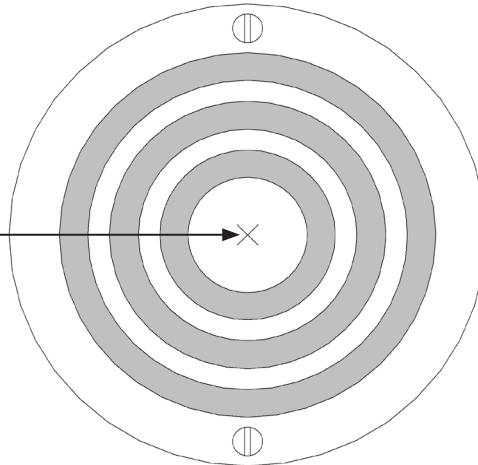
Shim and adjust ALL200 so that winch cable hangs plumb through center of hole in top contact plate on ceiling box. See [Diagram E](#). Look up at ceiling box from floor level to verify cable is plumb.  
<https://youtu.be/wpEWWOCVCM>



**!** Never install the ALL200 where the cable is not plumb through the center of the ceiling box. This could interfere with the automatic shutoff system and could cause the chandelier to fall, which could cause death, personal injury, and/or property damage.

Diagram E

Confirm winch cable hangs plumb through center of hole in top contact plate on ceiling box.



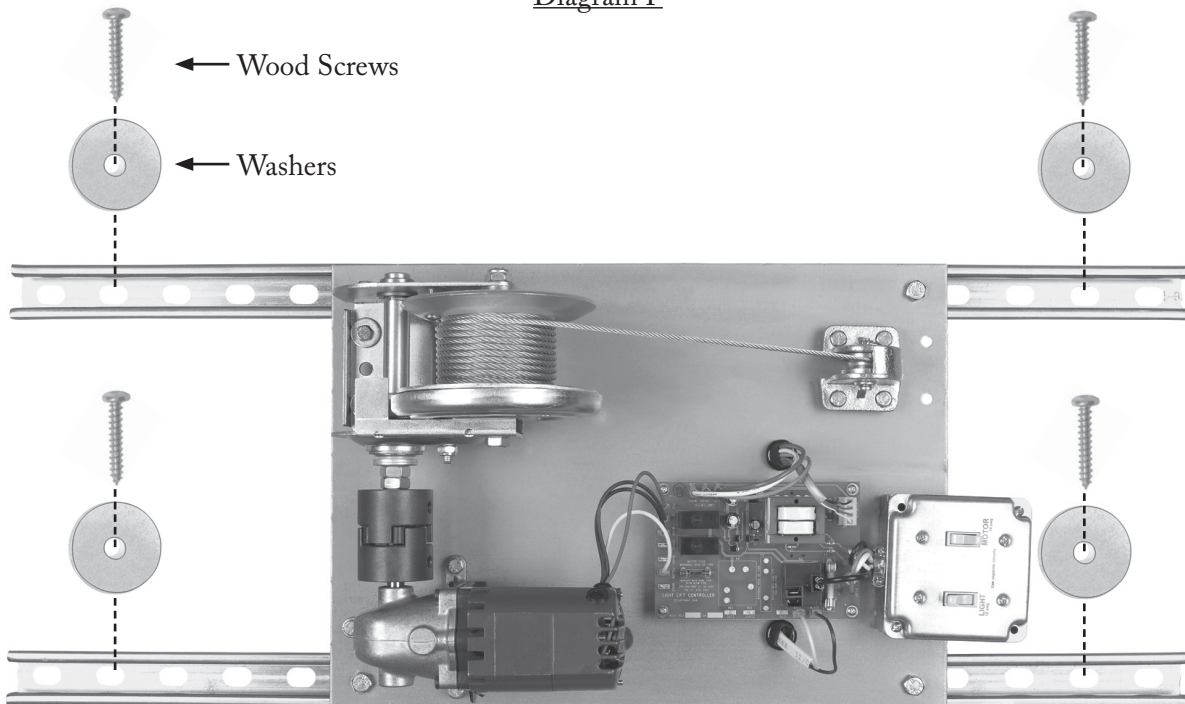
View from Floor Level

## STEP 10

Fasten ALL200 to floor joists using wood screws (part A) and washers (part B) included in parts bag. See [Diagram F](#).

**!** Never install the ALL200 without properly fastening it to the floor joists. This could interfere with the automatic shutoff system and could cause the chandelier to fall, which could cause death, personal injury, and/or property damage.

Diagram F



## STEP 11

Turn off supply power before wiring ALL200. Turn off motor switch in square box. Wire motor switch with 110V wiring (cannot wire to an arc fault breaker). The 110V motor feed must be kept separate from 110V light switch leg. Keep motor and light neutrals separate. The lift's motor neutral is white and 14 gauge. Motor draws 2 amps or less at 110V. See [Diagram G](#). <https://youtu.be/7TIXOAAKvUM?t=25s>



**Never wire the ALL200 improperly. Make sure electricity is turned off when installing and/or performing maintenance on the ALL200. Improper wiring and/or electricity could cause death, personal injury, and/or property damage.**

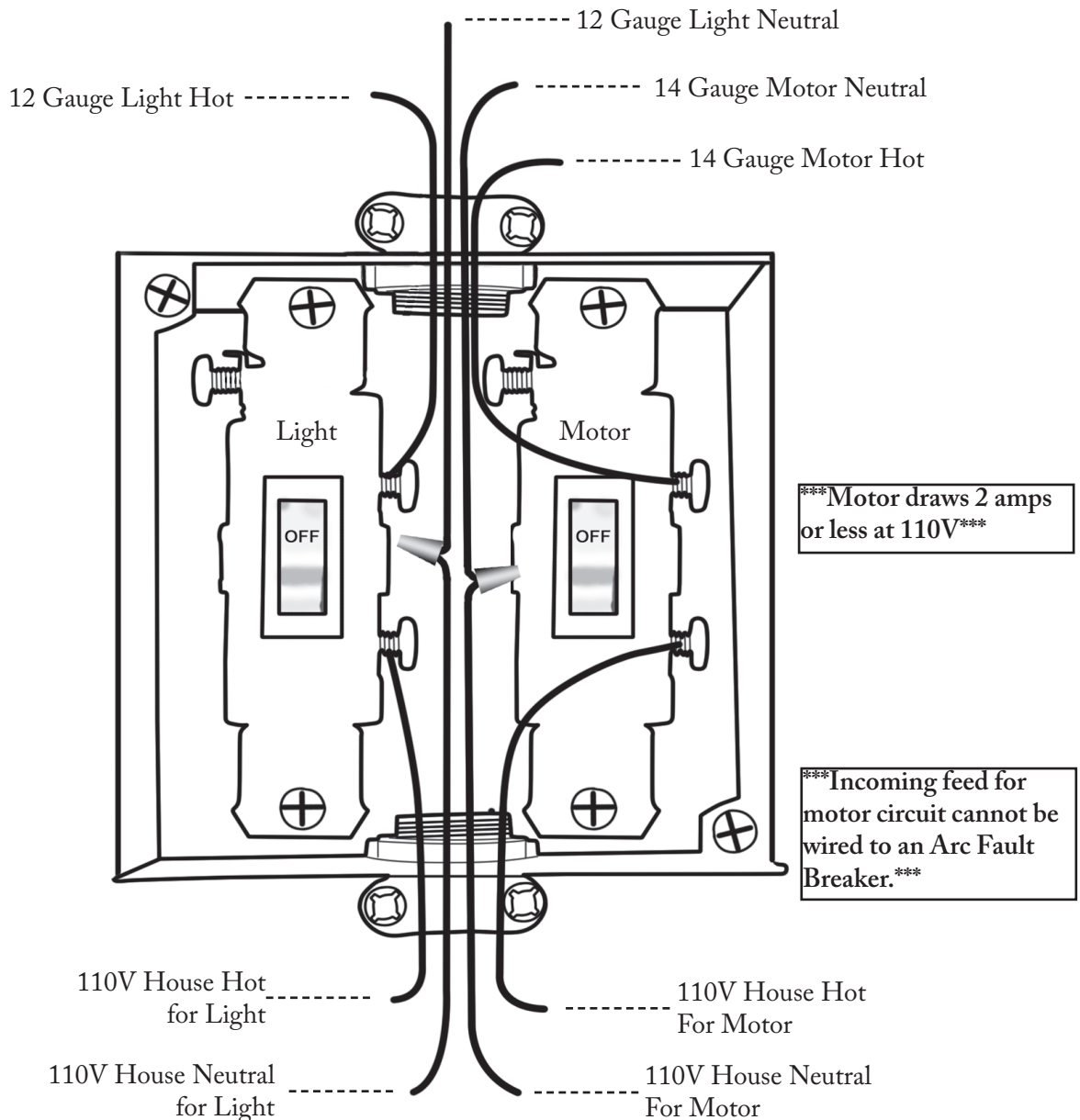
## STEP 12

Turn off supply power before wiring ALL200. Turn off light switch in square box. Wire light switch with 110V wiring. The 110V light switch leg can not be used as motor feed. Keep light and motor neutrals separate. The lift's light neutral is white and 12 gauge. If wired properly, a dimmer may be used. Wire a two-circuit light package on separate phases for lights (2 hots - 1 neutral). See [Diagram G](#). <https://youtu.be/7TIXOAAKvUM?t=25s>



**Never wire the ALL200 improperly. Make sure electricity is turned off when installing and/or performing maintenance on the ALL200. Improper wiring and/or electricity could cause death, personal injury, and/or property damage.**

Diagram G



## **STEP 13**

Remove dust cover and remove paper tape from winch drum while keeping tension on winch cable.



**Never operate the ALL200 without tension on the cable. Never remove or tamper with the cable safety device. Never install an ALL200 that has the cable safety device removed or tampered with. The cable safety device consists of the limit switch and small gauge rectangular wire. It is located directly in front of the winch drum. Removing or tampering with the cable safety device could cause the cable to become reversed wrapped on the winch. This could also cause the cable to unravel off the winch drum and get damaged. Never install or operate an ALL200 that has a frayed, kinked, or otherwise damaged cable. Never operate the ALL200 without first removing the paper tape from the winch drum. Avoiding any of these safety warnings could cause the chandelier to fall, which could cause death, personal injury, and/or property damage.**

## **STEP 14**

Replace dust cover and locate controller wire. Controller wire is a low voltage, gray sheathed, four conductor wire with white plugs on either end.

## **STEP 15**

Run controller wire in to single gang box for Keyswitch Controller or optional SmartLift Controller. Chandelier must be visible from controller location. <https://youtu.be/7TIXOAAKvUM>



## **STEP 16**

If using a Keyswitch Controller instead of a SmartLift Controller, secure key cylinder to cover plate using supplied keyswitch nut.

Plug controller to controller wire. Use supplied cover plate screws to attach controller to single gang box.

## **STEP 17**

Ensure paper tape is removed from winch drum (Step 13). Test motor and automatic shut-off system of ALL200. For operation instructions, reference Keyswitch Controller Guide or SmartLift Controller Guide, then follow below:

Run ALL200 down a few inches. Run ALL200 up to CEILING POSITION. When ALL200 pulls bottom contact plate and temporary weight to CEILING POSITION, the motor will, if installed and mounted properly, shut off by itself. <https://youtu.be/AcaCOVKDM3A>



Call Aladdin Light Lift (877) 287-4601 immediately if ALL200 does not shut off at CEILING POSITION.



**Never extend the full length of winch cable from the ALL200. This could cause the cable to become reverse wrapped on the winch. An ALL200 installed with a reverse wrapped cable can cause the chandelier to fall, which could cause death, personal injury, and/or property damage. Refer to the Keyswitch or SmartLift Controller tag for correct operating instructions. Winch cable length can be found on the ALL200 product sticker, shipping box and the front page of these installation instructions.**

## **STEP 18**

Run ALL200 down until temporary weight is at desired elevation to hang chandelier.

## **STEP 19**

Holding tension on cable, unscrew weight from fixture coupler.



**Never operate the ALL200 without tension on the cable. This could cause the cable to wind off the winch drum and get damaged. A damaged cable could cause the chandelier to fall, which could cause death, personal injury, and/or property damage.**



## STEP 20

Fully thread screw collar loop or threaded stem that was supplied with chandelier to 1/4 IPS fixture coupler. If chandelier was supplied with a 1/8 IPS, 3/8 IPS, or 1/2 IPS screw collar loop or threaded stem, contact Aladdin Light Lift (877) 287-4601 to obtain proper coupler. See Diagram H.  
<https://youtu.be/-MARQGfesIQ>



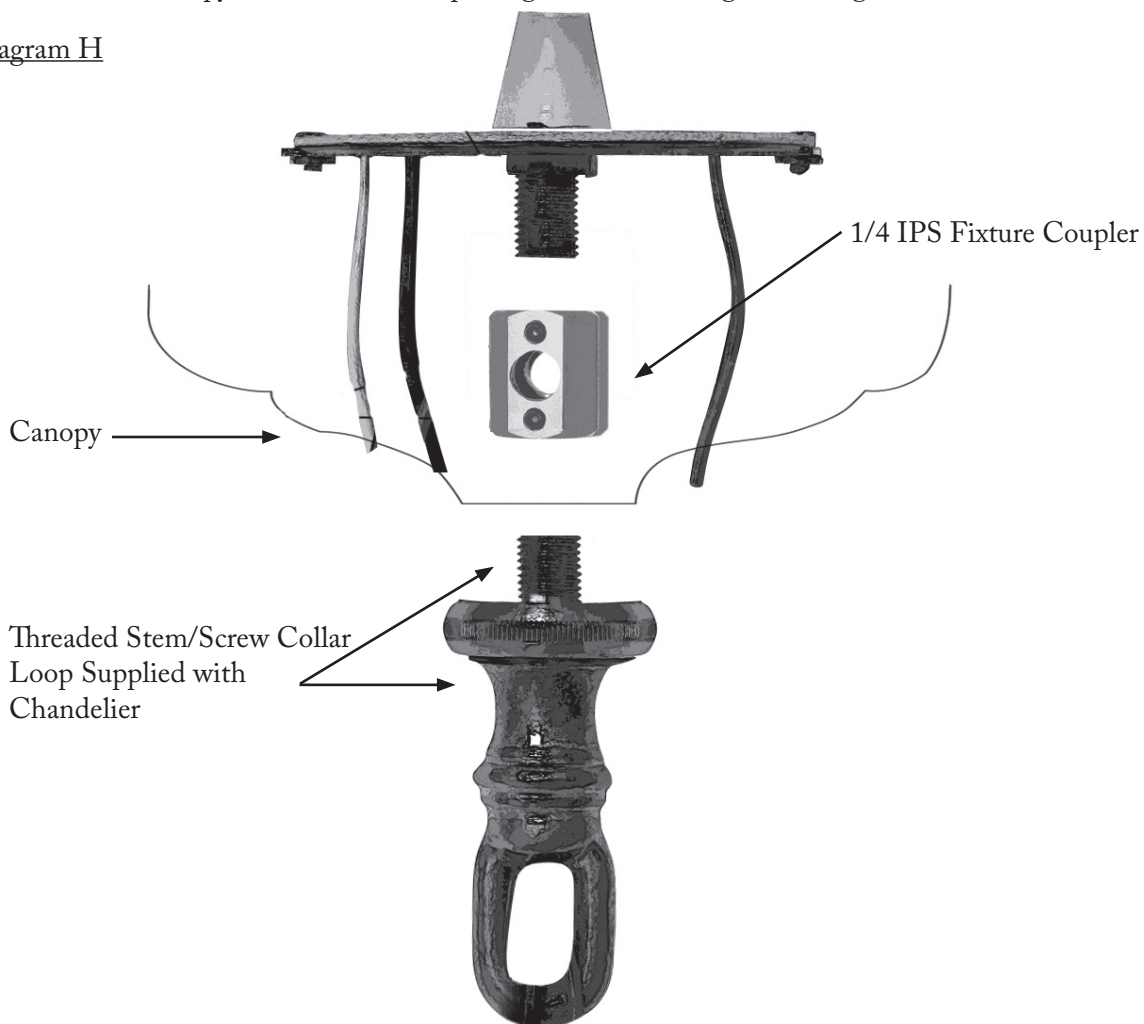
**!** Never install a chandelier on an ALL200 using metric threaded fittings. They will not thread together properly and could cause the chandelier to fall, which could cause death, personal injury, and/or property damage. Only use IPS threaded fittings.

**!** Never hang a chandelier from an ALL200 using anything but the Aladdin Light Lift supplied fixture coupler, bottom contact plate, and dowel pin. This could cause the chandelier to fall, which could cause death, personal injury, and/or property damage.

## STEP 21

Attach chandelier canopy to screw collar loop using screw collar rings. See Diagram H.

Diagram H



## STEP 22

Adjust chandelier chain to desired length and attach to screw collar loop.

**!** Never cut, modify, or adjust the winch cable and never install an ALL200 with a cut, modified or adjusted winch cable. Adjust the chandelier elevation by adjusting the chandelier chain or stem. An ALL200 installed with a cut, modified, or improperly adjusted cable could cause the chandelier to fall, which could cause death, personal injury, and/or property damage.

## STEP 23

Adjust canopy and telescopic conduit assembly so contact plates meet before the canopy touches the ceiling. See Diagram I. <https://youtu.be/eQqLRÆxFq8>



**Never allow the chandelier canopy to make contact with the ceiling before the contact plates meet. This could interfere with the automatic shutoff system and could cause the chandelier to fall, which could cause death, personal injury, and/or property damage.**

## STEP 24

Loosen bottom screw collar ring to allow easy wire access. See Diagram I.

## STEP 25

Run chandelier wires through screw collar or threaded stem and pull through fixture coupler holes. See Diagram I. <https://youtu.be/-MARQGfesIQ>



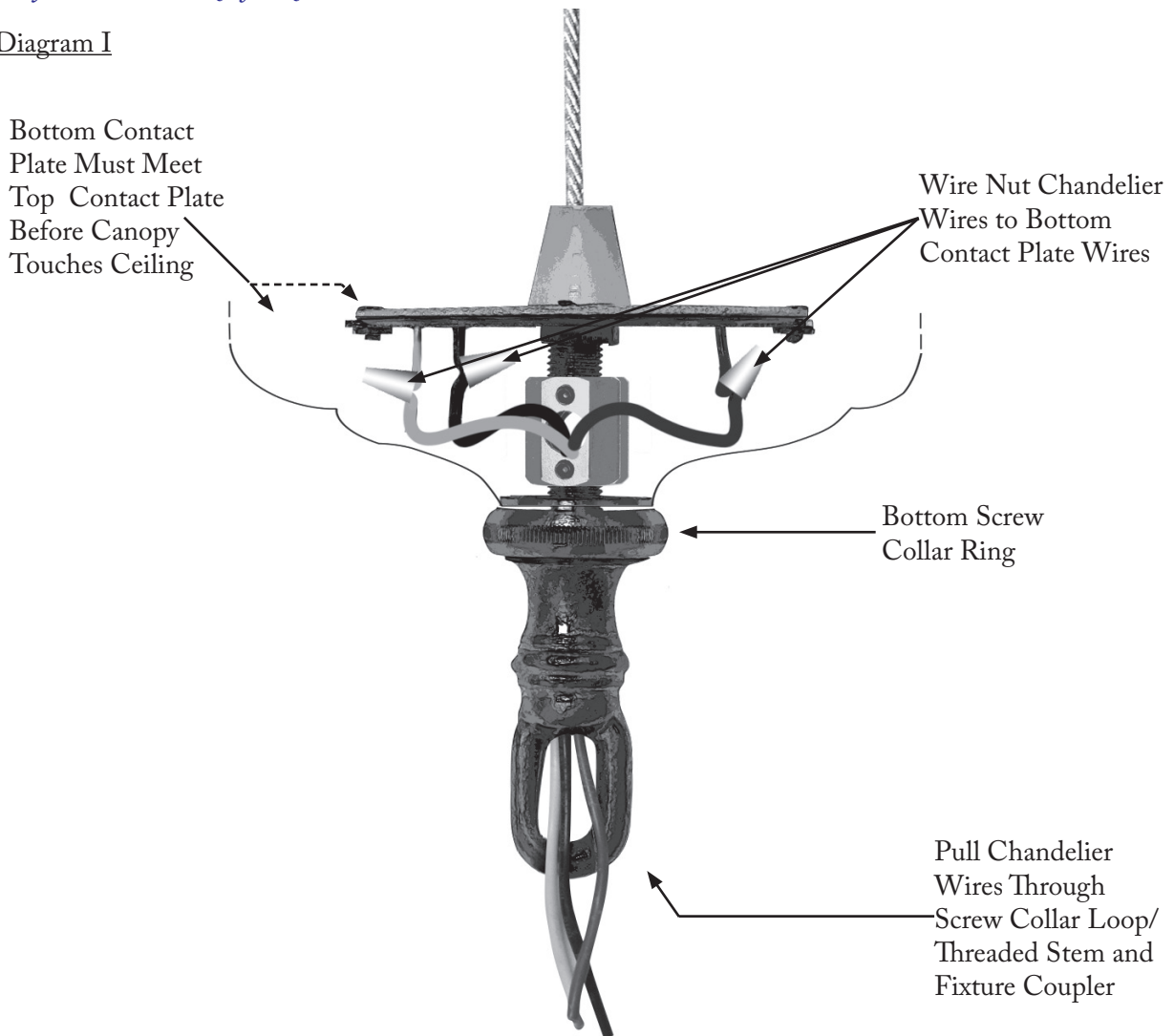
## STEP 26

Wire nut chandelier hot wire to black bottom contact plate wire, neutral to white, and ground to green. If the chandelier has two hot wires, wire extra hot to red wire. See Diagram I. Bare ground wire from chandelier can not touch underside of bottom contact plate. A direct short will occur.

<https://youtu.be/-MARQGfesIQ>



Diagram I



## STEP 27

Tighten fixture coupler set screws using supplied 3/32" Allen wrench. Fixture coupler set screws have thread lock already applied at factory. See Diagram K. <https://youtu.be/-MARQGfesIQ>



## STEP 28

Apply supplied liquid thread lock (part D) to all fittings including fixture coupler and screw collar loop fittings.



**Never attach the chandelier to the ALL200 improperly. Failure to secure the fixture coupler set screws and properly apply thread lock could cause the chandelier to fall, which could cause death, personal injury, and/or property damage.**

## STEP 29

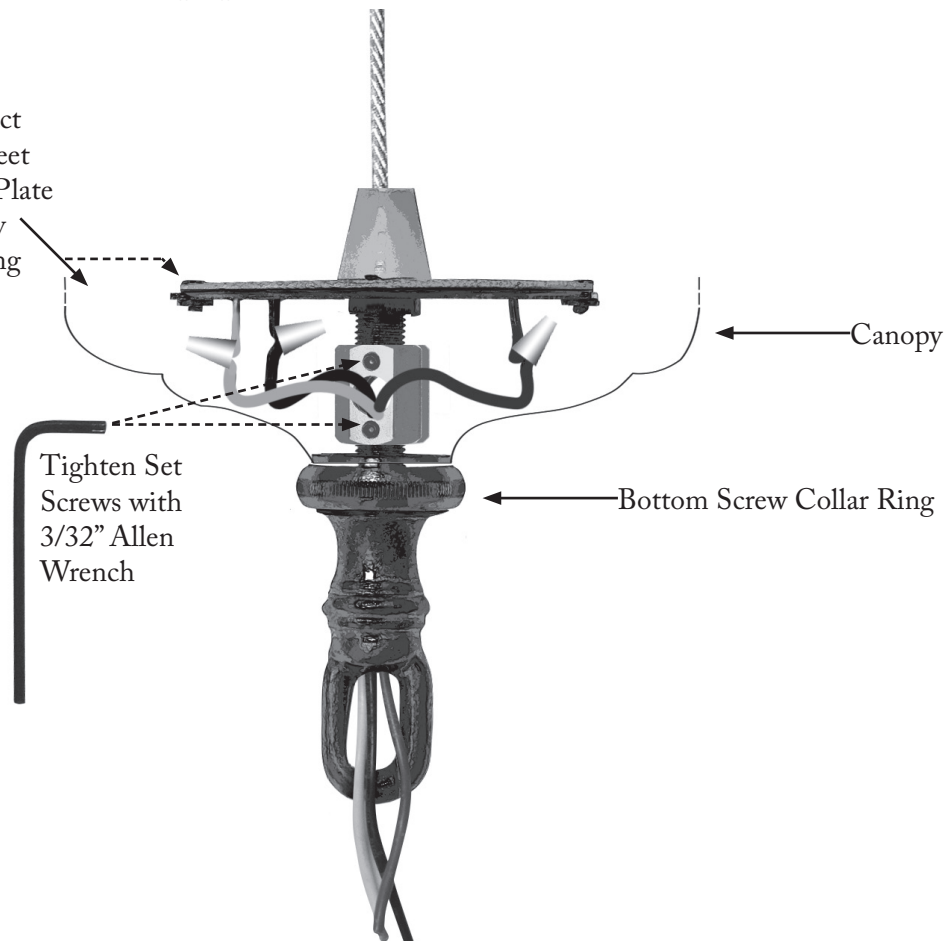
Replace canopy and screw collar ring. Confirm adjustment of canopy and telescopic conduit assembly allows contact plates to meet before the canopy touches the ceiling. See Diagram K. [https://youtu.be/GT\\_nwiZWa9o](https://youtu.be/GT_nwiZWa9o)



**Never allow the chandelier canopy to make contact with the ceiling before the contact plates meet. This could interfere with the automatic shutoff system and could cause the chandelier to fall, which could cause death, personal injury, and/or property damage.**

Diagram K

Bottom Contact  
Plate Must Meet  
Top Contact Plate  
Before Canopy  
Touches Ceiling



## STEP 30

Confirm winch cable still hangs plumb through center of hole in top contact plate on ceiling box. See STEP 9 and Diagram E. <https://youtu.be/IoMS5aDNN04>



## STEP 31

Operate ALL200 to the CEILING POSITION. Test lights and call Aladdin Light Lift (877) 287-4601 with any questions regarding installation and/or operation of ALL200. [https://youtu.be/GT\\_nwiZWa9o](https://youtu.be/GT_nwiZWa9o)



# ALL200 TROUBLESHOOTING GUIDE

**TECH SUPPORT: (877) 287-4601 Monday through Friday 8:00am to 4:00pm CST**

I. Troubleshooting and installation must be performed by a licensed, bonded, and insured electrician. Electricity can cause death, personal injury, and/or property damage.

II. To perform most troubleshooting procedures, the following tools will be needed:

- a. 5/16" nut driver or 5/16" socket and ratchet
- b. Volt Meter
- c. 14 AWG jumper wire

III. Prior to troubleshooting or installation, read, understand and follow each safety warning in the ALL200 installation instructions and safety precautions supplement. Failure to follow Aladdin's safety precautions and/or warnings could cause the chandelier to fall, which could cause death, injury, and/or property damage.

SYMPTOM: ALL200 DOES NOT OPERATE: <https://youtu.be/AcaCOVKDM3A>



Once ALL200 is installed per the installation instructions, use the following steps to troubleshoot.

1. Confirm motor switch in the square box is turned on. The square box is mounted on the chassis plate of the ALL200, right in front of the control board. If it was found in the off position, flip it to the on position and use the controller to test the ALL200. If ALL200 still does not operate, proceed to step 2.
2. Turn the motor and light switch in the square box to the off position. Using the 5/16" nut driver or socket, remove control board cover. Confirm motor fuse is good. The motor fuse is held to the control board by fuse clips and is located right in front of the motor assembly. Remove and perform a continuity test on the motor fuse. If the fuse reads continuity, place it back in the fuse clips. If it does not read continuity, it must be replaced with a good, 1.6 amp, slow blow fuse. Turn the motor and light switch in the square box to the on position, and use controller to test the ALL200. If the ALL200 still does not operate, proceed to step 3.
3. Turn the motor and light switch in the square box to the off position. Confirm limit switch wires are attached properly. Confirm the limit switch wires are properly connected to the limit switch as well as the limit switch terminals on the control board. The limit switch is located on top of the ceiling box. The purple or white limit switch wire should be plugged from COM on the control board to the single terminal side of one limit switch. The orange or green limit switch wire should be plugged from NO on the control board to the top limit switch terminal on the double terminal side of the limit switch. The brown or red limit switch wire should be plugged from NC on the control board to the bottom limit switch terminal on the double terminal side of the limit switch. If limit wires were found plugged incorrectly, plug them to their corresponding terminal and use the controller to test the ALL200. <https://youtu.be/AcaCOVKDM3A>  
If the ALL200 still does not operate, proceed to step 4.
4. From where the ALL200 is installed, call Aladdin Light Lift technical support Monday through Friday during normal business hours at (877) 287-4601.



SYMPTOM: CHANDELIER WILL NOT LIGHT:

Once the ALL200 is installed per the installation instructions, use the following steps to troubleshoot.

Note: If the top contact plate is painted, the chandelier will not light. The motor circuit must be hot in order for the lights to work.

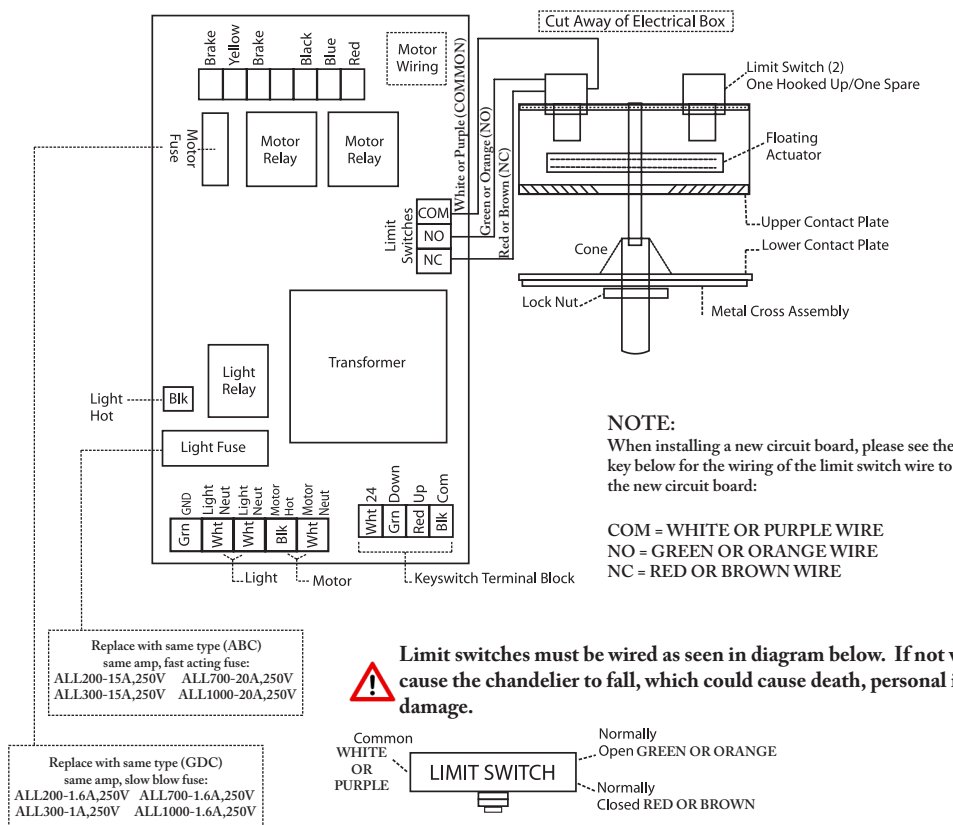
# ALL200 TROUBLESHOOTING GUIDE cont.

1. Confirm ALL200 is at the CEILING POSITION. If not, use the controller to operate the ALL200 to the CEILING POSITION. Chandelier will only light at the CEILING POSITION. If operated to the CEILING POSITION and the chandelier will still not light, proceed to step 2.
2. Confirm light and motor switch in the square box are turned on. The square box is mounted on the chassis plate of the ALL200, right in front of the control board. If it was found in the off position, flip it to the on position and test the chandelier. If chandelier still does not light, proceed to step 3.
3. Turn the motor and light switch in the square box to the off position. Confirm light fuse is good. The light fuse is held to the control board by fuse clips and is located right in front of the light relay. Remove and perform a continuity test on the light fuse. If the fuse reads continuity, place it back in the fuse clips. If it does not read continuity, it must be replaced with a new, 15 amp, fast blow fuse. If the ALL200 was equipped with a 2200 watt upgrade package, replace with a new, 20 amp, fast blow fuse. Turn the motor and light switch in the square box to the on position, and test the chandelier. If the chandelier still does not light, proceed to step 4.
4. From where the ALL200 is installed, call Aladdin Light Lift technical support Monday through Friday during normal business hours at (877) 287-4601. A voltage meter will be needed to further test the ALL200.

## SYMPTOM: ALL200 WILL NOT SHUT OFF PROPERLY AT CEILING POSITION:

Discontinue use immediately and contact Aladdin Light Lift at (877) 287-4601.

After all troubleshooting is complete, replace control board cover.





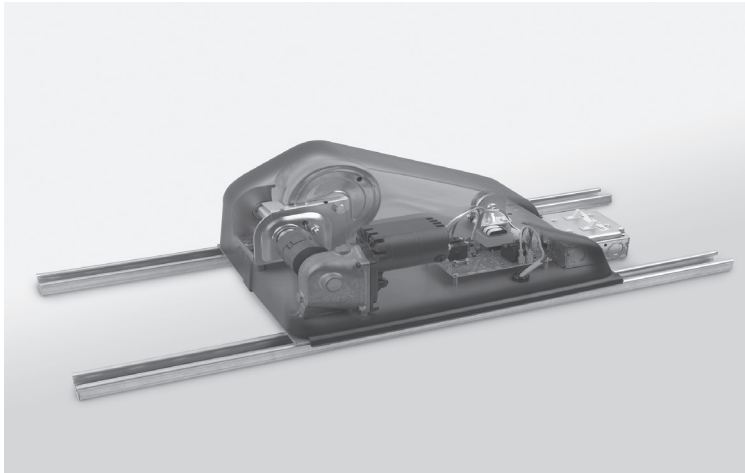
## **Warranty Agreement**

Aladdin Light Lift, Inc. warrants its chandelier light lift unit for one year from the date of purchase. The warranty includes all parts provided the unit is installed properly by a licensed electrician. Labor charges will be the responsibility of the purchaser. If the unit does not operate properly, the purchaser must contact a factory authorized service technician approved by Aladdin Light Lift, Inc. to determine if the unit was installed properly. The technician will furnish a written report to the purchaser and Aladdin concerning any problem with the lift system which will be binding on all parties concerned. All defective parts must be returned to Aladdin Light Lift, Inc. for the warranty to apply. Any alteration or by-passing of the electrical or mechanical system of exceeding the wattage maximum (as indicated on the lift) will void the warranty and can result in an electrical hazard. This warranty agreement showing date of purchase and distributor must be filled out at [www.aladdinlightlift.com/warranty-card.php](http://www.aladdinlightlift.com/warranty-card.php) within 30 days of purchase to validate the warranty. Call your distributor to obtain the name of a factory authorized technician in your area.

# ALADDIN®

## ALL300/ALL300-CM

### INSTALLATION INSTRUCTIONS



Aladdin® Light Lift, Inc.  
61 Shields Road  
Huntsville, AL 35811

(256) 429-9700  
(877) 287-4601  
[www.aladdinlightlift.com](http://www.aladdinlightlift.com)

Patent #5105349

WARNING: Disconnect power source before servicing to avoid electrical shock

CAUTION: To Reduce the Risk of Electric Shock or Injury, Use Indoors Only.

Light and motor circuits are rated at AC 110V

Pour usage seulement dans un endroit

Avec acces au dessus du plafonds



Model Number: ALL300 (300lb. rated working load, 1/8" steel galvanized lay cable, 1.5amp, 50/60Hz)  
MC Cable (if checked)

Light lift is equipped with a 35' cable unless checked below:

65'  
90'  
120'

Light lift is equipped with a 1,650 watt (15 amps)  
lighting capacity unless checked below:

2200 watts (20 amps)



\_\_\_\_\_  
Manufacture Date

© 2017 All Rights Reserved

## **Read the following guidelines prior to installing the ALL300:**

- I. The ALL300 must be installed by a licensed, bonded and insured electrician.
- II. The ALL300 must be installed level, in an accessible location and directly above the chandelier. If the lift must be mounted directly above the fixture and there is no access, provide an access panel or cut a hole underneath the light lift and cover with a removable medallion.
- III. For installation clarification, click the Youtube links or scan the QR codes located throughout the Installation Instructions.
- IV. Thoroughly read, understand and follow each step and safety warning in the ALL300 Installation Instructions and orange safety precautions supplement.
- V. During installation of the ALL300, take one step at a time and check off each step upon completion.
- VI. The Troubleshooting Guide is located in the back of the Installation Instructions. Call Aladdin Light Lift (877) 287-4601 if assistance is needed for installation and/or operation of the ALL300. Refer to the Keyswitch Controller Guide or Smartlift Controller Guide for operation instructions.
- VII. Ignoring any safety warnings and/or symbols not only voids the warranty, but may cause death, personal injury and/or property damage.
- VIII. The Warranty Agreement is located on the last page of Installation Instructions.
- IX. Give all Aladdin paperwork to property owner and/or anyone that will be using ALL300.

## **ALL300 Parts Bag List**



A. #10 x 1 1/4" Pan Phillips-Wood Screws (QTY 4)



B. 3/16" x 1" Fender Washers (QTY 4)



C. Thread Lock (QTY 1)



D. 3/32" Allen Wrench (QTY 1)



E. 1/4 IPS x 3/8 IPS Fixture Coupler (QTY 1)

## STEP 1

Determine where ALL300 will mount on ceiling joists. ALL300 must be installed level, in an accessible location directly above chandelier. [https://youtu.be/yLV\\_1HaU56Y](https://youtu.be/yLV_1HaU56Y)



**!** Never mount the ALL300 off plane or unlevel in a standard installation. This could cause the chandelier to fall, which could cause death, personal injury, and/or property damage. The winch cable must hang plumb through the center of the top contact plate on the ceiling box.

**!** Never install the ALL300 where the ceiling height exceeds five feet less than the exact length of winch cable. For example, if the ALL300 is equipped with a 35ft. cable, do not install the ALL300 in a ceiling that is greater than 30ft. This could cause the cable to become reverse wrapped on the winch. An ALL300 installed with a reverse wrapped cable could cause the chandelier to fall, which could cause death, personal injury, and/or property damage. Winch cable length can be found on the ALL300 product sticker, shipping box and the front page of these installation instructions.

## STEP 2

After turning off power, remove and discard existing electrical box if present in ceiling. Only use ceiling box provided with ALL300. See [Diagram A](#).

**!** Never remove an existing ceiling box while the power is connected. Electricity could cause death, personal injury, and/or property damage.

## STEP 3

Cut a 4 1/2" hole in ceiling for ceiling box. If you removed an existing ceiling box, existing hole may need to be enlarged.

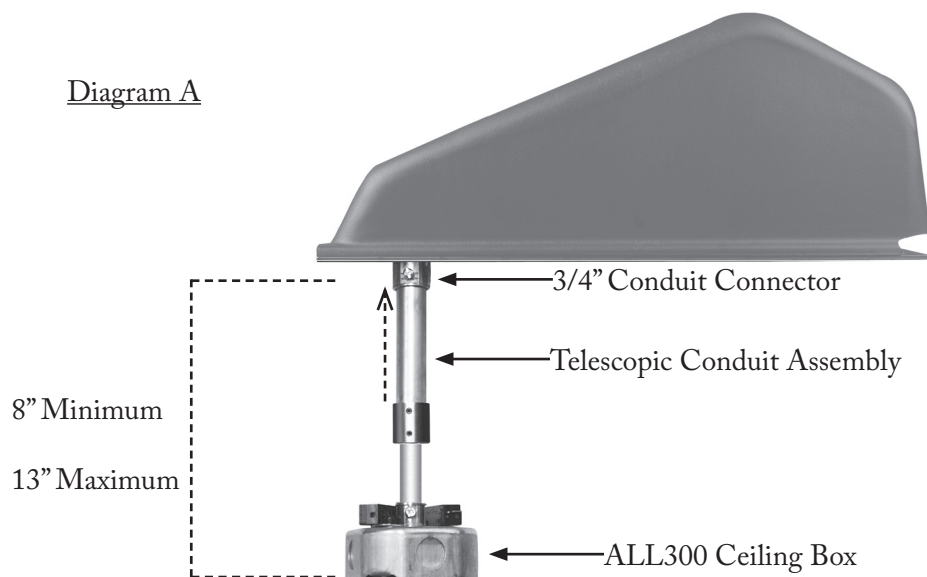
## STEP 4

Attach conduit assembly to 3/4" conduit connector mounted below pulley. Once completely inserted, tighten set screw on conduit connector. The minimum measurement from the bottom of the ceiling box up to the bottom of the channel strut is 8". Additional framing may be required to add depth and maintain adjustability of the conduit assembly. See [Diagram A](#). <https://youtu.be/JghN8ECvTz4>



**!** Never attach or adjust the conduit assembly improperly. This could interfere with the automatic shutoff system and could cause the chandelier to fall, which could cause death, personal injury, and/or property damage.

[Diagram A](#)



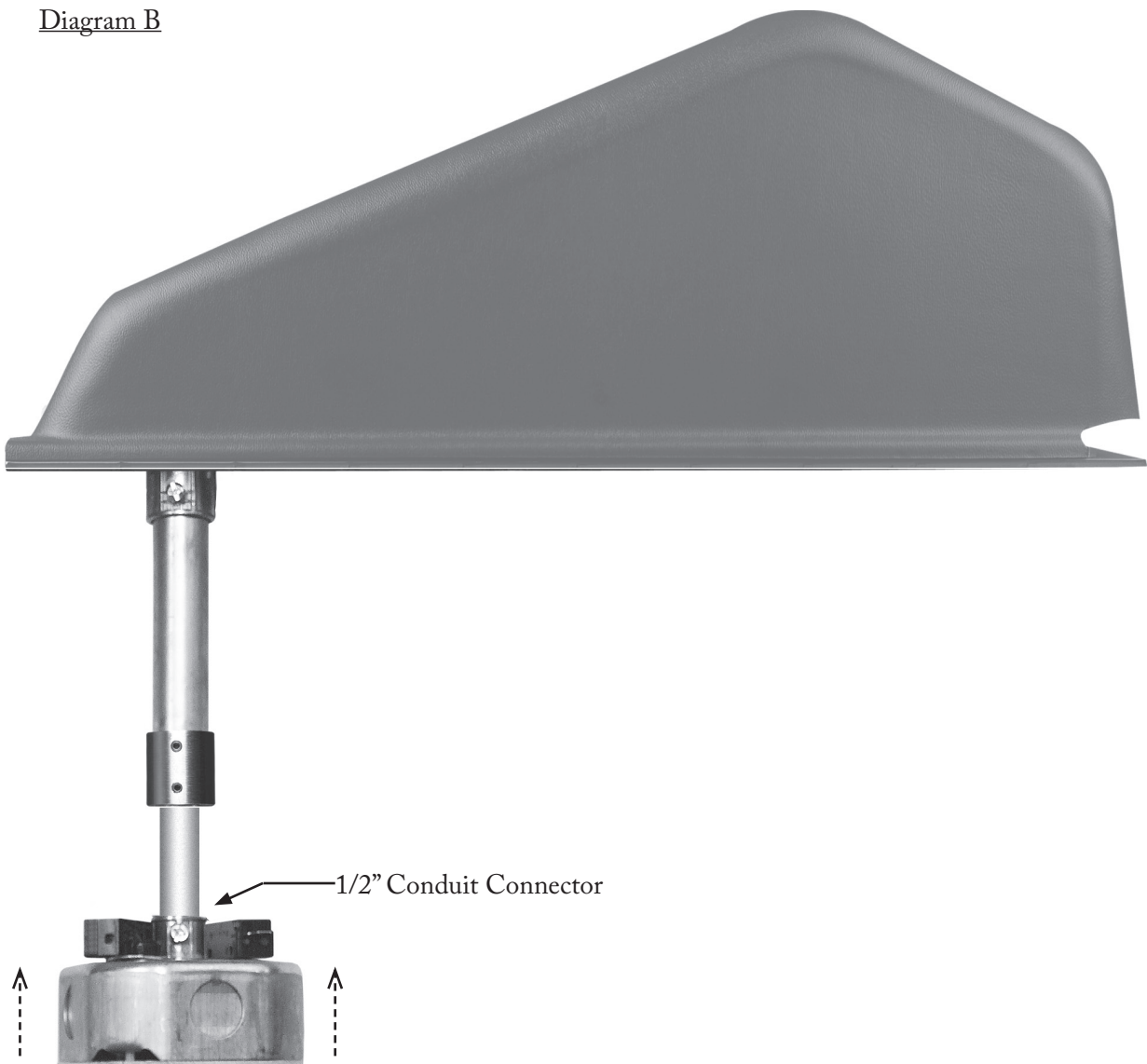
## STEP 5

Attach the 1/2" conduit connector on ceiling box to bottom of conduit assembly. Once completely inserted, tighten set screw on conduit connector. See Diagram B. <https://youtu.be/JgbN8ECvTz4>



**!** Never attach or adjust the conduit assembly improperly. This could interfere with the automatic shutoff system and could cause the chandelier to fall, which could cause death, personal injury, and/or property damage.

Diagram B



## STEP 6

Tighten temporary five pound weight to fixture coupler on bottom contact plate. Make sure jam nut on weight is tight.

**!** Never install or operate an ALL300 before securing the temporary five pound weight to the fixture coupler. This could cause the temporary weight to fall, which could cause death, personal injury, and/or property damage.

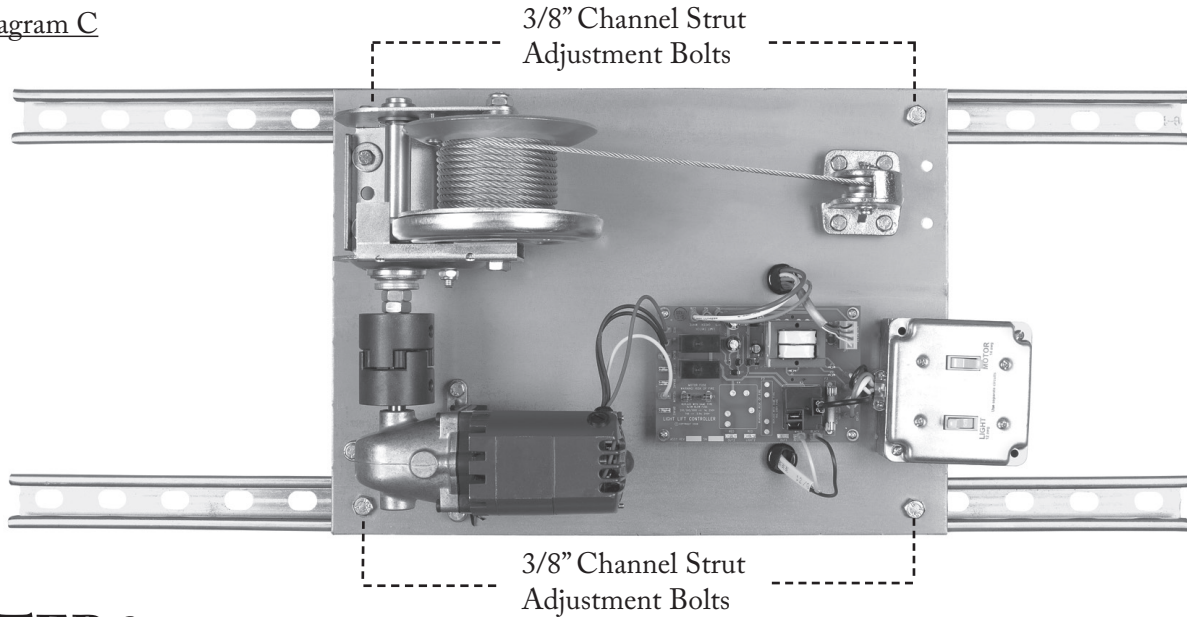


## STEP 7

Position ALL300 where ceiling box will be centered in ceiling hole. Weight and bottom contact plate assembly should hang down through ceiling hole. Adjustments can be made loosening 3/8" channel strut bolts that hold ALL300 to channel struts. Retighten channel strut bolts after adjustments are made. Confirm channel strut nuts are seated properly. See [Diagram C](#).

**⚠ Never adjust the channel struts improperly. This could cause the chandelier to fall, which could cause death, personal injury, and/or property damage.**

[Diagram C](#)



## STEP 8

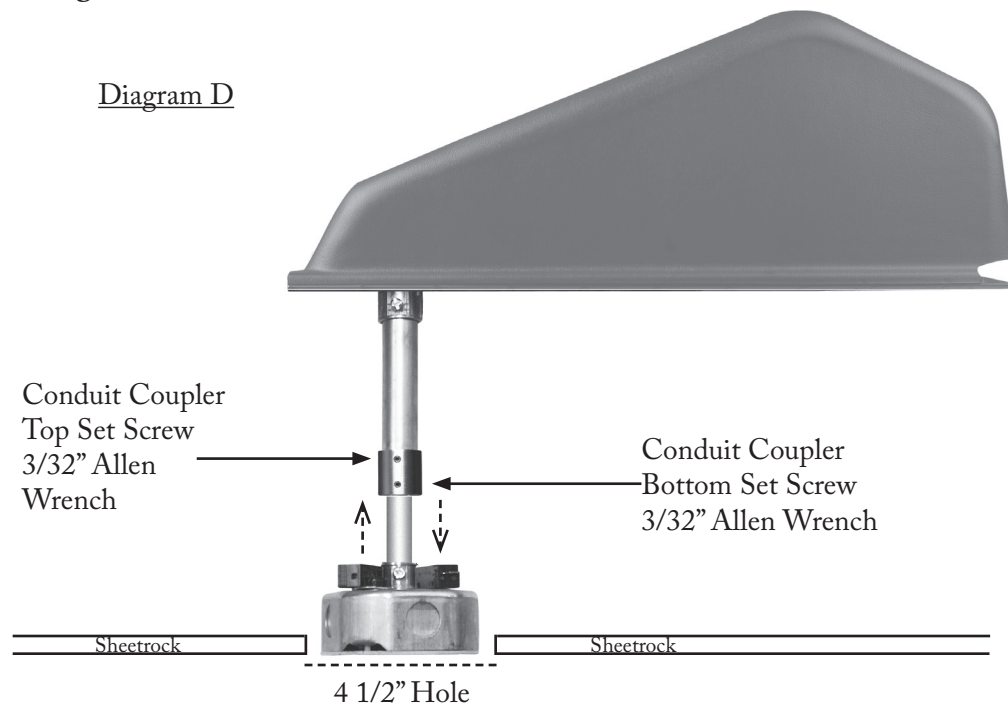
Adjust ceiling box elevation up or down to be flush with sheetrock (this is a starting position, after the fixture is installed see step 23 for final adjustments). Use 3/32" Allen wrench on conduit coupler to loosen bottom set screw. Conduit assembly is telescopic. The ceiling box should not touch inside of ceiling hole. Retighten bottom set screw on conduit coupler and confirm top set screw is tight. See [Diagram D](#).

<https://youtu.be/EbAGV2gLK2E>

**⚠ Never attach or adjust the conduit assembly improperly. This could interfere with the automatic shutoff system and could cause the chandelier to fall, which could cause death, personal injury, and/or property damage.**



[Diagram D](#)



## STEP 9

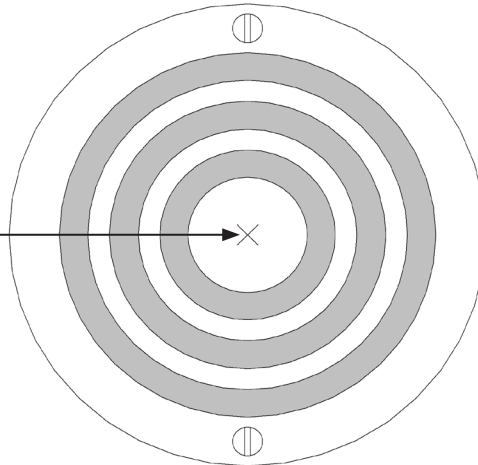
Shim and adjust ALL300 so that winch cable hangs plumb through center of hole in top contact plate on ceiling box. See [Diagram E](#). Look up at ceiling box from floor level to verify cable is plumb.  
<https://youtu.be/wpEWWOC0VCM>



**!** Never install the ALL300 where the cable is not plumb through the center of the ceiling box. This could interfere with the automatic shutoff system and could cause the chandelier to fall, which could cause death, personal injury, and/or property damage.

Diagram E

Confirm winch cable hangs plumb through center of hole in top contact plate on ceiling box.



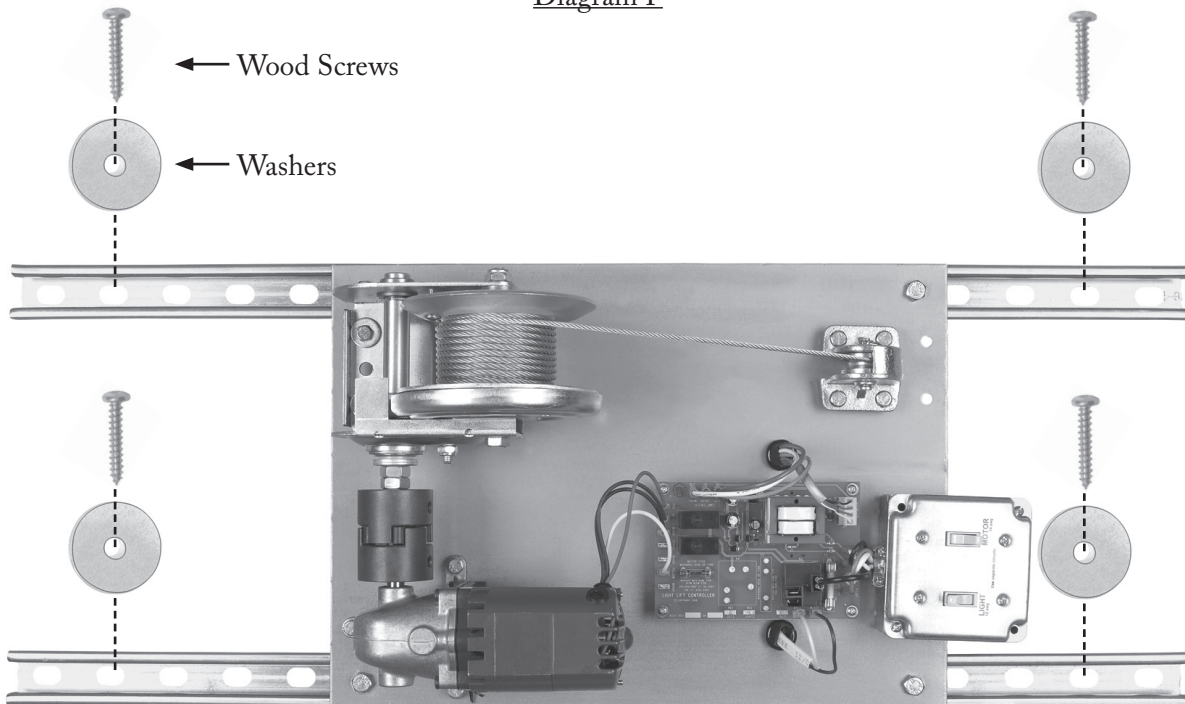
View from Floor Level

## STEP 10

Fasten ALL300 to floor joists using wood screws (part A) and washers (part B) included in parts bag. See [Diagram F](#).

**!** Never install the ALL300 without properly fastening it to the floor joists. This could interfere with the automatic shutoff system and could cause the chandelier to fall, which could cause death, personal injury, and/or property damage.

Diagram F



## STEP 11

Turn off supply power before wiring ALL300. Turn off motor switch in square box. Wire motor switch with 110V wiring (cannot wire to an arc fault breaker). The 110V motor feed must be kept separate from 110V light switch leg. Keep motor and light neutrals separate. The lift's motor neutral is white and 14 gauge. See Diagram G. Motor draws 2 amps or less at 110V. <https://youtu.be/7TIXOAAKvUM?t=25s>



**Never wire the ALL300 improperly. Make sure electricity is turned off when installing and/or performing maintenance on the ALL300. Improper wiring and/or electricity could cause death, personal injury, and/or property damage.**

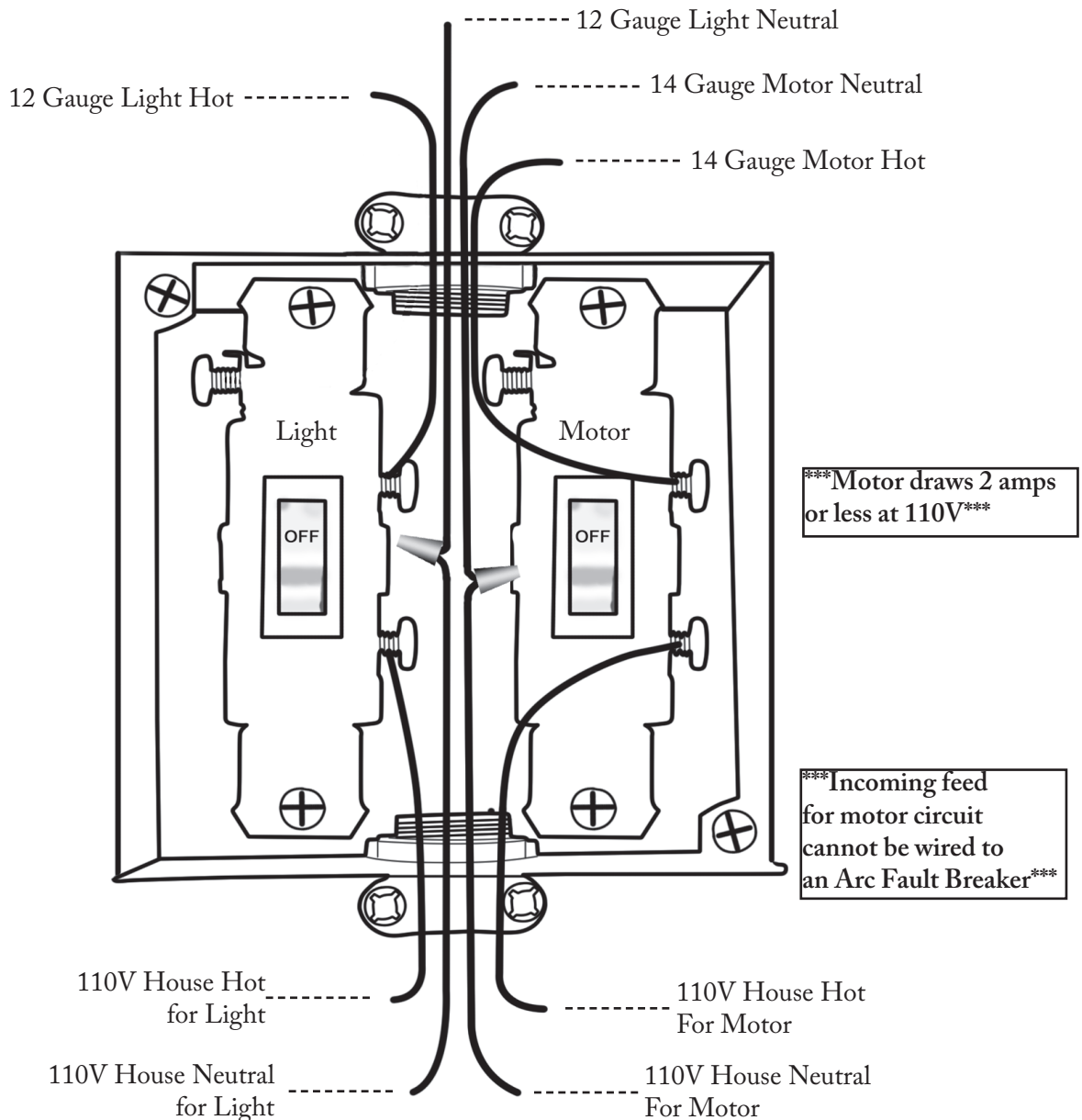
## STEP 12

Turn off supply power before wiring ALL300. Turn off light switch in square box. Wire light switch with 110V wiring. The 110V light switch leg can not be used as motor feed. Keep light and motor neutrals separate. The lift's light neutral is white and 12 gauge. If wired properly, a dimmer may be used. Wire a two-circuit light package on separate phases for lights (2 hots - 1 neutral). See Diagram G. <https://youtu.be/7TIXOAAKvUM?t=25s>



**Never wire the ALL300 improperly. Make sure electricity is turned off when installing and/or performing maintenance on the ALL300. Improper wiring and/or electricity could cause death, personal injury, and/or property damage.**

Diagram G



## **STEP 13**

Remove dust cover and remove paper tape from winch drum while keeping tension on winch cable.



**Never operate the ALL300 without tension on the cable. Never remove or tamper with the cable safety device. Never install an ALL300 that has the cable safety device removed or tampered with. The cable safety device consists of the limit switch and small gauge rectangular wire. It is located directly in front of the winch drum. Removing or tampering with the cable safety device could cause the cable to become reversed wrapped on the winch. This could also cause the cable to unravel off the winch drum and get damaged. Never install or operate an ALL300 that has a frayed, kinked, or otherwise damaged cable. Never operate the ALL300 without first removing the paper tape from the winch drum. Avoiding any of these safety warnings could cause the chandelier to fall, which could cause death, personal injury, and/or property damage.**

## **STEP 14**

Replace dust cover and locate controller wire. Controller wire is a low voltage, gray sheathed, four conductor wire with white plugs on either end.

## **STEP 15**

Run controller wire in to single gang box for Keyswitch Controller or optional SmartLift Controller. Chandelier must be visible from controller location. <https://youtu.be/7TIXOAAKvUM>



## **STEP 16**

If using a Keyswitch Controller instead of a SmartLift Controller, secure key cylinder to cover plate using supplied keyswitch nut.

Plug controller to controller wire. Use supplied cover plate screws to attach controller to single gang box.

## **STEP 17**

Ensure paper tape is removed from winch drum (Step 13). Test motor and automatic shut-off system of ALL300. For operation instruction, reference Keyswitch Controller Guide or SmartLift Controller Guide, then follow below:

Run ALL300 down a few inches. Run ALL300 up to CEILING POSITION. When ALL300 pulls bottom contact plate and temporary weight to CEILING POSITION, the motor will, if installed and mounted properly, shut off by itself. <https://youtu.be/AcaCOVKDM3A>



Call Aladdin Light Lift (877) 287-4601 immediately if ALL300 does not shut off at CEILING POSITION.



**Never extend the full length of winch cable from the ALL300. This could cause the cable to become reverse wrapped on the winch. An ALL300 installed with a reverse wrapped cable can cause the chandelier to fall, which could cause death, personal injury, and/or property damage. Refer to the Keyswitch or SmartLift Controller tag for correct operating instructions. Winch cable length can be found on the ALL300 product sticker, shipping box and the front page of these installation instructions.**

## **STEP 18**

Run ALL300 down until temporary weight is at desired elevation to hang chandelier.

## **STEP 19**

Holding tension on cable, unscrew weight from fixture coupler.



**Never operate the ALL300 without tension on the cable. This could cause the cable to wind off the winch drum and get damaged. A damaged cable could cause the chandelier to fall, which could cause death, personal injury, and/or property damage.**

## STEP 20

Fully thread screw collar loop or threaded stem that was supplied with chandelier to 1/4 IPS fixture coupler. If chandelier was supplied with a 3/8 IPS screw collar loop, obtain 1/4 IPS x 3/8 IPS fixture coupler included in parts bag. If chandelier was supplied with a 1/8 IPS or 1/2 IPS screw collar loop or threaded stem, contact Aladdin Light Lift (877) 287-4601 to obtain proper coupler. See [Diagram H](#).  
<https://youtu.be/-MARQGfesIQ>



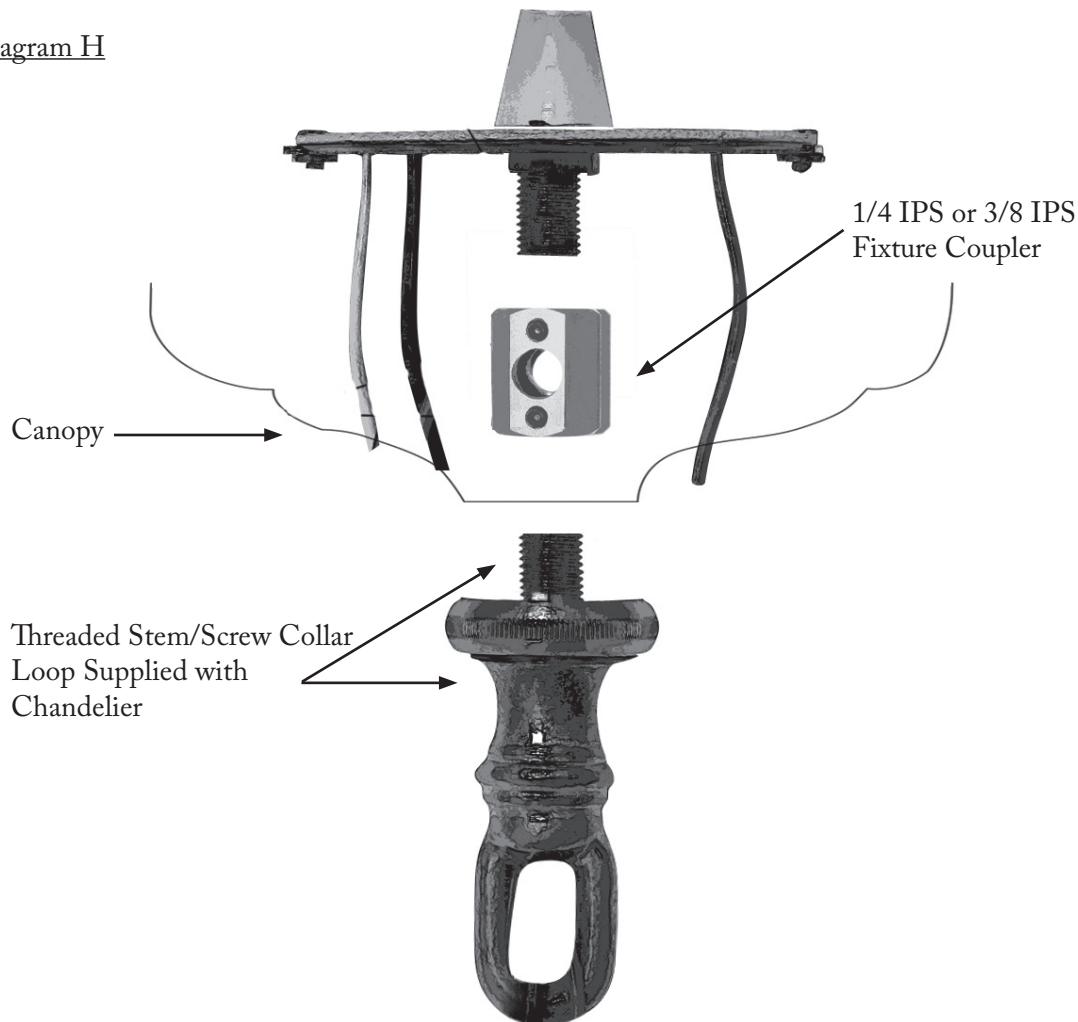
**!** Never install a chandelier on an ALL300 using metric threaded fittings. They will not thread together properly and could cause the chandelier to fall, which could cause death, personal injury, and/or property damage. Only use IPS threaded fittings.

**!** Never hang a chandelier from an ALL300 using anything but the Aladdin Light Lift supplied fixture coupler, bottom contact plate, and dowel pin. This could cause the chandelier to fall, which could cause death, personal injury, and/or property damage.

## STEP 21

Attach chandelier canopy to screw collar loop using screw collar rings. See [Diagram H](#).

[Diagram H](#)



## STEP 22

Adjust chandelier chain to desired length and attach to screw collar loop.

**!** Never cut, modify, or adjust the winch cable and never install an ALL300 with a cut, modified or adjusted winch cable. Adjust the chandelier elevation by adjusting the chandelier chain or stem. An ALL300 installed with a cut, modified, or improperly adjusted cable could cause the chandelier to fall, which could cause death, personal injury, and/or property damage.



## □ STEP 23

Adjust canopy and telescopic conduit assembly so contact plates meet before the canopy touches the ceiling. See Diagram I. <https://youtu.be/eQqLRÆxFq8>



**⚠** Never allow the chandelier canopy to make contact with the ceiling before the contact plates meet. This could interfere with the automatic shutoff system and could cause the chandelier to fall, which could cause death, personal injury, and/or property damage.

## □ STEP 24

Loosen bottom screw collar ring to allow easy wire access. See Diagram I.

## □ STEP 25

Run chandelier wires through screw collar or threaded stem and pull through fixture coupler holes. See Diagram I. <https://youtu.be/-MARQGfesIQ>



## □ STEP 26

Wire nut chandelier hot wire to black bottom contact plate wire, neutral to white, and ground to green. If the chandelier has two hot wires, wire extra hot to red wire. See Diagram I. Bare ground wire from chandelier can not touch underside of bottom contact plate. A direct short will occur.

<https://youtu.be/-MARQGfesIQ>



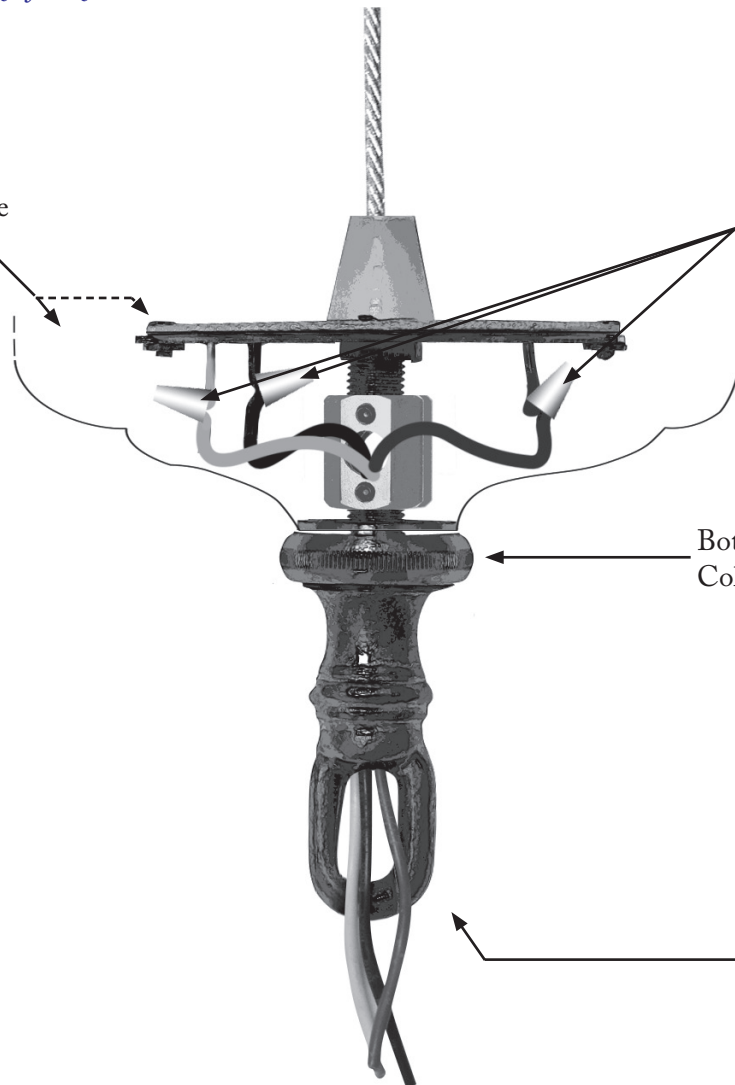
Diagram I

Bottom Contact  
Plate Must Meet  
Top Contact Plate  
Before Canopy  
Touches Ceiling

Wire Nut Chandelier  
Wires to Bottom  
Contact Plate Wires

Bottom Screw  
Collar Ring

Pull Chandelier  
Wires Through  
Screw Collar Loop/  
Threaded Stem and  
Fixture Coupler



## STEP 27

Tighten fixture coupler set screws using supplied 3/32" Allen wrench. Fixture coupler set screws have thread lock already applied at factory. See Diagram K. <https://youtu.be/-MARQGfesIQ>



## STEP 28

Apply supplied liquid thread lock (part D) to all fittings including fixture coupler and screw collar loop fittings.



**Never attach the chandelier to the ALL300 improperly. Failure to secure the fixture coupler set screws and properly apply thread lock could cause the chandelier to fall, which could cause death, personal injury, and/or property damage.**

## STEP 29

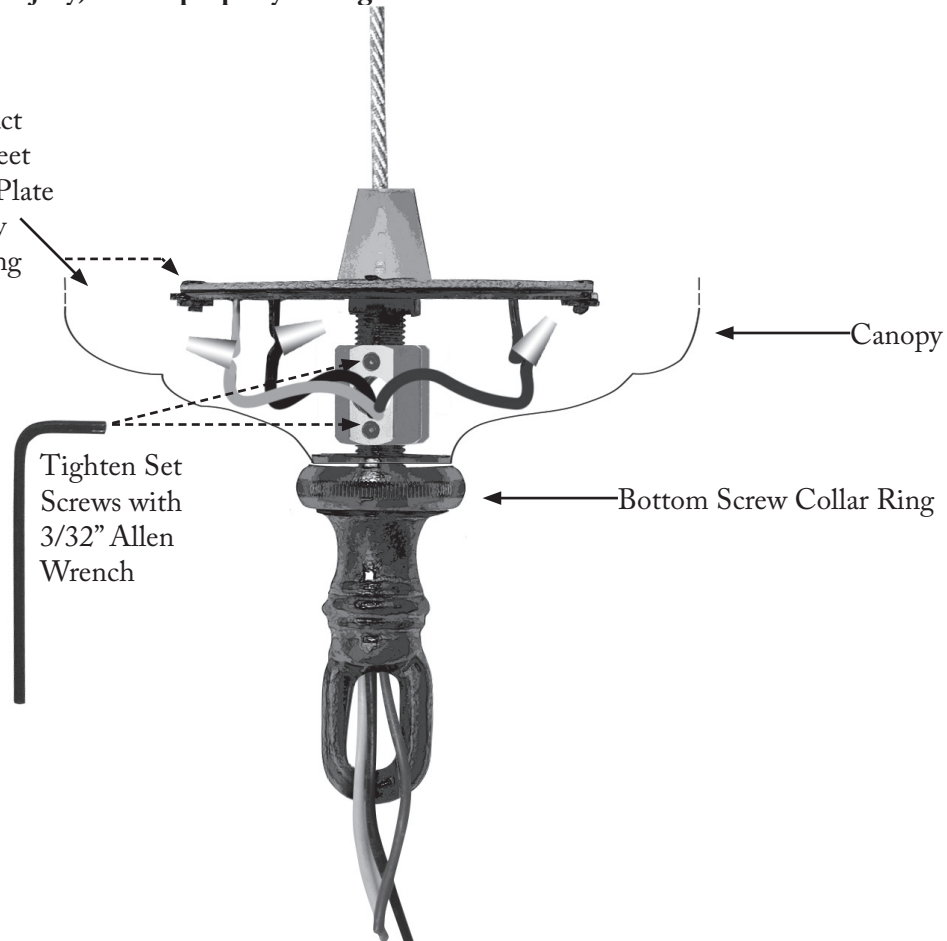
Replace canopy and screw collar ring. Confirm adjustment of canopy and telescopic conduit assembly allows contact plates to meet before the canopy touches the ceiling. See Diagram K. [https://youtu.be/GT\\_nwiZWa9o](https://youtu.be/GT_nwiZWa9o)



**Never allow the chandelier canopy to make contact with the ceiling before the contact plates meet. This could interfere with the automatic shutoff system and could cause the chandelier to fall, which could cause death, personal injury, and/or property damage.**

Diagram K

Bottom Contact  
Plate Must Meet  
Top Contact Plate  
Before Canopy  
Touches Ceiling



## STEP 30

Confirm winch cable still hangs plumb through center of hole in top contact plate on ceiling box. See STEP 9 and Diagram E. <https://youtu.be/IoMS5aDNN04>



## STEP 31

Operate ALL300 to the CEILING POSITION. Test lights and call Aladdin Light Lift (877) 287-4601 with any questions regarding installation and/or operation of ALL300. [https://youtu.be/GT\\_nwiZWa9o](https://youtu.be/GT_nwiZWa9o)



# ALL300 TROUBLESHOOTING GUIDE

**TECH SUPPORT: (877) 287-4601 Monday through Friday 8:00am to 4:00pm CST**

I. Troubleshooting and installation must be performed by a licensed, bonded, and insured electrician. Electricity can cause death, personal injury, and/or property damage.

II. To perform most troubleshooting procedures, the following tools will be needed:

- a. 5/16" nut driver or 5/16" socket and ratchet
- b. Volt Meter
- c. 14 AWG jumper wire

III. Prior to troubleshooting or installation, read, understand and follow each safety warning in the ALL300 installation instructions and safety precautions supplement. Failure to follow Aladdin's safety precautions and/or warnings could cause the chandelier to fall, which could cause death, injury, and/or property damage.

SYMPTOM: ALL300 DOES NOT OPERATE: <https://youtu.be/AcaCOVKDM3A>



Once ALL300 is installed per the installation instructions, use the following steps to troubleshoot.

1. Confirm motor switch in the square box is turned on. The square box is mounted on the chassis plate of the ALL300, right in front of the control board. If it was found in the off position, flip it to the on position and use the controller to test the ALL300. If ALL300 still does not operate, proceed to step 2.
2. Turn the motor and light switch in the square box to the off position. Using the 5/16" nut driver or socket, remove control board cover. Confirm motor fuse is good. The motor fuse is held to the control board by fuse clips and is located right in front of the motor assembly. Remove and perform a continuity test on the motor fuse. If the fuse reads continuity, place it back in the fuse clips. If it does not read continuity, it must be replaced with a good, 1 amp, slow blow fuse. Turn the motor and light switch in the square box to the on position, and use controller to test the ALL300. If the ALL300 still does not operate, proceed to step 3.
3. Turn the motor and light switch in the square box to the off position. Confirm limit switch wires are attached properly. Confirm the limit switch wires are properly connected to the limit switch as well as the limit switch terminals on the control board. The limit switch is located on top of the ceiling box. The purple or white limit switch wire should be plugged from COM on the control board to the single terminal side of one limit switch. The orange or green limit switch wire should be plugged from NO on the control board to the top limit switch terminal on the double terminal side of the limit switch. The brown or red limit switch wire should be plugged from NC on the control board to the bottom limit switch terminal on the double terminal side of the limit switch. If limit wires were found plugged incorrectly, plug them to their corresponding terminal and use the controller to test the ALL300. <https://youtu.be/AcaCOVKDM3A>  
If the ALL300 still does not operate, proceed to step 4.
4. From where the ALL300 is installed, call Aladdin Light Lift technical support Monday through Friday during normal business hours at (877) 287-4601.



SYMPTOM: CHANDELIER WILL NOT LIGHT:

Once the ALL300 is installed per the installation instructions, use the following steps to troubleshoot.

Note: If the top contact plate is painted, the chandelier will not light. The motor circuit must be hot in order for the lights to work.

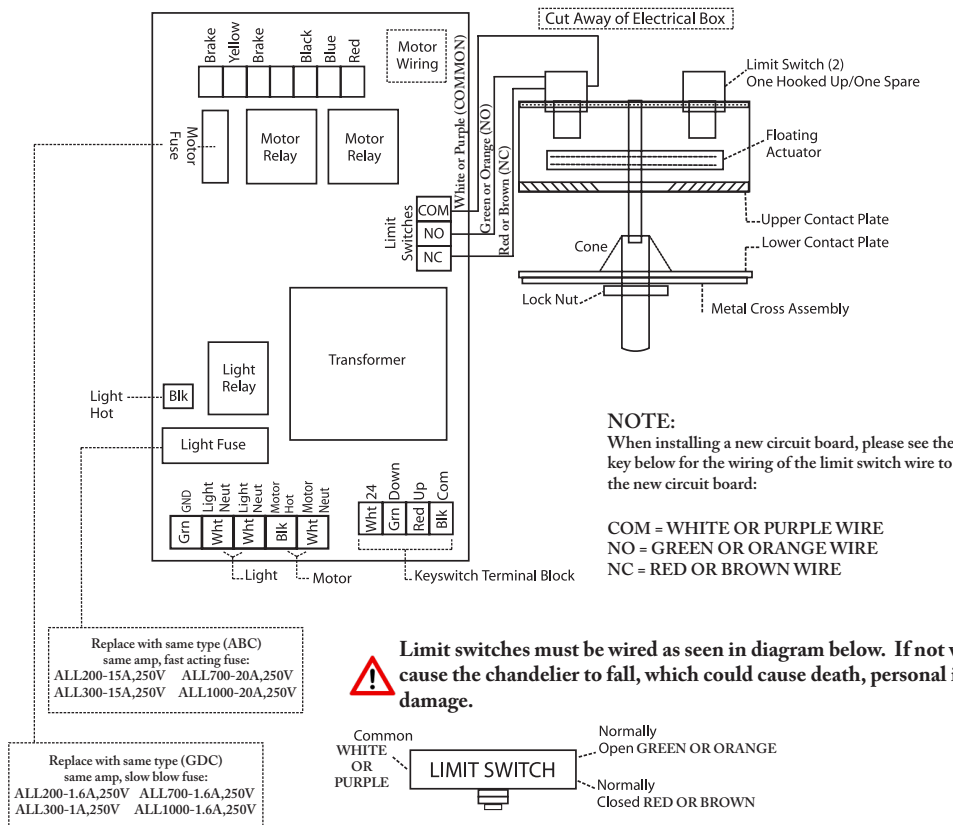
# ALL300 TROUBLESHOOTING GUIDE cont.

1. Confirm ALL300 is at the CEILING POSITION. If not, use the controller to operate the ALL300 to the CEILING POSITION. Chandelier will only light at the CEILING POSITION. If operated to the CEILING POSITION and the chandelier will still not light, proceed to step 2.
2. Confirm light and motor switch in the square box is turned on. The square box is mounted on the chassis plate of the ALL300, right in front of the control board. If it was found in the off position, flip it to the on position and to test the chandelier. If chandelier still does not light, proceed to step 3.
3. Turn the motor and light switch in the square box to the off position. Confirm light fuse is good. The light fuse is held to the control board by fuse clips and is located right in front of the light relay. Remove and perform a continuity test on the light fuse. If the fuse reads continuity, place it back in the fuse clips. If it does not read continuity, it must be replaced with a new, 15 amp, fast blow fuse. If the ALL300 was equipped with a 2200 watt upgrade package, replace with a new, 20 amp, fast blow fuse. Turn the motor and light switch in the square box to the on position, and test the chandelier. If the chandelier still does not light, proceed to step 4.
4. From where the ALL300 is installed, call Aladdin Light Lift technical support Monday through Friday during normal business hours at (877) 287-4601. A voltage meter will be needed to further test the ALL300.

## SYMPTOM: ALL300 WILL NOT SHUT OFF PROPERLY AT CEILING POSITION:

Discontinue use immediately and contact Aladdin Light Lift at (877) 287-4601.

After all troubleshooting is complete, replace control board cover.



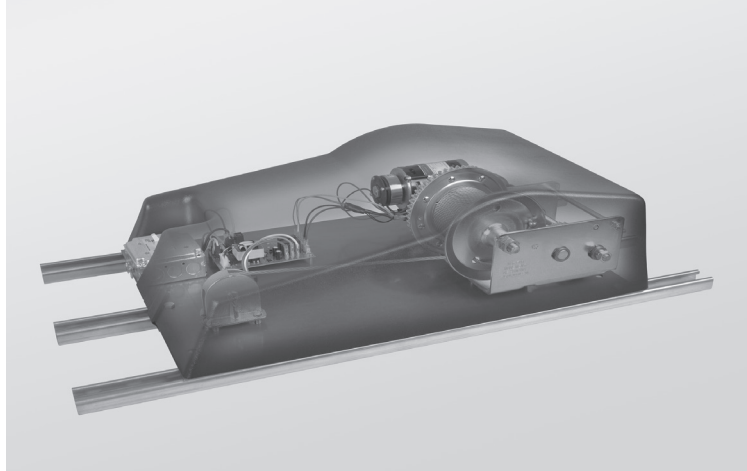
# **Warranty Agreement**

Aladdin Light Lift, Inc. warrants its chandelier light lift unit for one year from the date of purchase. The warranty includes all parts provided the unit is installed properly by a licensed electrician. Labor charges will be the responsibility of the purchaser. If the unit does not operate properly, the purchaser must contact a factory authorized service technician approved by Aladdin Light Lift, Inc. to determine if the unit was installed properly. The technician will furnish a written report to the purchaser and Aladdin concerning any problem with the lift system which will be binding on all parties concerned. All defective parts must be returned to Aladdin Light Lift, Inc. for the warranty to apply. Any alteration or by-passing of the electrical or mechanical system of exceeding the wattage maximum (as indicated on the lift) will void the warranty and can result in an electrical hazard. This warranty agreement showing date of purchase and distributor must be filled out at [www.aladdinlightlift.com/warranty-card.php](http://www.aladdinlightlift.com/warranty-card.php) within 30 days of purchase to validate the warranty. Call your distributor to obtain the name of a factory authorized technician in your area.

# ALADDIN<sup>®</sup>

## ALL700/ALL700-CM

### INSTALLATION INSTRUCTIONS



Aladdin<sup>®</sup> Light Lift, Inc.  
61 Shields Road  
Huntsville, AL 35811

(256) 429-9700  
(877) 287-4601  
[www.aladdinlightlift.com](http://www.aladdinlightlift.com)

Patent #5105349

WARNING: Disconnect power source before servicing to avoid electrical shock

CAUTION: To Reduce the Risk of Electric Shock or Injury, Use Indoors Only.

Light and motor circuits are rated at AC 110V

Pour usage seulement dans un endroit

Avec acces au dessus du plafonds



Model Number: ALL700 (700lb. rated working load, 7/32" steel galvanized lay cable, 1.67amp, 50/60Hz)  
MC Cable (if checked)

Light lift is equipped with a 35' cable unless checked below:

65'  
90'  
120'

Light lift is equipped with a 2200 watt (20 amps)  
lighting capacity



Electric Hoist

91F5

\_\_\_\_\_  
Manufacture Date

© 2017 All Rights Reserved



## **Read the following guidelines prior to installing the ALL700:**

- I. The ALL700 must be installed by a licensed, bonded and insured electrician.
- II. The ALL700 must be installed level, in an accessible location and directly above the chandelier. If the lift must be mounted directly above the fixture and there is no access, provide an access panel or cut a hole underneath the light lift and cover with a removable medallion.
- III. For installation clarification, click the Youtube links or scan the QR codes located throughout the Installation Instructions.
- IV. Thoroughly read, understand and follow each step and safety warning in the ALL700 installation instructions and orange safety precautions supplement.
- V. During installation of the ALL700, take one step at a time and check off each step upon completion.
- VI. The Troubleshooting Guide is located in the back of the Installation Instructions. Call Aladdin Light Lift (877) 287-4601 if assistance is needed for installation and/or operation of the ALL700. Refer to the Keyswitch Controller Guide or Smartlift Controller Guide for operation instructions.
- VII. Ignoring any safety warnings and/or symbols not only voids the warranty, but may cause death, personal injury and/or property damage.
- VIII. The Warranty Agreement is located on the last page of Installation Instructions.
- IX. Give all Aladdin paperwork to property owner and/or anyone that will be using ALL700.

## **ALL700 Parts Bag List**



A. #10 x 1 1/4" Pan Phillips-Wood Screws (QTY 6)



B. 3/16" x 1" Fender Washers (QTY 6)



D. Thread Lock (QTY 1)



E. 3/32" Allen Wrench (QTY 1)



F. 3/8 IPS x 1/2 IPS Fixture Coupler (QTY 1)

## STEP 1

Determine where ALL700 will mount on ceiling joists. ALL700 must be installed level, in an accessible location directly above chandelier. [https://youtu.be/yLV\\_1HaU56Y](https://youtu.be/yLV_1HaU56Y)



**!** Never mount the ALL700 off plane or unlevel in a standard installation. This could cause the chandelier to fall, which could cause death, personal injury, and/or property damage. The winch cable must hang plumb through the center of the top contact plate on the ceiling box.

**!** Never install the ALL700 where the ceiling height exceeds five feet less than the exact length of winch cable. For example, if the ALL700 is equipped with a 35ft. cable, do not install the ALL700 in a ceiling that is greater than 30ft. This could cause the cable to become reverse wrapped on the winch. An ALL700 installed with a reverse wrapped cable could cause the chandelier to fall, which could cause death, personal injury, and/or property damage. Winch cable length can be found on the ALL700 product sticker, shipping box and the front page of these installation instructions.

## STEP 2

After turning off power, remove and discard existing electrical box if present in ceiling. Only use ceiling box provided with ALL700. See Diagram A.

**!** Never remove an existing ceiling box while the power is connected. Electricity could cause death, personal injury, and/or property damage.

## STEP 3

Cut a 4 1/2" hole in ceiling for ceiling box. If you removed an existing ceiling box, existing hole may need to be enlarged.

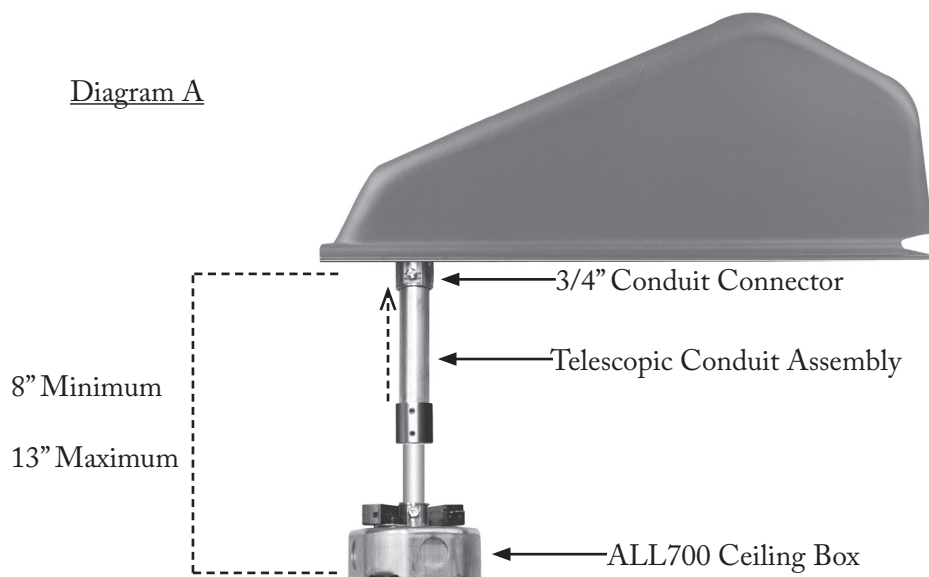
## STEP 4

Attach conduit assembly to 3/4" conduit connector mounted below pulley. Once completely inserted, tighten set screw on conduit connector. The minimum measurement from the bottom of the ceiling box up to the bottom of the channel strut is 8". Additional framing may be required to add depth and maintain adjustability of the conduit assembly. See Diagram A. <https://youtu.be/JghN8ECvTz4>



**!** Never attach or adjust the conduit assembly improperly. This could interfere with the automatic shutoff system and could cause the chandelier to fall, which could cause death, personal injury, and/or property damage.

Diagram A



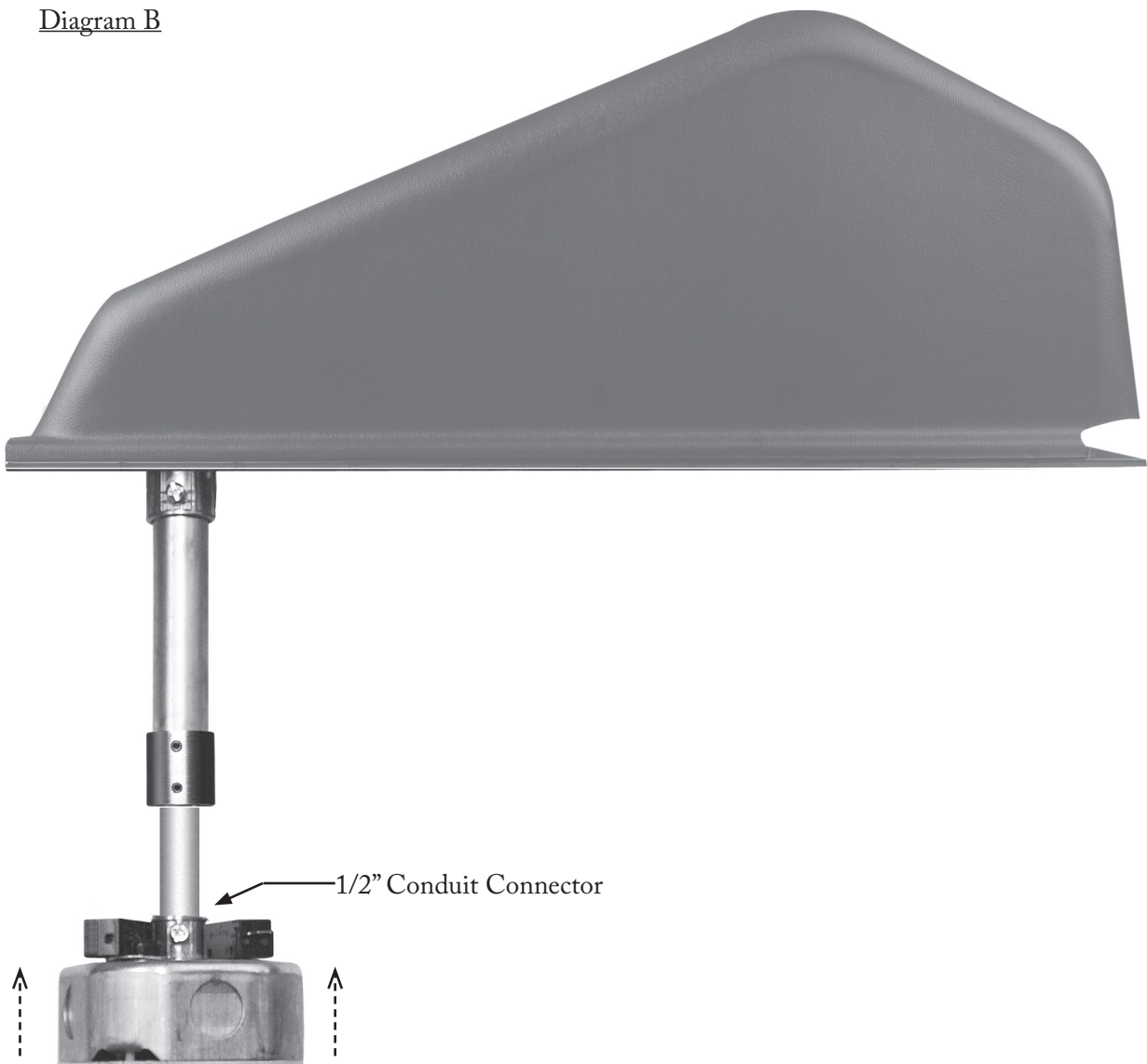
## **STEP 5**

Attach the 1/2" conduit connector on ceiling box to bottom of conduit assembly. Once completely inserted, tighten set screw on conduit connector. See Diagram B. <https://youtu.be/JgbN8ECvTz4>



**!** Never attach or adjust the conduit assembly improperly. This could interfere with the automatic shutoff system and could cause the chandelier to fall, which could cause death, personal injury, and/or property damage.

Diagram B



## **STEP 6**

Tighten temporary five pound weight to fixture coupler on bottom contact plate. Make sure jam nut on weight is tight.

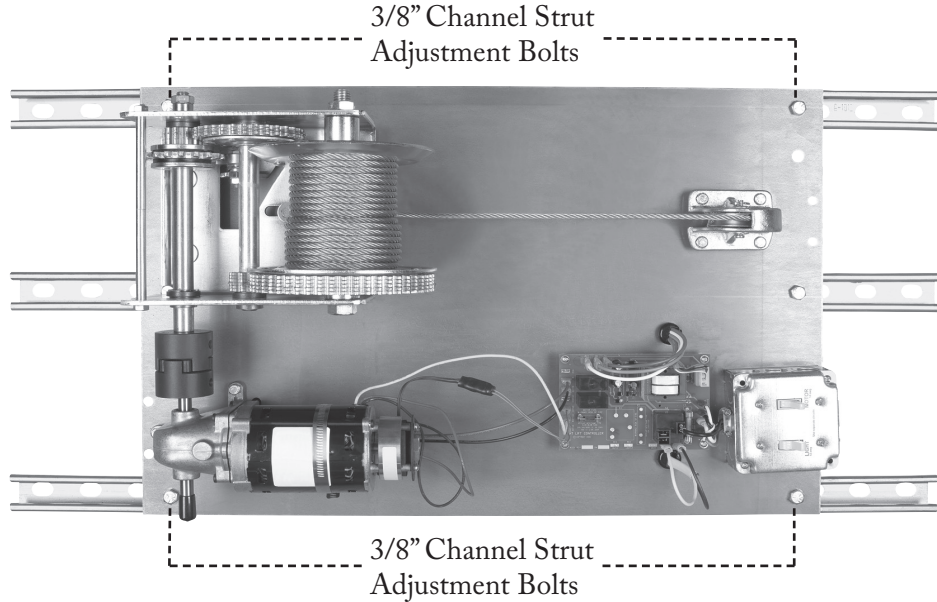
**!** Never install or operate an ALL700 before securing the temporary five pound weight to the fixture coupler. This could cause the temporary weight to fall, which could cause death, personal injury, and/or property damage.

## STEP 7

Position ALL700 where ceiling box will be centered in ceiling hole. Weight and bottom contact plate assembly should hang down through ceiling hole. Adjustments can be made loosening 3/8" channel strut bolts that hold ALL700 to channel struts. Retighten channel strut bolts after adjustments are made. Confirm channel strut nuts are seated properly. See [Diagram C](#).

**⚠ Never adjust the channel struts improperly. This could cause the chandelier to fall, which could cause death, personal injury, and/or property damage.**

[Diagram C](#)



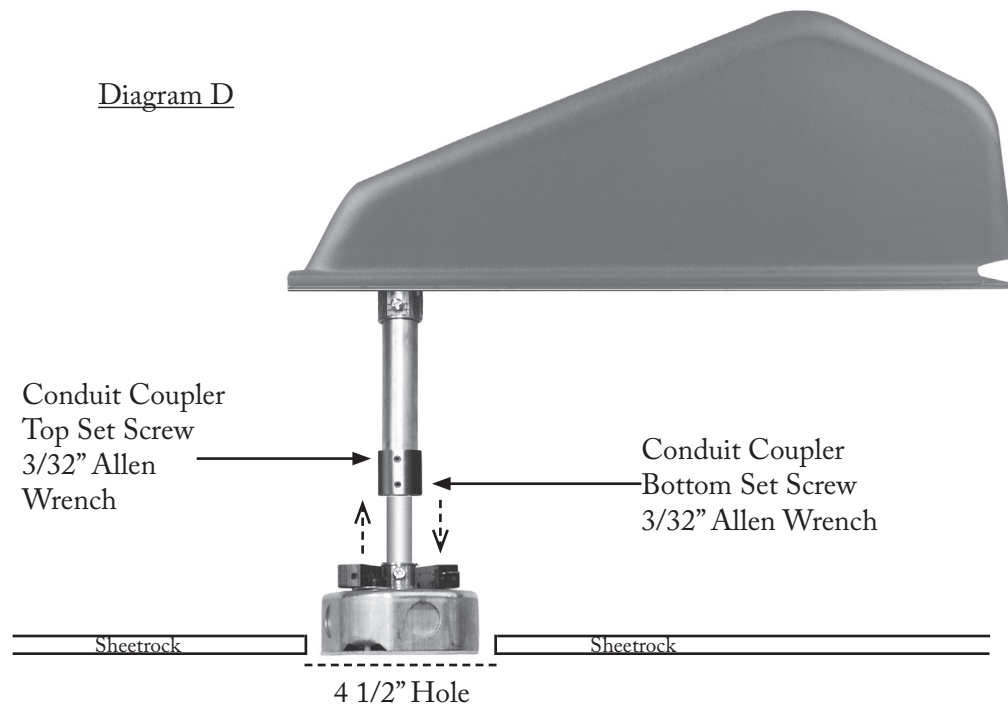
## STEP 8

Adjust ceiling box elevation up or down to be flush with sheetrock (this is a starting position, after the fixture is installed see step 23 for final adjustments). Use 3/32" Allen wrench on conduit coupler to loosen bottom set screw. Conduit assembly is telescopic. The ceiling box should not touch inside of ceiling hole. Retighten bottom set screw on conduit coupler and confirm top set screw is tight. See [Diagram D](#).  
<https://youtu.be/EbAGV2gLK2E>



**⚠ Never attach or adjust the conduit assembly improperly. This could interfere with the automatic shutoff system and could cause the chandelier to fall, which could cause death, personal injury, and/or property damage.**

[Diagram D](#)



## STEP 9

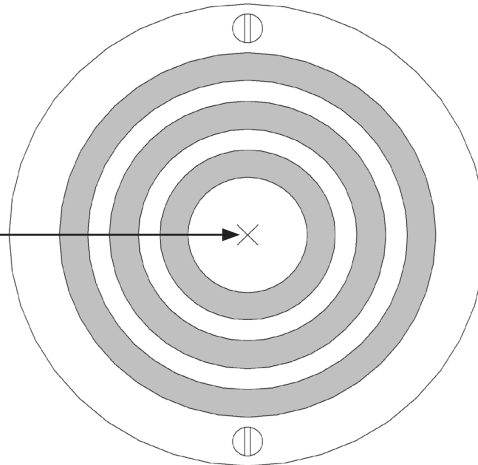
Shim and adjust ALL700 so that winch cable hangs plumb through center of hole in top contact plate on ceiling box. See [Diagram E](#). Look up at ceiling box from floor level to verify cable is plumb.  
<https://youtu.be/wpEWWOC0VCM>



**!** Never install the ALL700 where the cable is not plumb through the center of the ceiling box. This could interfere with the automatic shutoff system and could cause the chandelier to fall, which could cause death, personal injury, and/or property damage.

Diagram E

Confirm winch cable hangs plumb through center of hole in top contact plate on ceiling box.



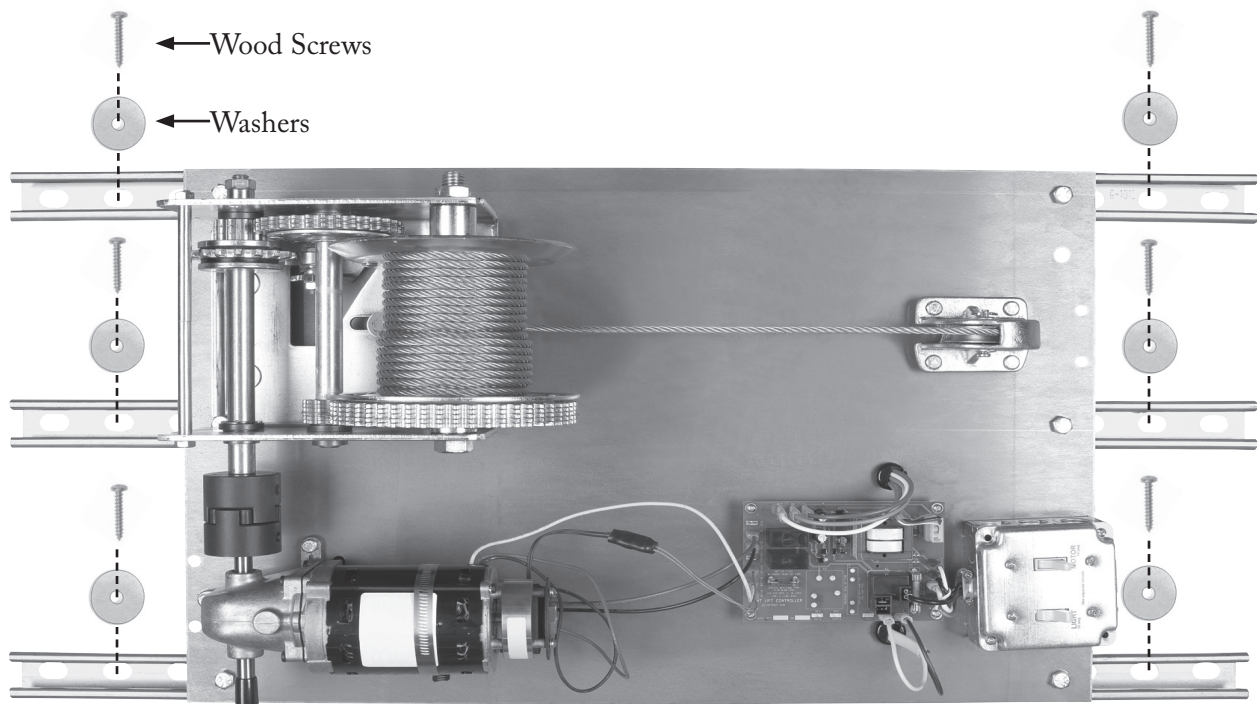
View from Floor Level

## STEP 10

Fasten ALL700 to floor joists using wood screws (part A) and washers (part B) included in parts bag. See [Diagram F](#).

**!** Never install the ALL700 without properly fastening it to the floor joists. This could interfere with the automatic shutoff system and could cause the chandelier to fall, which could cause death, personal injury, and/or property damage.

Diagram F





## STEP 11

Turn off supply power before wiring ALL700. Turn off motor switch in square box. Wire motor switch with 110V wiring (cannot wire to an arc fault breaker). The 110V motor feed must be kept separate from 110V light switch leg. Keep motor and light neutrals separate. The lift's motor neutral is white and 14 gauge. Motor draws 2 amps or less at 110V. See Diagram G. <https://youtu.be/7TIXOAAKvUM?t=25s>



**Never wire the ALL700 improperly. Make sure electricity is turned off when installing and/or performing maintenance on the ALL700. Improper wiring and/or electricity could cause death, personal injury, and/or property damage.**

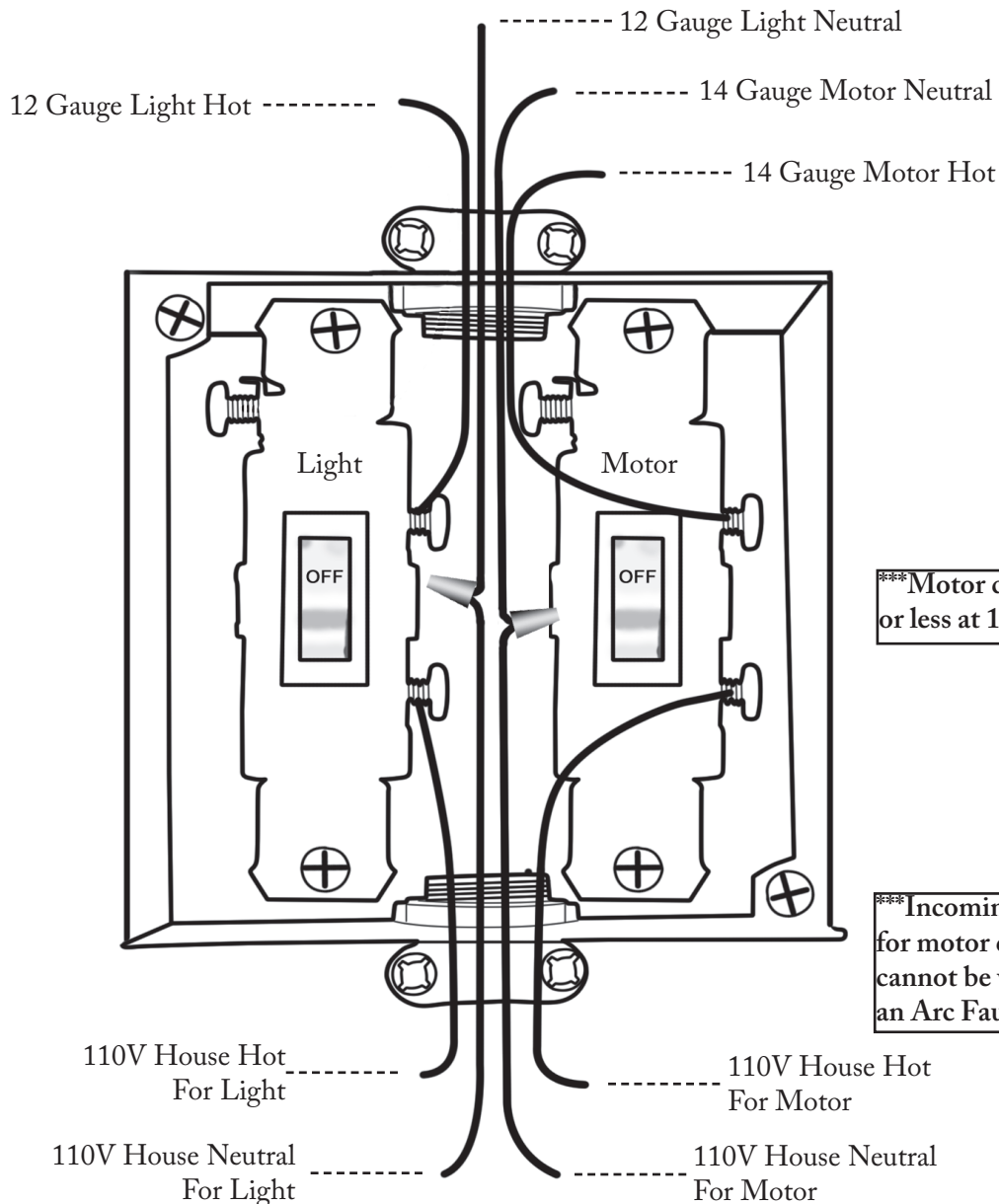
## STEP 12

Turn off supply power before wiring ALL700. Turn off light switch in square box. Wire light switch with 110V wiring. The 110V light switch leg can not be used as motor feed. Keep light and motor neutrals separate. The lift's light neutral is white and 12 gauge. If wired properly, a dimmer may be used. Wire a two-circuit light package on separate phases for lights (2 hots - 1 neutral). See Diagram G. <https://youtu.be/7TIXOAAKvUM?t=25s>



**Never wire the ALL700 improperly. Make sure electricity is turned off when installing and/or performing maintenance on the ALL700. Improper wiring and/or electricity could cause death, personal injury, and/or property damage.**

Diagram G





## **STEP 13**

Remove dust cover and remove paper tape from winch drum while keeping tension on winch cable.



**Never operate the ALL700 without tension on the cable. Never remove or tamper with the cable safety device. Never install an ALL700 that has the cable safety device removed or tampered with. The cable safety device consists of the limit switch and small gauge rectangular wire. It is located directly in front of the winch drum. Removing or tampering with the cable safety device could cause the cable to become reversed wrapped on the winch. This could also cause the cable to unravel off the winch drum and get damaged. Never install or operate an ALL700 that has a frayed, kinked, or otherwise damaged cable. Never operate the ALL700 without first removing the paper tape from the winch drum. Avoiding any of these safety warnings could cause the chandelier to fall, which could cause death, personal injury, and/or property damage.**

## **STEP 14**

Replace dust cover and locate controller wire. Controller wire is a low voltage, gray sheathed, four conductor wire with white plugs on either end.

## **STEP 15**

Run controller wire in to single gang box for SmartLift Controller. Chandelier must be visible from controller location. <https://youtu.be/7TIXOAAKvUM>



## **STEP 16**

Plug controller to controller wire. Use supplied cover plate screws to attach controller to single gang box.

## **STEP 17**

Ensure paper tape is removed from winch drum (Step 13). Test motor and automatic shut-off system of ALL700. For operation instruction, reference SmartLift Controller Guide, then follow below:

Operate ALL700 down a few inches. Operate ALL700 up to CEILING POSITION. When ALL700 pulls bottom contact plate and temporary weight to CEILING POSITION, the motor will, if installed and mounted properly, shut off by itself. <https://youtu.be/AcaCOVKDM3A>



Call Aladdin Light Lift (877) 287-4601 immediately if ALL700 does not shut off at CEILING POSITION.



**Never extend the full length of winch cable from the ALL700. This could cause the cable to become reverse wrapped on the winch. An ALL700 installed with a reverse wrapped cable can cause the chandelier to fall, which could cause death, personal injury, and/or property damage. Refer to the Keyswitch or SmartLift Controller tag for correct operating instructions. Winch cable length can be found on the ALL700 product sticker, shipping box and the front page of these installation instructions.**

## **STEP 18**

Run ALL700 down until temporary weight is at desired elevation to hang chandelier.

## **STEP 19**

Holding tension on cable, unscrew weight from fixture coupler.



**Never operate the ALL700 without tension on the cable. This could cause the cable to wind off the winch drum and get damaged. A damaged cable could cause the chandelier to fall, which could cause death, personal injury, and/or property damage.**

## STEP 20

Fully thread screw collar loop or threaded stem that was supplied with chandelier to 3/8 IPS fixture coupler. If chandelier was supplied with a 1/2 IPS screw collar loop, obtain 3/8 IPS x 1/2 IPS fixture coupler included in parts bag. If chandelier was supplied with a 1/4 IPS screw collar loop or threaded stem, contact Aladdin Light Lift (877) 287-4601 to obtain proper coupler. See [Diagram H](#).  
<https://youtu.be/-MARQGfesIQ>



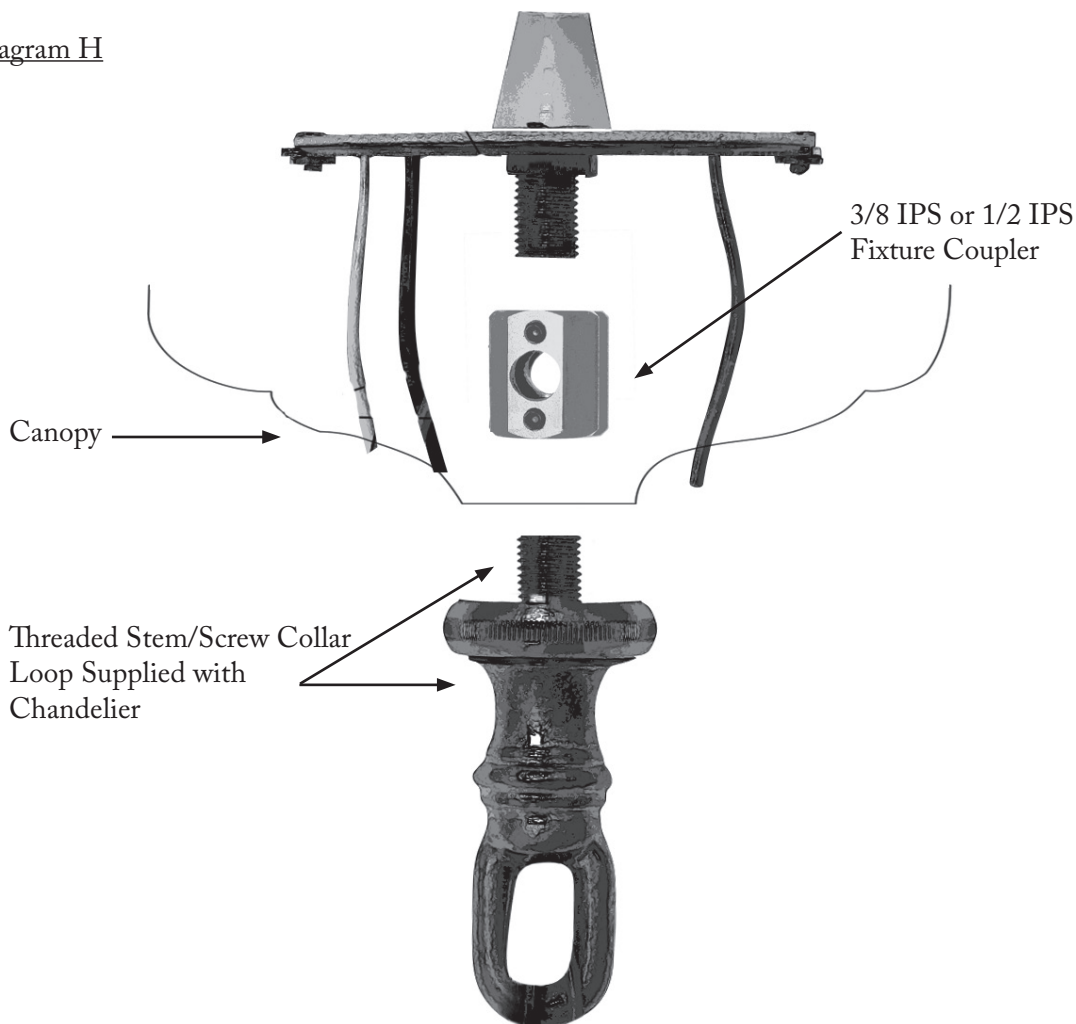
**!** Never install a chandelier on an ALL700 using metric threaded fittings. They will not thread together properly and could cause the chandelier to fall, which could cause death, personal injury, and/or property damage. Only use IPS threaded fittings.

**!** Never hang a chandelier from an ALL700 using anything but the Aladdin Light Lift supplied fixture coupler, bottom contact plate, and dowel pin. This could cause the chandelier to fall, which could cause death, personal injury, and/or property damage.

## STEP 21

Attach chandelier canopy to screw collar loop using screw collar rings. See [Diagram H](#).

[Diagram H](#)



## STEP 22

Adjust chandelier chain to desired length and attach to screw collar loop.

**!** Never cut, modify, or adjust the winch cable and never install an ALL700 with a cut, modified or adjusted winch cable. Adjust the chandelier elevation by adjusting the chandelier chain or stem. An ALL700 installed with a cut, modified, or improperly adjusted cable could cause the chandelier to fall, which could cause death, personal injury, and/or property damage.

## STEP 23

Adjust canopy and telescopic conduit assembly so contact plates meet before the canopy touches the ceiling. See Diagram I. <https://youtu.be/eQqLRÆxFq8>



**⚠ Never allow the chandelier canopy to make contact with the ceiling before the contact plates meet. This could interfere with the automatic shutoff system and could cause the chandelier to fall, which could cause death, personal injury, and/or property damage.**

## STEP 24

Loosen bottom screw collar ring to allow easy wire access. See Diagram I.

## STEP 25

Run chandelier wires through screw collar or threaded stem and pull through fixture coupler holes. See Diagram I. <https://youtu.be/-MARQGfesIQ>



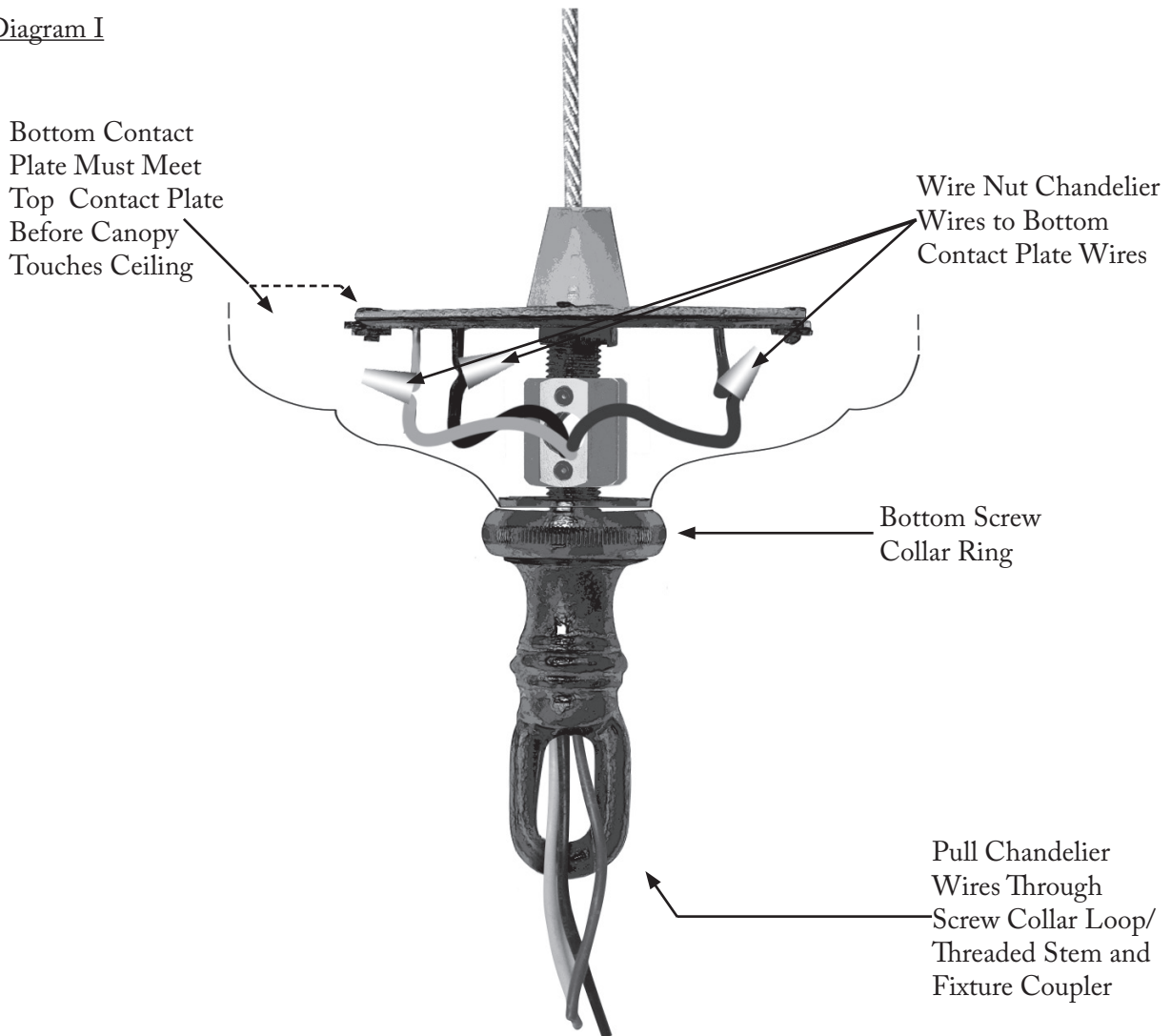
## STEP 26

Wire nut chandelier hot wire to black bottom contact plate wire, neutral to white, and ground to green. If the chandelier has two hot wires, wire extra hot to red wire. See Diagram I. Bare ground wire from chandelier can not touch underside of bottom contact plate. A direct short will occur.

<https://youtu.be/-MARQGfesIQ>



Diagram I



## STEP 27

Tighten fixture coupler set screws using supplied 3/32" Allen wrench. Fixture coupler set screws have thread lock already applied at factory. See Diagram K. <https://youtu.be/-MARQGfesIQ>



## STEP 28

Apply supplied liquid thread lock (part D) to all fittings including fixture coupler and screw collar loop fittings.



**Never attach the chandelier to the ALL700 improperly. Failure to secure the fixture coupler set screws and properly apply thread lock could cause the chandelier to fall, which could cause death, personal injury, and/or property damage.**

## STEP 29

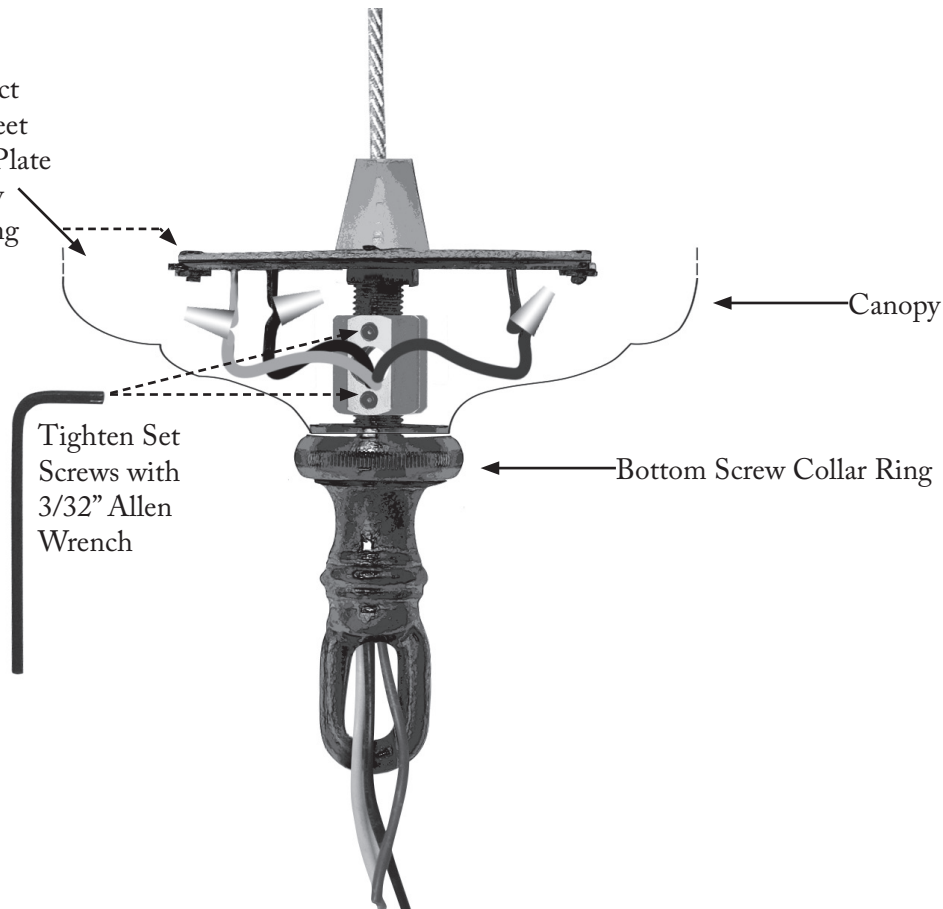
Replace canopy and screw collar ring. Confirm adjustment of canopy and telescopic conduit assembly allows contact plates to meet before the canopy touches the ceiling. See Diagram K. [https://youtu.be/GT\\_nwiZWa9o](https://youtu.be/GT_nwiZWa9o)



**Never allow the chandelier canopy to make contact with the ceiling before the contact plates meet. This could interfere with the automatic shutoff system and could cause the chandelier to fall, which could cause death, personal injury, and/or property damage.**

Diagram K

Bottom Contact  
Plate Must Meet  
Top Contact Plate  
Before Canopy  
Touches Ceiling



## STEP 30

Confirm winch cable still hangs plumb through center of hole in top contact plate on ceiling box. See STEP 9 and Diagram E. <https://youtu.be/IoMS5aDNN04>



## STEP 31

Operate ALL700 to the CEILING POSITION. Test lights and call Aladdin Light Lift (877) 287-4601 with any questions regarding installation and/or operation of ALL700. [https://youtu.be/GT\\_nwiZWa9o](https://youtu.be/GT_nwiZWa9o)



# ALL700 TROUBLESHOOTING GUIDE

**TECH SUPPORT: (877) 287-4601 Monday through Friday 8:00am to 4:00pm CST**

I. Troubleshooting and installation must be performed by a licensed, bonded, and insured electrician. Electricity can cause death, personal injury, and/or property damage.

II. To perform most troubleshooting procedures, the following tools will be needed:

- a. 5/16" nut driver or 5/16" socket and ratchet
- b. Volt Meter
- c. 14 AWG jumper wire

III. Prior to troubleshooting or installation, read, understand and follow each safety warning in the ALL700 installation instructions and safety precautions supplement. Failure to follow Aladdin's safety precautions and/or warnings could cause the chandelier to fall, which could cause death, injury, and/or property damage.

SYMPTOM: ALL700 DOES NOT OPERATE: <https://youtu.be/AcaCOVKDM3A>



Once ALL700 is installed per the installation instructions, use the following steps to troubleshoot.

1. Confirm motor switch in the square box is turned on. The square box is mounted on the chassis plate of the ALL700, right in front of the control board. If it was found in the off position, flip it to the on position and use the controller to test the ALL700. If ALL700 still does not operate, proceed to step 2.
2. Turn the motor and light switch in the square box to the off position. Using the 5/16" nut driver or socket, remove control board cover. Confirm motor fuse is good. The motor fuse is held to the control board by fuse clips and is located right in front of the motor assembly. Remove and perform a continuity test on the motor fuse. If the fuse reads continuity, place it back in the fuse clips. If it does not read continuity, it must be replaced with a good, 1.6 amp, slow blow fuse. Turn the motor and light switch in the square box to the on position, and use controller to test the ALL700. If the ALL700 still does not operate, proceed to step 3.
3. Turn the motor and light switch in the square box to the off position. Confirm limit switch wires are attached properly. Confirm the limit switch wires are properly connected to the limit switch as well as the limit switch terminals on the control board. The limit switch is located on top of the ceiling box. The purple or white limit switch wire should be plugged from COM on the control board to the single terminal side of one limit switch. The orange or green limit switch wire should be plugged from NO on the control board to the top limit switch terminal on the double terminal side of the limit switch. The brown or red limit switch wire should be plugged from NC on the control board to the bottom limit switch terminal on the double terminal side of the limit switch. If limit wires were found plugged incorrectly, plug them to their corresponding terminal and use the controller to test the ALL700. <https://youtu.be/AcaCOVKDM3A>  
If the ALL700 still does not operate, proceed to step 4.
4. From where the ALL700 is installed, call Aladdin Light Lift technical support Monday through Friday during normal business hours at (877) 287-4601.



SYMPTOM: CHANDELIER WILL NOT LIGHT:

Once the ALL700 is installed per the installation instructions, use the following steps to troubleshoot.

Note: If the top contact plate is painted, the chandelier will not light. The motor circuit must be hot in order for the lights to work.

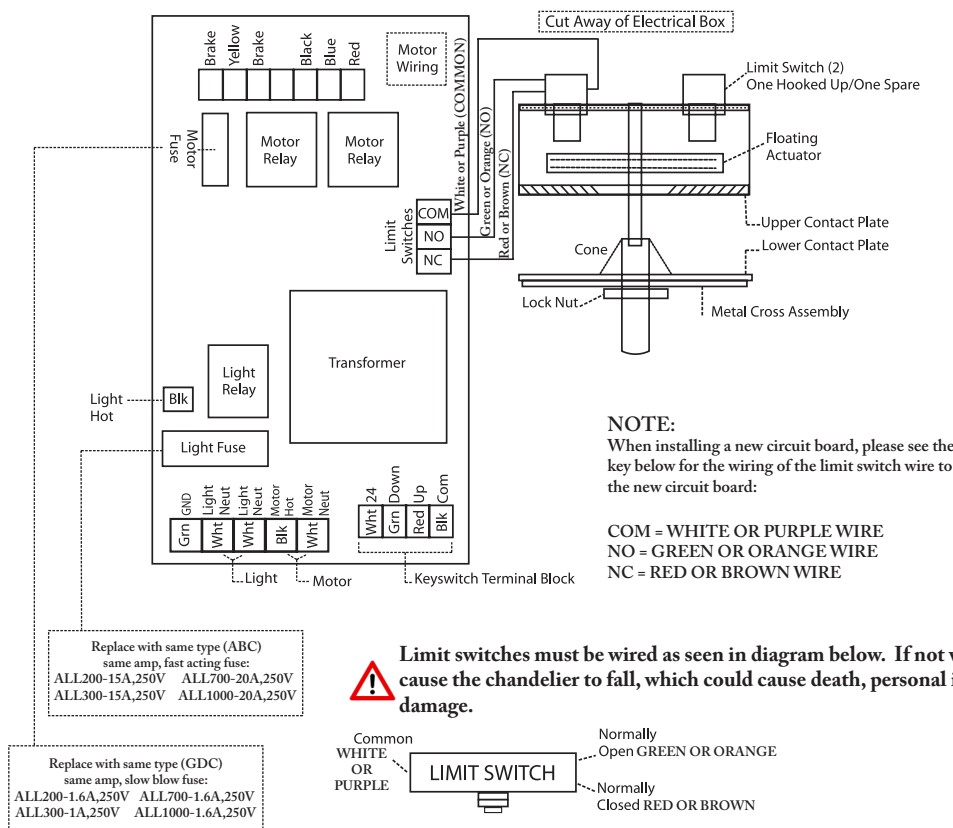
# ALL700 TROUBLESHOOTING GUIDE cont.

1. Confirm ALL700 is at the CEILING POSITION. If not, use the controller to operate the ALL700 to the CEILING POSITION. Chandelier will only light at the CEILING POSITION. If operated to the CEILING POSITION and the chandelier will still not light, proceed to step 2.
2. Confirm light and motor switch in the square box is turned on. The square box is mounted on the chassis plate of the ALL700, right in front of the control board. If it was found in the off position, flip it to the on position and to test the chandelier. If chandelier still does not light, proceed to step 3.
3. Turn the motor and light switch in the square box to the off position. Confirm light fuse is good. The light fuse is held to the control board by fuse clips and is located right in front of the light relay. Remove and perform a continuity test on the light fuse. If the fuse reads continuity, place it back in the fuse clips. If it does not read continuity, it must be replaced with a new, identical amperage, fast blow fuse. Turn the motor and light switch in the square box to the on position, and test the chandelier. If the chandelier still does not light, proceed to step 4.
4. From where the ALL700 is installed, call Aladdin Light Lift technical support Monday through Friday during normal business hours at (877) 287-4601. A voltage meter will be needed to further test the ALL700.

## SYMPTOM: ALL700 WILL NOT SHUT OFF PROPERLY AT CEILING POSITION:

Discontinue use immediately and contact Aladdin Light Lift at (877) 287-4601.

After all troubleshooting is complete, replace control board cover.





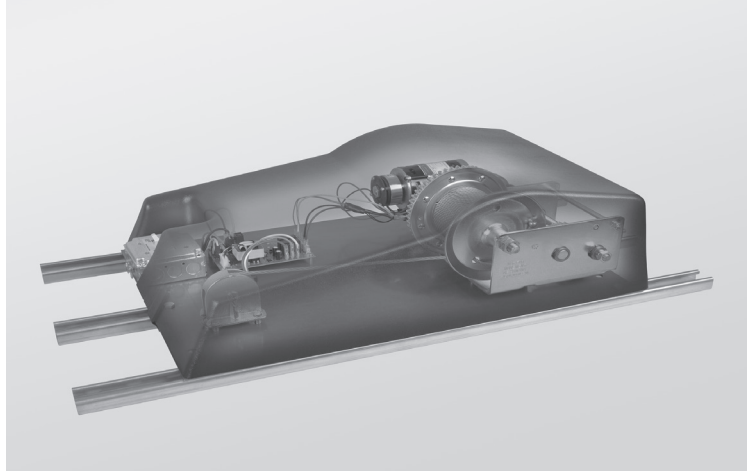
## **Warranty Agreement**

Aladdin Light Lift, Inc. warrants its chandelier light lift unit for one year from the date of purchase. The warranty includes all parts provided the unit is installed properly by a licensed electrician. Labor charges will be the responsibility of the purchaser. If the unit does not operate properly, the purchaser must contact a factory authorized service technician approved by Aladdin Light Lift, Inc. to determine if the unit was installed properly. The technician will furnish a written report to the purchaser and Aladdin concerning any problem with the lift system which will be binding on all parties concerned. All defective parts must be returned to Aladdin Light Lift, Inc. for the warranty to apply. Any alteration or by-passing of the electrical or mechanical system of exceeding the wattage maximum (as indicated on the lift) will void the warranty and can result in an electrical hazard. This warranty agreement showing date of purchase and distributor must be filled out at [www.aladdinlightlift.com/warranty-card.php](http://www.aladdinlightlift.com/warranty-card.php) within 30 days of purchase to validate the warranty. Call your distributor to obtain the name of a factory authorized technician in your area.

# ALADDIN®

## ALL1000/ALL1000-CM

### INSTALLATION INSTRUCTIONS



Aladdin® Light Lift, Inc.  
61 Shields Road  
Huntsville, AL 35811

(256) 429-9700  
(877) 287-4601  
[www.aladdinlightlift.com](http://www.aladdinlightlift.com)

Patent #5105349

WARNING: Disconnect power source before servicing to avoid electrical shock

CAUTION: To Reduce the Risk of Electric Shock or Injury, Use Indoors Only.

Light and motor circuits are rated at AC 110V

Pour usage seulement dans un endroit

Avec acces au dessus du plafonds



Model Number: ALL1000 (1000lb. rated working load, 7/32" steel galvanized lay cable, 1.67 amp, 50/60Hz)  
MC Cable (if checked)

Light lift is equipped with a 35' cable unless checked below:

65'  
90'  
120'

Light lift is equipped with a 2200 watt (20 amps)  
lighting capacity



\_\_\_\_\_  
Manufacture Date

© 2017 All Rights Reserved

Electric Hoist  
91F5

## **Read the following guidelines prior to installing the ALL1000:**

- I. The ALL1000 must be installed by a licensed, bonded and insured electrician.
- II. The ALL1000 must be installed level, in an accessible location and directly above the chandelier. If the lift must be mounted directly above the fixture and there is no access, provide and access panel or cut a whole underneath the light lift and cover with a removable medallion.
- III. For installation clarification, click the Youtube links or scan the QR codes located throughout the Installation Instructions.
- IV. During installation of the ALL1000, take one step at a time and check off each step upon completion.
- V. The Troubleshooting Guide is located in the back of the Installation Instructions. Call Aladdin Light Lift (877) 287-4601 if assistance is needed for installation and/or operation of the ALL1000. Refer to the Keyswitch Controller Guide or Smartlift Controller Guide for operation instructions.
- VI. Ignoring any safety warnings and/or symbols not only voids the warranty, but may cause death, personal injury and/or property damage.
- VII. The wattage of the chandelier can not exceed the wattage capacity of the ALL1000.
- VIII. The Warranty Agreement is located on the last page of Installation Instructions.
- IX. Give all Aladdin paperwork to property owner and/or anyone that will be using ALL1000.

## **ALL1000 Parts Bag List**



A. #10 x 1 1/4" Pan Phillips-Wood Screws (QTY 8)



B. 3/16" x 1" Fender Washers (QTY 8)



C. Thread Lock (QTY 1)



D. 3/32" Allen Wrench (QTY 1)



E. 3/8 IPS x 1/2 IPS Fixture Coupler (QTY 1)

## STEP 1

Determine where ALL1000 will mount on ceiling joists. ALL1000 must be installed level, in an accessible location directly above chandelier. [https://youtu.be/yLV\\_1HaU56Y](https://youtu.be/yLV_1HaU56Y)



**!** Never mount the ALL1000 off plane or unlevel in a standard installation. This could cause the chandelier to fall, which could cause death, personal injury, and/or property damage. The winch cable must hang plumb through the center of the top contact plate on the ceiling box.

**!** Never install the ALL1000 where the ceiling height exceeds five feet less than the exact length of winch cable. For example, if the ALL1000 is equipped with a 35ft. cable, do not install the ALL1000 in a ceiling that is greater than 30ft. This could cause the cable to become reverse wrapped on the winch. An ALL1000 installed with a reverse wrapped cable could cause the chandelier to fall, which could cause death, personal injury, and/or property damage. Winch cable length can be found on the ALL1000 product sticker, shipping box and the front page of these installation instructions.

## STEP 2

After turning off power, remove and discard existing electrical box if present in ceiling. Only use ceiling box provided with ALL1000. See Diagram A.

**!** Never remove an existing ceiling box while the power is connected. Electricity could cause death, personal injury, and/or property damage.

## STEP 3

Cut a 4 1/2" hole in ceiling for ceiling box. If you removed an existing ceiling box, existing hole may need to be enlarged.

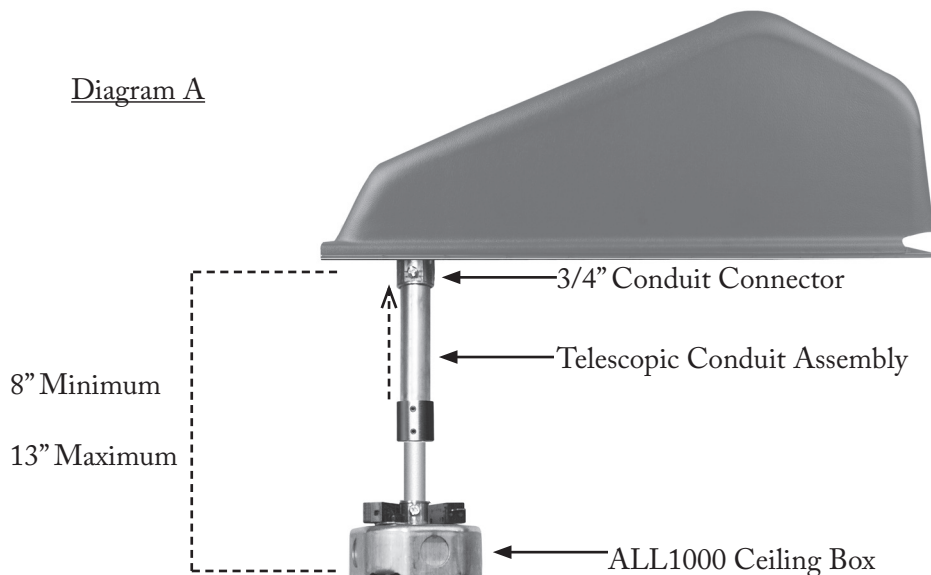
## STEP 4

Attach conduit assembly to 3/4" conduit connector mounted below pulley. Once completely inserted, tighten set screw on conduit connector. The minimum measurement from the bottom of the ceiling box up to the bottom of the channel strut is 8". Additional framing may be required to add depth and maintain adjustability of the conduit assembly. See Diagram A. <https://youtu.be/JghN8ECvTz4>



**!** Never attach or adjust the conduit assembly improperly. This could interfere with the automatic shutoff system and could cause the chandelier to fall, which could cause death, personal injury, and/or property damage.

Diagram A



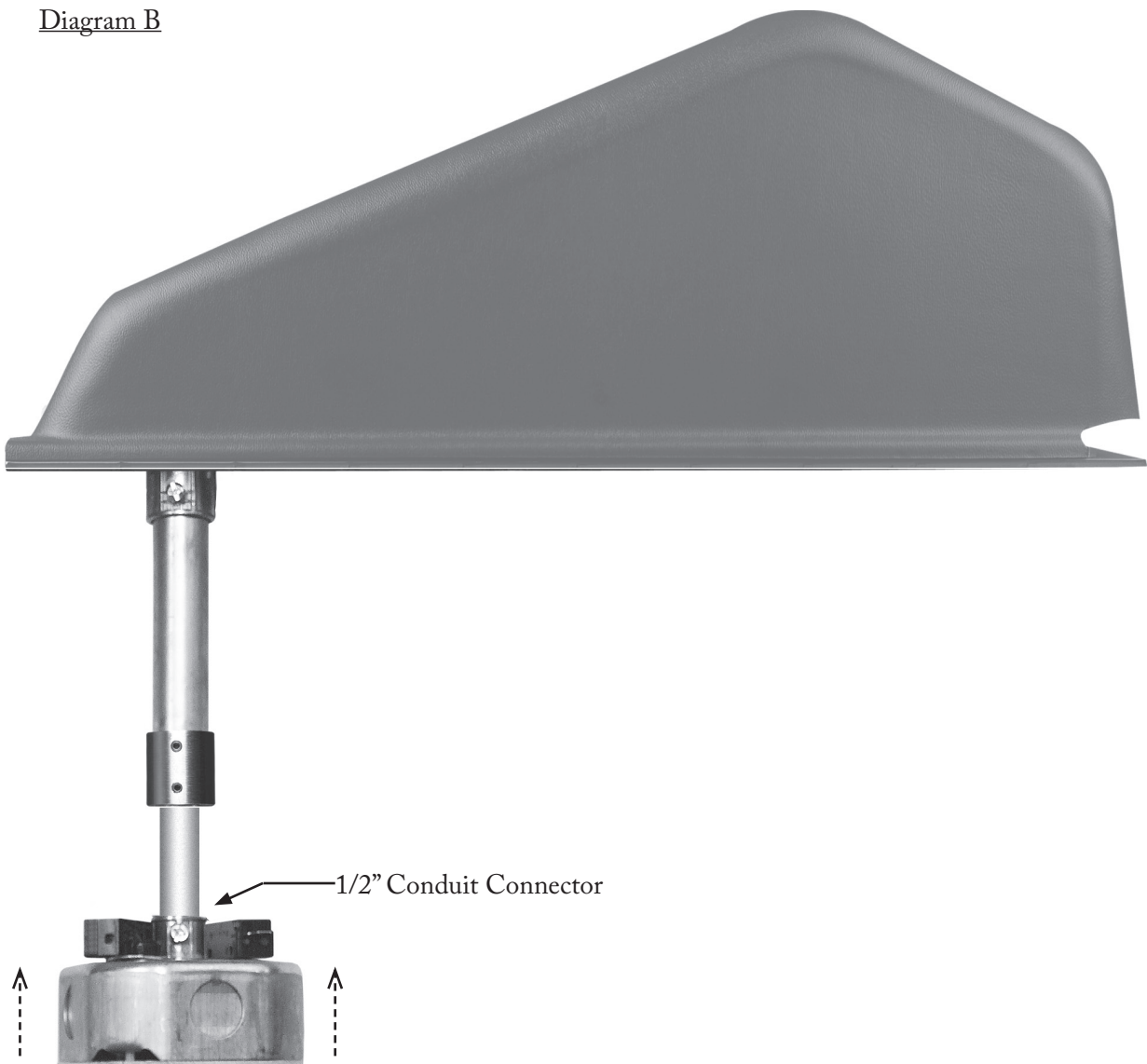
## STEP 5



Attach the 1/2" conduit connector on ceiling box to bottom of conduit assembly. Once completely inserted, tighten set screw on conduit connector. See Diagram B. <https://youtu.be/JgbN8ECvTz4>

**!** Never attach or adjust the conduit assembly improperly. This could interfere with the automatic shutoff system and could cause the chandelier to fall, which could cause death, personal injury, and/or property damage.

Diagram B



## STEP 6

Tighten temporary five pound weight to fixture coupler on bottom contact plate. Make sure jam nut on weight is tight.

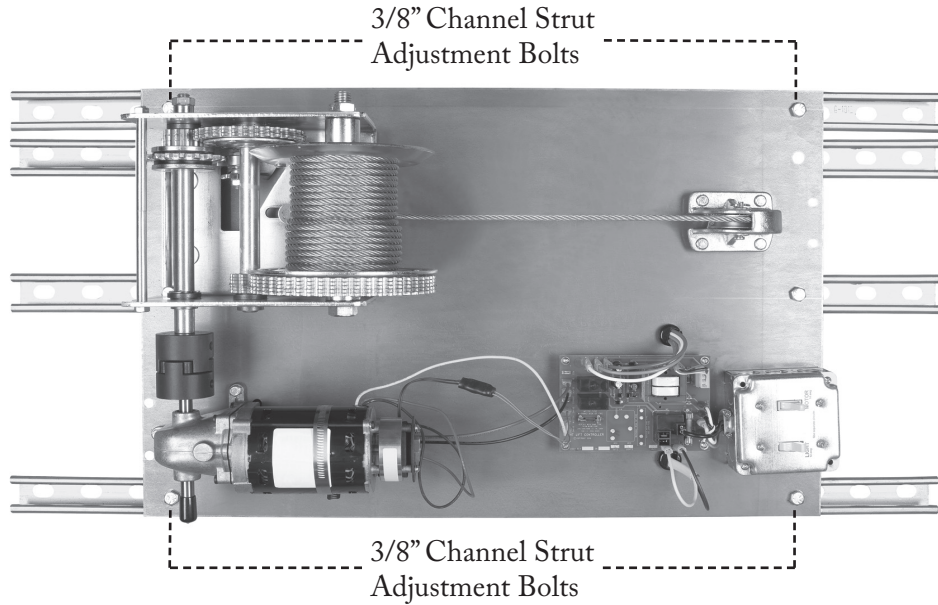
**!** Never install or operate an ALL1000 before securing the temporary five pound weight to the fixture coupler. This could cause the temporary weight to fall, which could cause death, personal injury, and/or property damage.

## STEP 7

Position ALL1000 where ceiling box will be centered in ceiling hole. Weight and bottom contact plate assembly should hang down through ceiling hole. Adjustments can be made loosening 3/8" channel strut bolts that hold ALL1000 to channel struts. Retighten channel strut bolts after adjustments are made. Confirm channel strut nuts are seated properly. See [Diagram C](#).

**!** Never adjust the channel struts improperly. This could cause the chandelier to fall, which could cause death, personal injury, and/or property damage.

[Diagram C](#)



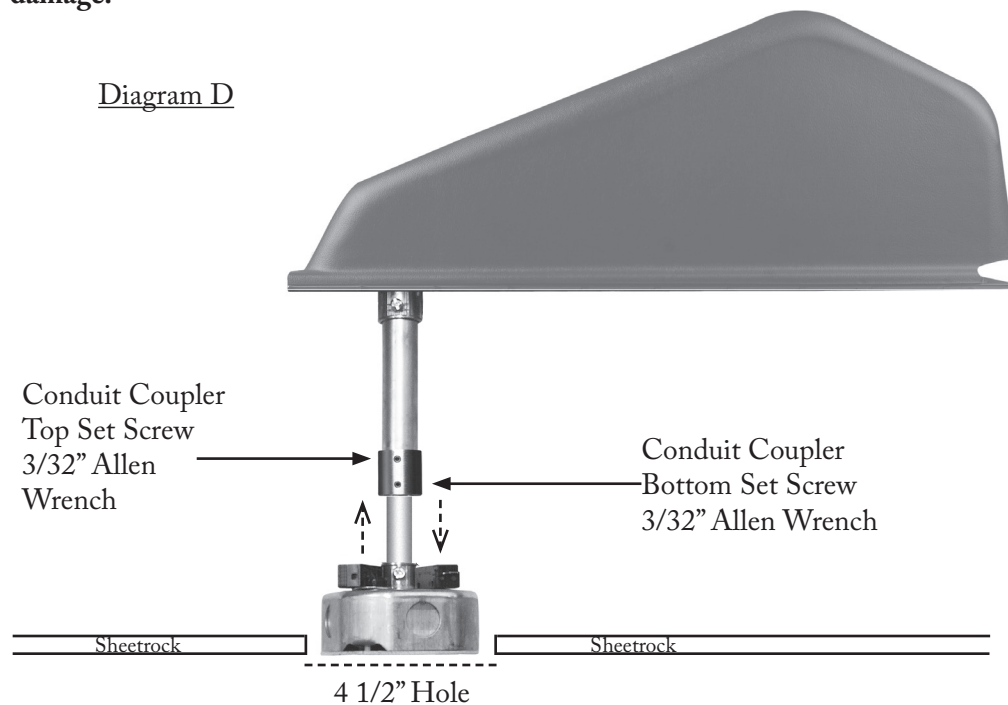
## STEP 8

Adjust ceiling box elevation up or down to be flush with sheetrock (this is a starting position, after the fixture is installed see step 23 for final adjustments). Use 3/32" Allen wrench on conduit coupler to loosen bottom set screw. Conduit assembly is telescopic. The ceiling box should not touch inside of ceiling hole. Retighten bottom set screw on conduit coupler and confirm top set screw is tight. See [Diagram D](#).  
<https://youtu.be/EbAGV2gLK2E>



**!** Never attach or adjust the conduit assembly improperly. This could interfere with the automatic shutoff system and could cause the chandelier to fall, which could cause death, personal injury, and/or property damage.

[Diagram D](#)





## STEP 9

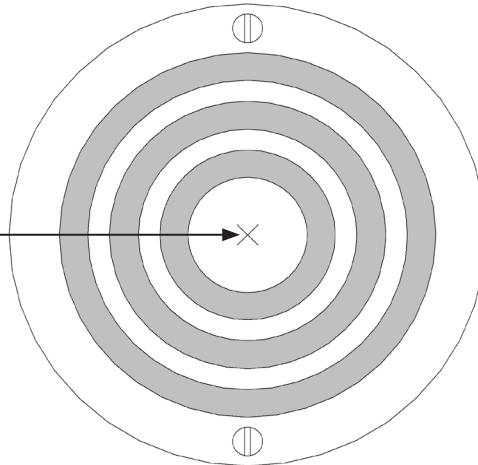
Shim and adjust ALL1000 so that winch cable hangs plumb through center of hole in top contact plate on ceiling box. See [Diagram E](#). Look up at ceiling box from floor level to verify cable is plumb.  
<https://youtu.be/wpEWWOCOVCM>



**!** Never install the ALL1000 where the cable is not plumb through the center of the ceiling box. This could interfere with the automatic shutoff system and could cause the chandelier to fall, which could cause death, personal injury, and/or property damage.

Diagram E

Confirm winch cable hangs plumb through center of hole in top contact plate on ceiling box.



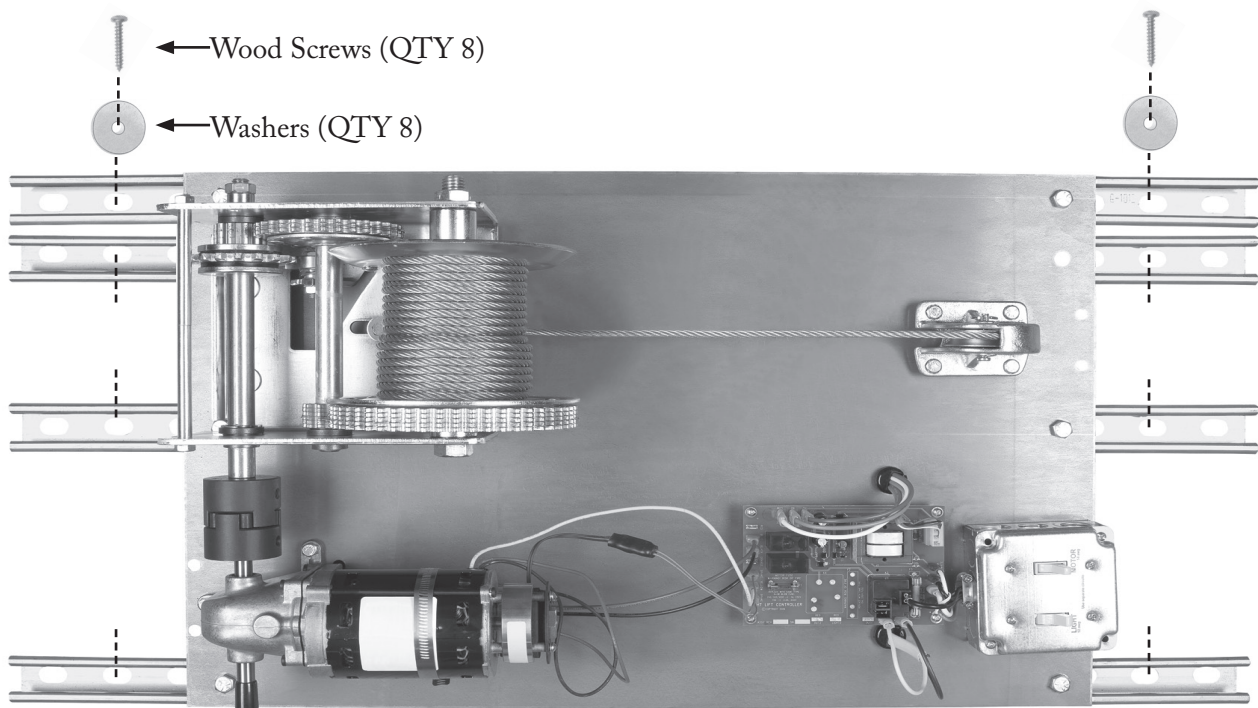
View from Floor Level

## STEP 10

Fasten ALL1000 to floor joists using wood screws (part A) and washers (part B) included in parts bag. See [Diagram F](#).

**!** Never install the ALL1000 without properly fastening it to the floor joists. This could interfere with the automatic shutoff system and could cause the chandelier to fall, which could cause death, personal injury, and/or property damage.

Diagram F



## STEP 11

Turn off supply power before wiring ALL1000. Turn off motor switch in square box. Wire motor switch with 110V wiring (cannot wire to an arc fault breaker). The 110V motor feed must be kept separate from 110V light switch leg. Keep motor and light neutrals separate. The lift's motor neutral is white and 14 gauge. Motor draws 2 amps or less at 110V. See Diagram G. <https://youtu.be/7TIXOAAKvUM?t=25s>



**!** Never wire the ALL1000 improperly. Make sure electricity is turned off when installing and/or performing maintenance on the ALL1000. Improper wiring and/or electricity could cause death, personal injury, and/or property damage.

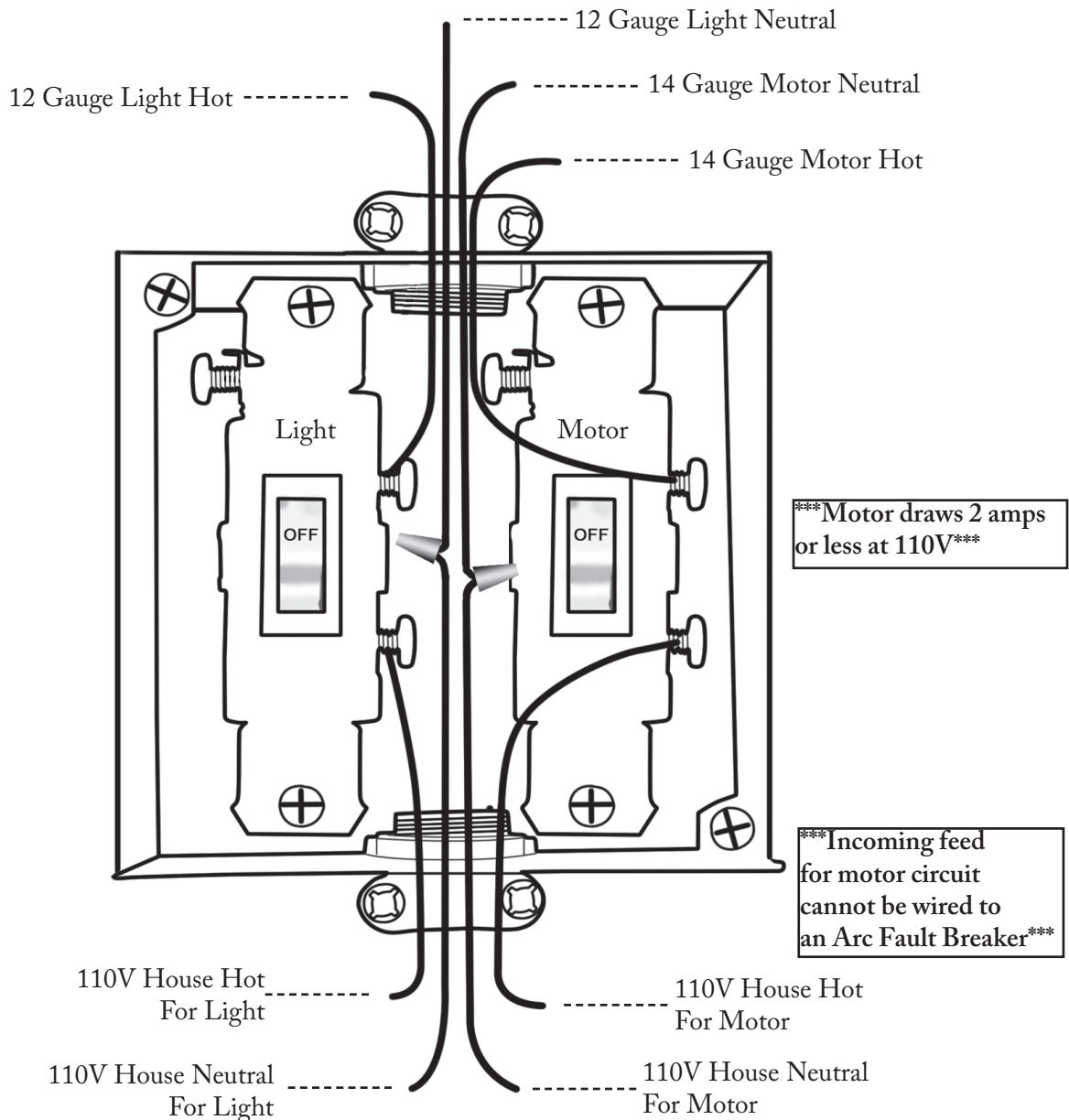
## STEP 12

Turn off supply power before wiring ALL1000. Turn off light switch in square box. Wire light switch with 110V wiring. The 110V light switch leg can not be used as motor feed. Keep light and motor neutrals separate. The lift's light neutral is white and 12 gauge. If wired properly, a dimmer may be used. Wire a two-circuit light package on separate phases for lights (2 hots - 1 neutral). See Diagram G. <https://youtu.be/7TIXOAAKvUM?t=25s>



**!** Never wire the ALL1000 improperly. Make sure electricity is turned off when installing and/or performing maintenance on the ALL1000. Improper wiring and/or electricity could cause death, personal injury, and/or property damage.

Diagram G



## STEP 13

Remove dust cover and remove paper tape from winch drum while keeping tension on winch cable.



**Never operate the ALL1000 without tension on the cable. Never remove or tamper with the cable safety device. Never install an ALL1000 that has the cable safety device removed or tampered with. The cable safety device consists of the limit switch and small gauge rectangular wire. It is located directly in front of the winch drum. Removing or tampering with the cable safety device could cause the cable to become reversed wrapped on the winch. This could also cause the cable to unravel off the winch drum and get damaged. Never install or operate an ALL1000 that has a frayed, kinked, or otherwise damaged cable. Never operate the ALL1000 without first removing the paper tape from the winch drum. Avoiding any of these safety warnings could cause the chandelier to fall, which could cause death, personal injury, and/or property damage.**

## STEP 14

Replace dust cover and locate controller wire. Controller wire is a low voltage, gray sheathed, four conductor wire with white plugs on either end.

## STEP 15

Run controller wire in to single gang box for SmartLift Controller. Chandelier must be visible from controller location. <https://youtu.be/7TIXOAAKvUM>



## STEP 16

Plug controller to controller wire. Use supplied cover plate screws to attach controller to single gang box.

## STEP 17

Ensure paper tape is removed from winch drum (Step 13). Test motor and automatic shut-off system of ALL1000. For operation instruction, reference SmartLift Controller Guide, then follow below:

Operate ALL1000 down a few inches. Operate ALL1000 up to CEILING POSITION. When ALL1000 pulls bottom contact plate and temporary weight to CEILING POSITION, the motor will, if installed and mounted properly, shut off by itself. <https://youtu.be/AcaCOVKDM3A>



Call Aladdin Light Lift (877) 287-4601 immediately if ALL1000 does not shut off at CEILING POSITION.



**Never extend the full length of winch cable from the ALL1000. This could cause the cable to become reverse wrapped on the winch. An ALL1000 installed with a reverse wrapped cable can cause the chandelier to fall, which could cause death, personal injury, and/or property damage. Refer to the Keyswitch or SmartLift Controller tag for correct operating instructions. Winch cable length can be found on the ALL1000 product sticker, shipping box and the front page of these installation instructions.**

## STEP 18

Run ALL1000 down until temporary weight is at desired elevation to hang chandelier.

## STEP 19

Holding tension on cable, unscrew weight from fixture coupler.



**Never operate the ALL1000 without tension on the cable. This could cause the cable to wind off the winch drum and get damaged. A damaged cable could cause the chandelier to fall, which could cause death, personal injury, and/or property damage.**

## STEP 20

Fully thread screw collar loop or threaded stem that was supplied with chandelier to 3/8 IPS fixture coupler. If chandelier was supplied with a 1/2 IPS screw collar loop, obtain 3/8 IPS x 1/2 IPS fixture coupler included in parts bag. If chandelier was supplied with a 1/4 IPS screw collar loop or threaded stem, contact Aladdin Light Lift (877) 287-4601 to obtain proper coupler. See Diagram H.  
<https://youtu.be/-MARQGfesIQ>



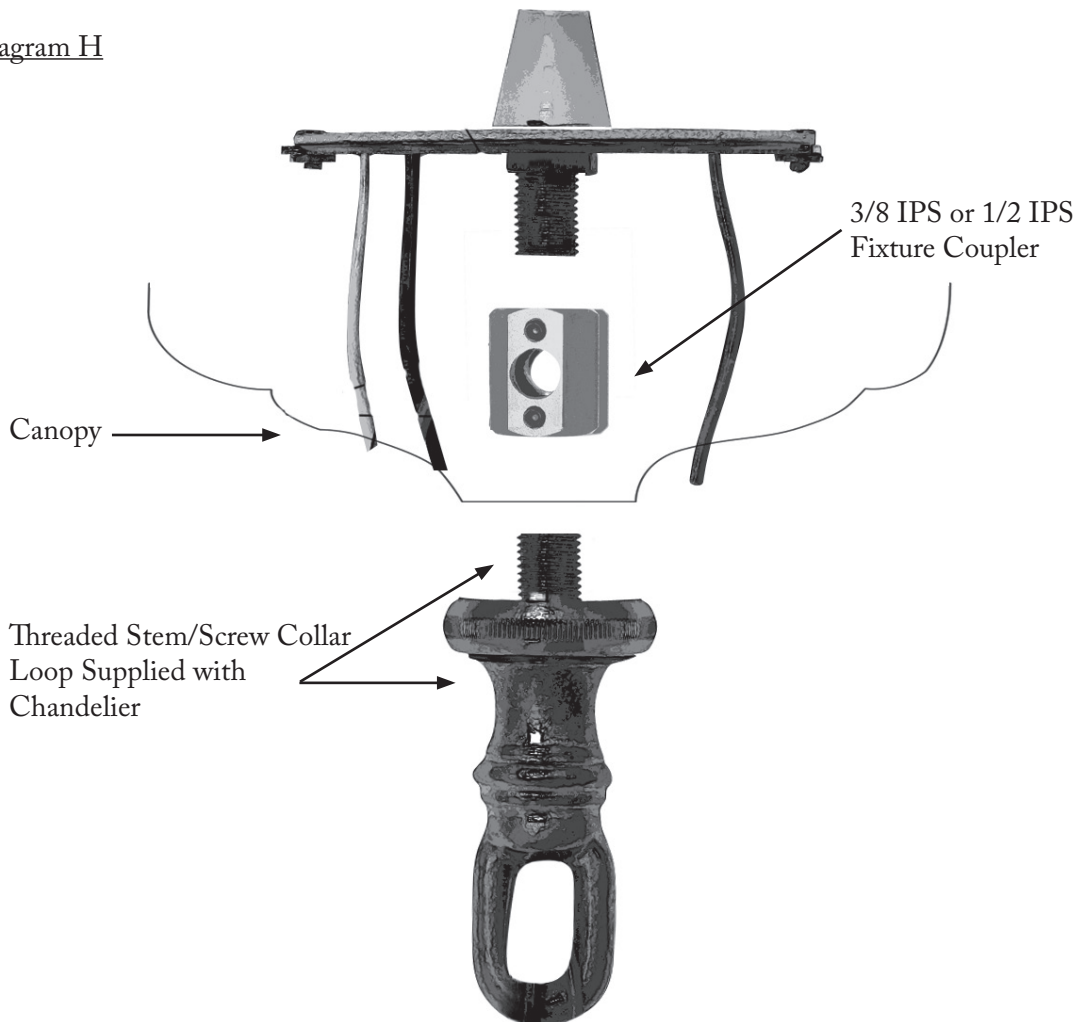
**!** Never install a chandelier on an ALL1000 using metric threaded fittings. They will not thread together properly and could cause the chandelier to fall, which could cause death, personal injury, and/or property damage. Only use IPS threaded fittings.

**!** Never hang a chandelier from an ALL1000 using anything but the Aladdin Light Lift supplied fixture coupler, bottom contact plate, and dowel pin. This could cause the chandelier to fall, which could cause death, personal injury, and/or property damage.

## STEP 21

Attach chandelier canopy to screw collar loop using screw collar rings on both top and bottom. An extra screw collar ring (part C) is supplied in parts bag. See Diagram H.

Diagram H



## STEP 22

Adjust chandelier chain to desired length and attach to screw collar loop.

**!** Never cut, modify, or adjust the winch cable and never install an ALL1000 with a cut, modified or adjusted winch cable. Adjust the chandelier elevation by adjusting the chandelier chain or stem. An ALL1000 installed with a cut, modified, or improperly adjusted cable could cause the chandelier to fall, which could cause death, personal injury, and/or property damage.

## □ STEP 23

Adjust canopy and telescopic conduit assembly so contact plates meet before the canopy touches the ceiling. See Diagram I. <https://youtu.be/eQqLRAexFq8>



**⚠** Never allow the chandelier canopy to make contact with the ceiling before the contact plates meet. This could interfere with the automatic shutoff system and could cause the chandelier to fall, which could cause death, personal injury, and/or property damage.

## □ STEP 24

Loosen bottom screw collar ring to allow easy wire access. See Diagram I.

## □ STEP 25

Run chandelier wires through screw collar or threaded stem and pull through fixture coupler holes. See Diagram I. <https://youtu.be/-MARQGfesIQ>



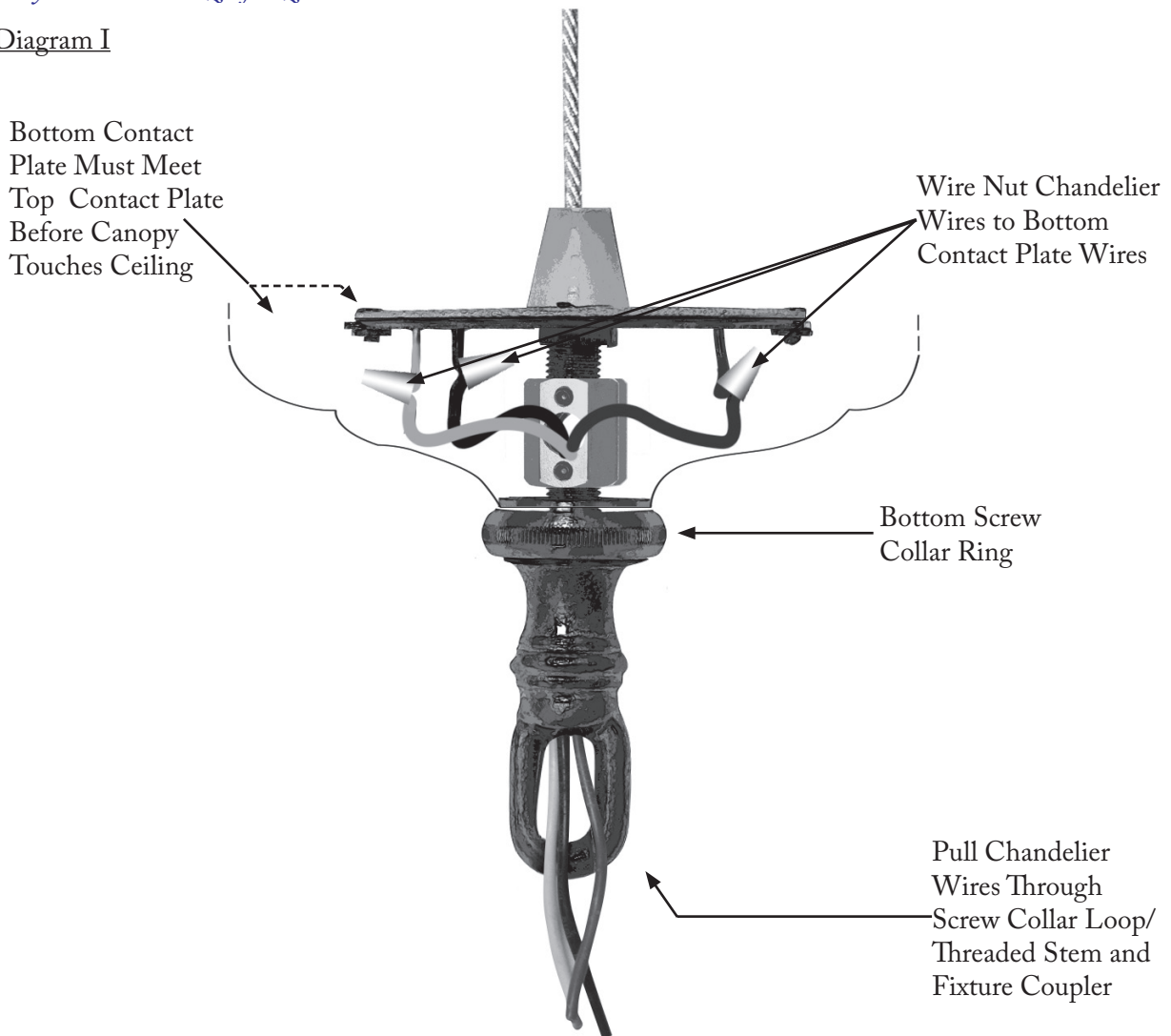
## □ STEP 26

Wire nut chandelier hot wire to black bottom contact plate wire, neutral to white, and ground to green. If the chandelier has two hot wires, wire extra hot to red wire. See Diagram I. Bare ground wire from chandelier can not touch underside of bottom contact plate. A direct short will occur.

<https://youtu.be/-MARQGfesIQ>



Diagram I





## STEP 27

Tighten fixture coupler set screws using supplied 3/32" Allen wrench. Fixture coupler set screws have thread lock already applied at factory. See Diagram K. <https://youtu.be/-MARQGfesIQ>



## STEP 28

Apply supplied liquid thread lock (part D) to all fittings including fixture coupler and screw collar loop fittings.



**Never attach the chandelier to the ALL1000 improperly. Failure to secure the fixture coupler set screws and properly apply thread lock could cause the chandelier to fall, which could cause death, personal injury, and/or property damage.**

## STEP 29

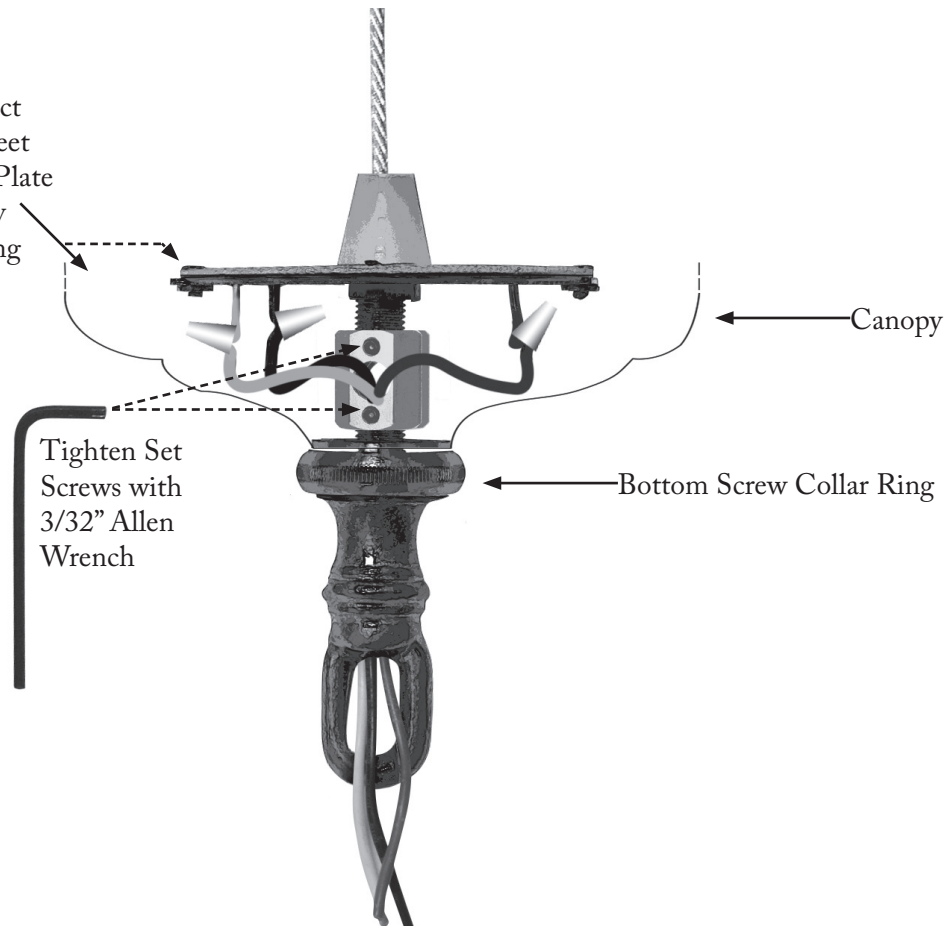
Replace canopy and screw collar ring. Confirm adjustment of canopy and telescopic conduit assembly allows contact plates to meet before the canopy touches the ceiling. See Diagram K. [https://youtu.be/GT\\_nwiZWa9o](https://youtu.be/GT_nwiZWa9o)



**Never allow the chandelier canopy to make contact with the ceiling before the contact plates meet. This could interfere with the automatic shutoff system and could cause the chandelier to fall, which could cause death, personal injury, and/or property damage.**

Diagram K

Bottom Contact Plate Must Meet Top Contact Plate Before Canopy Touches Ceiling



## STEP 30

Confirm winch cable still hangs plumb through center of hole in top contact plate on ceiling box. See STEP 9 and Diagram E. <https://youtu.be/IoMS5aDNN04>



## STEP 31

Operate ALL1000 to the CEILING POSITION. Test lights and call Aladdin Light Lift (877) 287-4601 with any questions regarding installation and/or operation of ALL1000. [https://youtu.be/GT\\_nwiZWa9o](https://youtu.be/GT_nwiZWa9o)





# ALL1000 TROUBLESHOOTING GUIDE

**TECH SUPPORT: (877) 287-4601 Monday through Friday 8:00am to 4:00pm CST**

I. Troubleshooting and installation must be performed by a licensed, bonded, and insured electrician. Electricity can cause death, personal injury, and/or property damage.

II. To perform most troubleshooting procedures, the following tools will be needed:

- a. 5/16" nut driver or 5/16" socket and ratchet
- b. Volt Meter
- c. 14 AWG jumper wire

III. Prior to troubleshooting or installation, read, understand and follow each safety warning in the ALL1000 installation instructions and safety precautions supplement. Failure to follow Aladdin's safety precautions and/or warnings could cause the chandelier to fall, which could cause death, injury, and/or property damage.

SYMPTOM: ALL1000 DOES NOT OPERATE: <https://youtu.be/AcaCOVKDM3A>



Once ALL1000 is installed per the installation instructions, use the following steps to troubleshoot.

1. Confirm motor switch in the square box is turned on. The square box is mounted on the chassis plate of the ALL1000, right in front of the control board. If it was found in the off position, flip it to the on position and use the controller to test the ALL1000. If ALL1000 still does not operate, proceed to step 2.

2. Turn the motor and light switch in the square box to the off position. Using the 5/16" nut driver or socket, remove control board cover. Confirm motor fuse is good. The motor fuse is held to the control board by fuse clips and is located right in front of the motor assembly. Remove and perform a continuity test on the motor fuse. If the fuse reads continuity, place it back in the fuse clips. If it does not read continuity, it must be replaced with a good, 1.6 amp, slow blow fuse. Turn the motor and light switch in the square box to the on position, and use controller to test the ALL1000. If the ALL1000 still does not operate, proceed to step 3.

3. Turn the motor and light switch in the square box to the off position. Confirm limit switch wires are attached properly. Confirm the limit switch wires are properly connected to the limit switch as well as the limit switch terminals on the control board. The limit switch is located on top of the ceiling box. The purple or white limit switch wire should be plugged from COM on the control board to the single terminal side of one limit switch. The orange or green limit switch wire should be plugged from NO on the control board to the top limit switch terminal on the double terminal side of the limit switch. The brown or red limit switch wire should be plugged from NC on the control board to the bottom limit switch terminal on the double terminal side of the limit switch. If limit wires were found plugged incorrectly, plug them to their corresponding terminal and use the controller to test the ALL1000. <https://youtu.be/AcaCOVKDM3A> If the ALL1000 still does not operate, proceed to step 4.



4. From where the ALL1000 is installed, call Aladdin Light Lift technical support Monday through Friday during normal business hours at (877) 287-4601.

SYMPTOM: CHANDELIER WILL NOT LIGHT:

Once the ALL1000 is installed per the installation instructions, use the following steps to troubleshoot.

Note: If the top contact plate is painted, the chandelier will not light. The motor circuit must be hot in order for the lights to work.

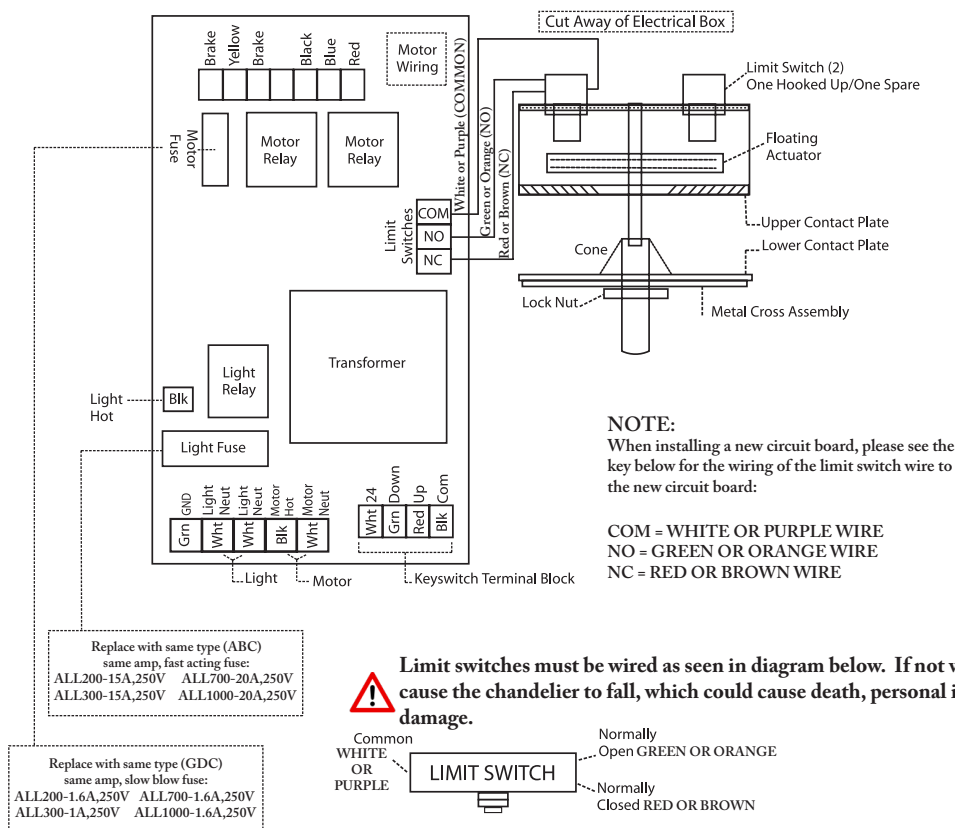
# ALL1000 TROUBLESHOOTING GUIDE cont.

1. Confirm ALL1000 is at the CEILING POSITION. If not, use the controller to operate the ALL1000 to the CEILING POSITION. Chandelier will only light at the CEILING POSITION. If operated to the CEILING POSITION and the chandelier will still not light, proceed to step 2.
2. Confirm light and motor switch in the square box is turned on. The square box is mounted on the chassis plate of the ALL1000, right in front of the control board. If it was found in the off position, flip it to the on position and to test the chandelier. If chandelier still does not light, proceed to step 3.
3. Turn the motor and light switch in the square box to the off position. Confirm light fuse is good. The light fuse is held to the control board by fuse clips and is located right in front of the light relay. Remove and perform a continuity test on the light fuse. If the fuse reads continuity, place it back in the fuse clips. If it does not read continuity, it must be replaced with a new, identical amperage, fast blow fuse. Turn the motor and light switch in the square box to the on position, and test the chandelier. If the chandelier still does not light, proceed to step 4.
4. From where the ALL1000 is installed, call Aladdin Light Lift technical support Monday through Friday during normal business hours at (877) 287-4601. A voltage meter will be needed to further test the ALL1000.

## SYMPTOM: ALL1000 WILL NOT SHUT OFF PROPERLY AT CEILING POSITION:

Discontinue use immediately and contact Aladdin Light Lift at (877) 287-4601.

After all troubleshooting is complete, replace control board cover.



## **Warranty Agreement**

Aladdin Light Lift, Inc. warrants its chandelier light lift unit for one year from the date of purchase. The warranty includes all parts provided the unit is installed properly by a licensed electrician. Labor charges will be the responsibility of the purchaser. If the unit does not operate properly, the purchaser must contact a factory authorized service technician approved by Aladdin Light Lift, Inc. to determine if the unit was installed properly. The technician will furnish a written report to the purchaser and Aladdin concerning any problem with the lift system which will be binding on all parties concerned. All defective parts must be returned to Aladdin Light Lift, Inc. for the warranty to apply. Any alteration or by-passing of the electrical or mechanical system of exceeding the wattage maximum (as indicated on the lift) will void the warranty and can result in an electrical hazard. This warranty agreement showing date of purchase and distributor must be filled out at [www.aladdinlightlift.com/warranty-card.php](http://www.aladdinlightlift.com/warranty-card.php) within 30 days of purchase to validate the warranty. Call your distributor to obtain the name of a factory authorized technician in your area.