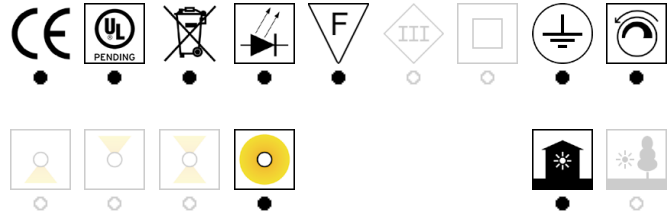


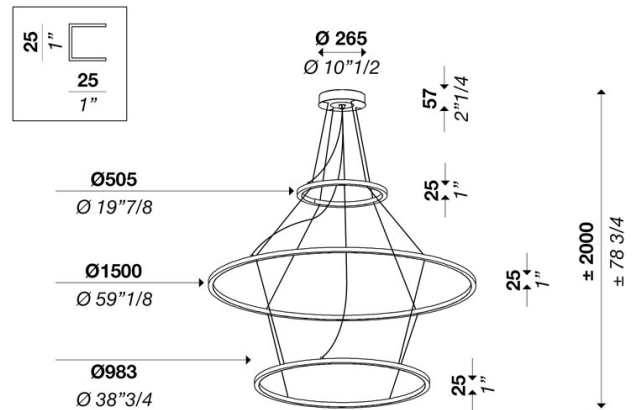
CIRCUS multiround v2 1-10V 100-277V

ver. 20200404_Rev_0

year: 2015
code: 2730340S20000
type: hanging lamp
application: indoor



Technical drawing
Size ref. image mm - inch



Technical data

Light source	LED
Circuit structure	LED strip
Light emission direction	diffused
Power	219 W
Source lumens	30660 lm
Source efficacy	140 lm/W
Consumption	247 W
Delivered lumens	20340 lm
Luminaire efficacy	82 lm/W
Secondary	24 V
Colour temperature	3000 K / variants page 2
Colour rendering index	80 CRI / variants page 2
Standard Deviation of Colour Matching	3 SDCM
Energy class	A
Safety class	I
Degree of protection	IP 20
Direct mounting on normally flammable surfaces	●
Operating temperature	+10° / +40°
CE	●
UL	○
Optional	
Emergency mode	○
Motion sensor	○
Directional	○

Packing

Net weight	
Packaging 1	L4200 x W4200 x H230 mm / 3.60 kg
Packaging 2	L1610 x W1640 x H150 mm / 11.80 kg
Packaging 3	
Packaging 4	
Packaging 5	

Structure

Material	aluminium
Finish	white / variants page 2

Diffuser

Material	polycarbonate
Finish	opal / variants page 2

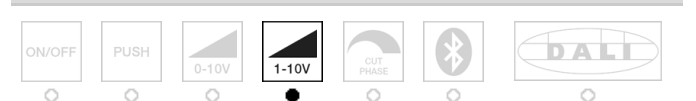
Canopy

Size	265 mm - 10" 1/2 inch
Height	57 mm - 2" 1/4 inch
Ceiling mount	conical / variants page 2

Electronics / Driver

Included	Yes
Quantity	2
Voltage	100-277V 50/60 Hz

Dimmable



Hanging cables

Stainless steel cables standard length (custom available)	2000 mm / 78" 3/4
Electric cable standard length (custom available)	2500 mm/100"

Warranty

Duration	2 years
----------	---------

CIRCUS multiround v2 1-10V 100-277V

ver. 20200404_Rev_0

year: **2015**
code: **2730340S20000**
type: **hanging lamp**
application: **indoor**

Available variants

Colour temperature

2700 k 3000 k 3500 k 4000 k custom



Colour rendering index

CRI 80 CRI 90 CRI 95 custom



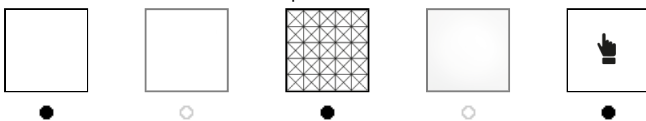
Structure finish

gold / brass matt white matt black embossed white embossed black custom



Diffuser / Optical

opal transparent transparent prismatic satin custom



Ceiling Mount

direct perpendicular conical remote driver custom

