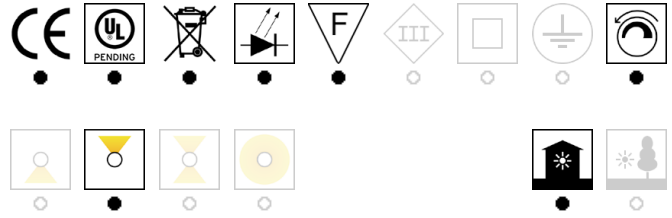


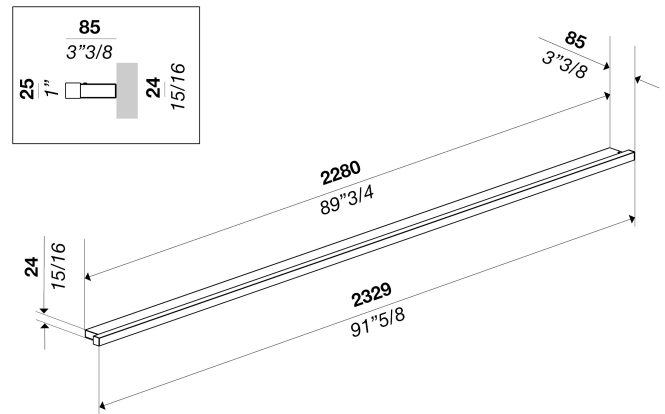
RITMO W2300 uplight 0-10V 100-277V

ver. 20200911_Rev_0

year: **2020**
code: **2570103S20100**
type: **wall lamp**
application: **indoor**



Technical drawing
Size ref. image mm - inch



Technical data	
Light source	LED
Circuit structure	LED strip
Light emission direction	indirect
Power	55 W
Source lumens	8250 lm
Source efficacy	150 lm/W
Consumption	61 W
Delivered lumens	5612 lm
Luminaire efficacy	92 lm/W
Secondary	1200mA
Colour temperature	3000 K / variants page 2
Colour rendering index	90 CRI / variants page 2
Standard Deviation of Colour Matching	3 SDCM
Energy class	D
Safety class	I
Degree of protection	IP 20
Direct mounting on normally flammable surfaces	●
Operating temperature	+10° / +40°
CE	●
UL	○
Optional	
Emergency mode	○
Motion sensor	○
Directional	○
Packing	
Net weight	
Packaging 1	
Packaging 2	
Packaging 3	
Packaging 4	
Packaging 5	

Structure	
Material	aluminium
Finish	white / variants page 2
Diffuser	
Material	polycarbonate
Finish	opal / variants page 2
Canopy	
Size	○
Height	○
Ceiling mount	direct

Electronics / Driver	
Included	Yes
Quantity	1
Voltage	100-277V 50/60 Hz

Dimmable	
ON/OFF	○
PUSH	○
0-10V	●
1-10V	○
CUT PHASE	○
Bluetooth	○
DALI	○

Hanging cables	
Stainless steel cables standard length (custom available)	○
Electric cable standard length (custom available)	-

Warranty	
Duration	2 years

RITMO W2300 uplight 0-10V 100-277V

ver. 20200911_Rev_0

year: **2020**
code: **2570103S20100**
type: **wall lamp**
application: **indoor**

Available variants

Colour temperature

2700 k 3000 k 3500 k 4000 k custom



Colour rendering index

CRI 80 CRI 90 CRI 95 custom



Structure finish

gold / brass matt white matt black embossed white embossed black



Diffuser / Optical

opal opal prismatic transparent transparent prismatic satin custom

