

# **ANNULAR LED**

**ASSEMBLY INSTRUCTION**

**W0UD**

# **ASSEMBLY INSTRUCTION**

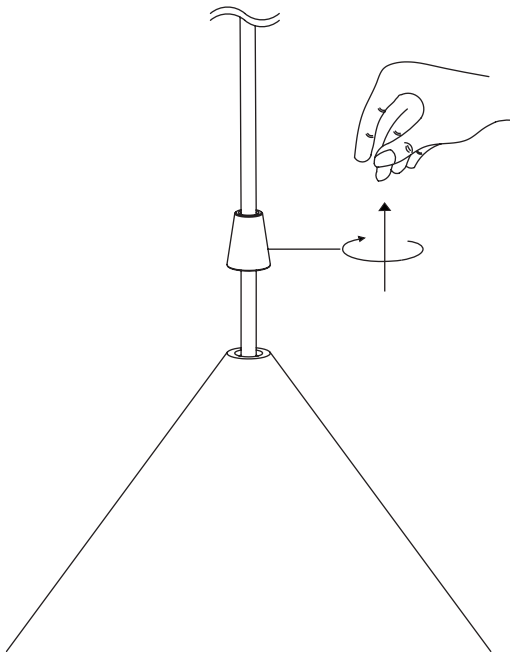
**PLEASE GO THROUGH THE FOLLOWING  
STEPS CAREFULLY. RETAIN THIS MANUAL  
FOR FUTURE REFERENCE TO ENSURE THAT  
YOUR NEW ITEM IS CORRECTLY ASSEMBLED  
IN CASE IT SHOULD BE DISASSEMBLED OR  
MOVED. WE ARE NOT RESPONSIBLE FOR  
ANY FAULTS OR DAMAGES CAUSED BY  
NOT FOLLOWING THESE INSTRUCTIONS  
CORRECTLY.**

## **TECHNICAL INFORMATION**

**CHANGEABLE LED LIGHT SOURCE  
LIFE EXPECTANCY: 50.000 HOURS  
ENERGY CLASS: G**

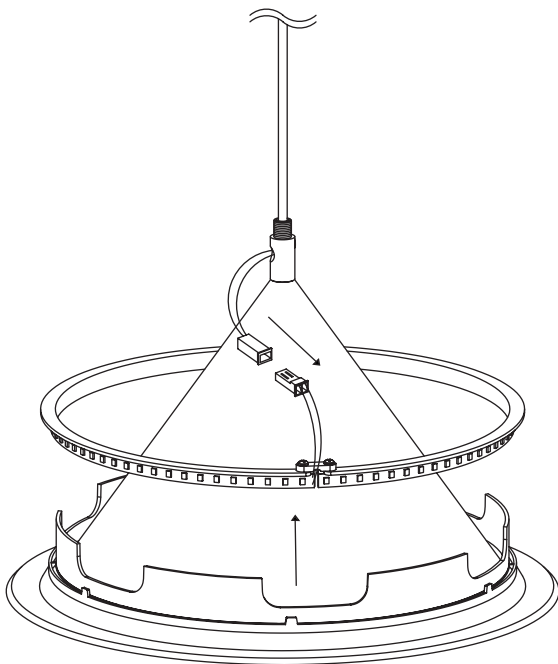
# STEP 1

USE ONLY YOUR FINGERS TO SCREW OFF TOP OF LAMP SHADE  
REMOVE TOP LAYER OF LAMP SHADE



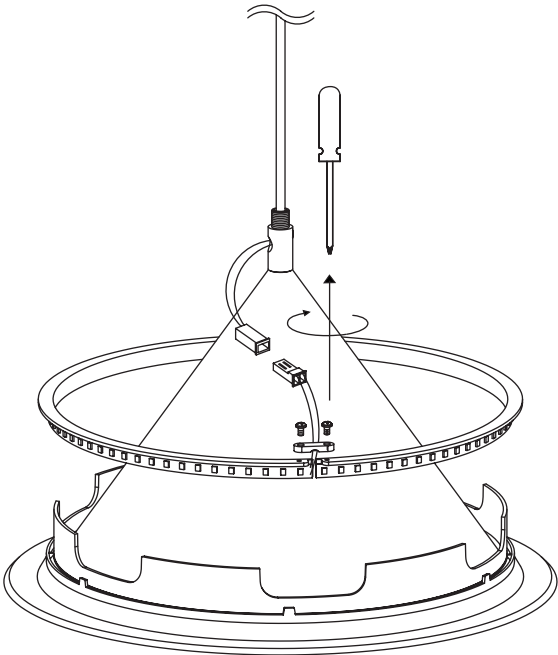
## STEP 2

LIFT UP LED RING AND DISCONNECT IT



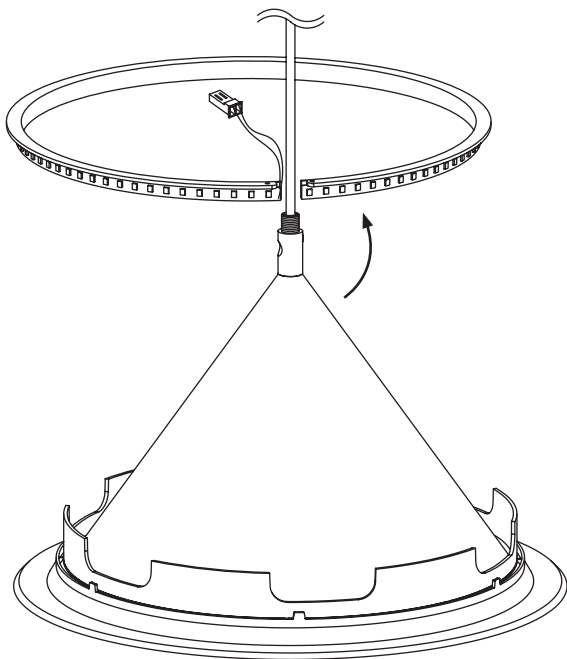
# STEP 3

REMOVE SCREWS



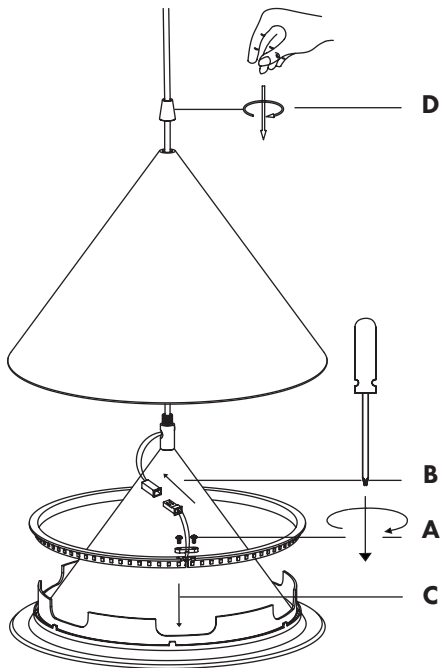
## STEP 4

REMOVE LED RING



## STEP 5

- A: ASSEMBLE THE NEW LED RING WITH SCREWS**   **B: CONNECT LED RING**  
**C: ATTATCH LED RING IN LAMP**   **D: SCREW BACK TOP OF LAMPSHADE**



# **SAFETY INSTRUCTIONS**

**DISCONNECT POWER BEFORE  
INSTALLATION OF THE LUMINAIRE.**

**IF THE EXTERNAL FLEXIBLE CABLE OR CORD OF THIS  
LUMINAIRE IS DAMAGED, IT SHALL BE EXCLUSIVELY  
REPLACED BY THE MANUFACTURER OR SIMILAR  
QUALIFIED PERSON IN ORDER TO AVOID A HAZARD.**

**THE LAMP IS ONLY INTENDED FOR INTERIOR USE.**

**LAMP EXTERIOR CAN GET HOT AFTER PROLONGED USE.**

**PROTECT FROM CONTACT WITH LIQUIDS.**

**DO NOT PLACE THE CABLE IN REACH OF SMALL  
CHILDREN OR ANYWHERE THERE IS A RISK OF  
FALLING OVER IT.**

**WARNING: MUST BE INSTALLED BY  
A LICENCED ELECTRICIAN.**