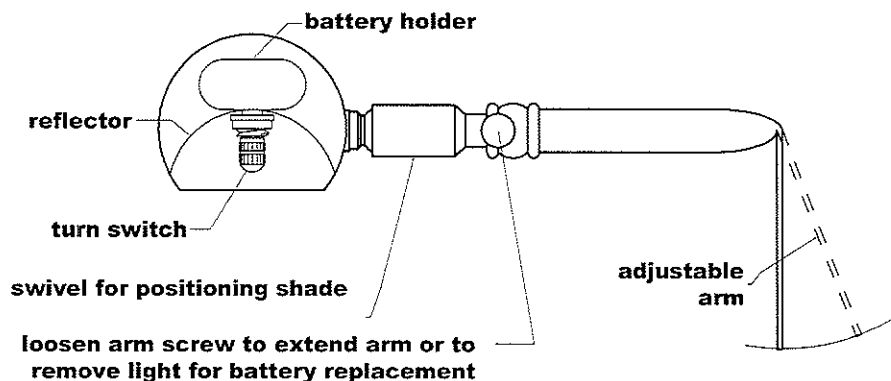




63974 ABLED 19 May 15

Advent Cordless LED Picture Lights - ABLED7 and ABLED14



INSTALLATION:

Attach the picture light to the back of your picture frame or to the wall using at least two screws (provided).

ADJUSTMENT:

You can adjust the position of the shade in three ways, as shown above.

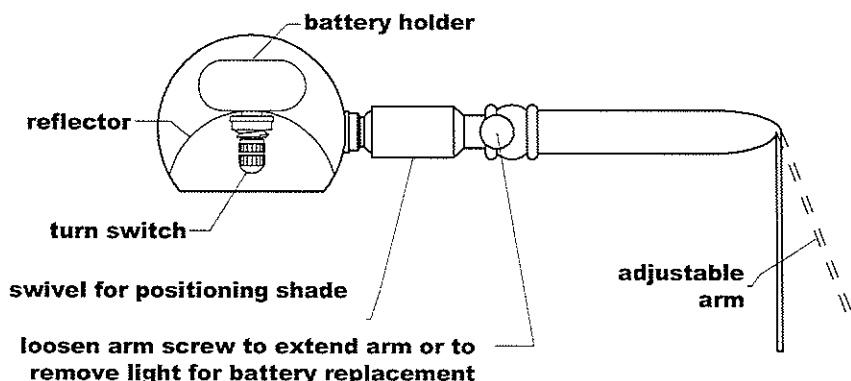
BATTERY INSTALLATION:

- Loosen the arm screw and remove the picture light
- Gently squeeze either end of the shade and remove the endcap
- Slide out the reflector/battery assembly
- Dispose of old batteries if applicable
- Insert new AA batteries exactly as shown on the sticker near the battery holder. (Failure to do so may cause excessive heat and leaking of caustic chemicals.)
- There are two battery holders in an ABLED14. You may put batteries in only one holder, or in both. The light will be as bright either way, but each battery change will last twice as long if you fill both holders.
- Reverse the steps above to re-assemble and install the light.



63974 ABLED 19 May 15

Advent Cordless LED Picture Lights - ABLED7 and ABLED14



INSTALLATION:

Attach the picture light to the back of your picture frame or to the wall using at least two screws (provided).

ADJUSTMENT:

You can adjust the position of the shade in three ways, as shown above.

BATTERY INSTALLATION:

- Loosen the arm screw and remove the picture light
- Gently squeeze either end of the shade and remove the endcap
- Slide out the reflector/battery assembly
- Dispose of old batteries if applicable
- Insert new AA batteries exactly as shown on the sticker near the battery holder. (Failure to do so may cause excessive heat and leaking of caustic chemicals.)
- There are two battery holders in an ABLED14. You may put batteries in only one holder, or in both. The light will be as bright either way, but each battery change will last twice as long if you fill both holders.
- Reverse the steps above to re-assemble and install the light.